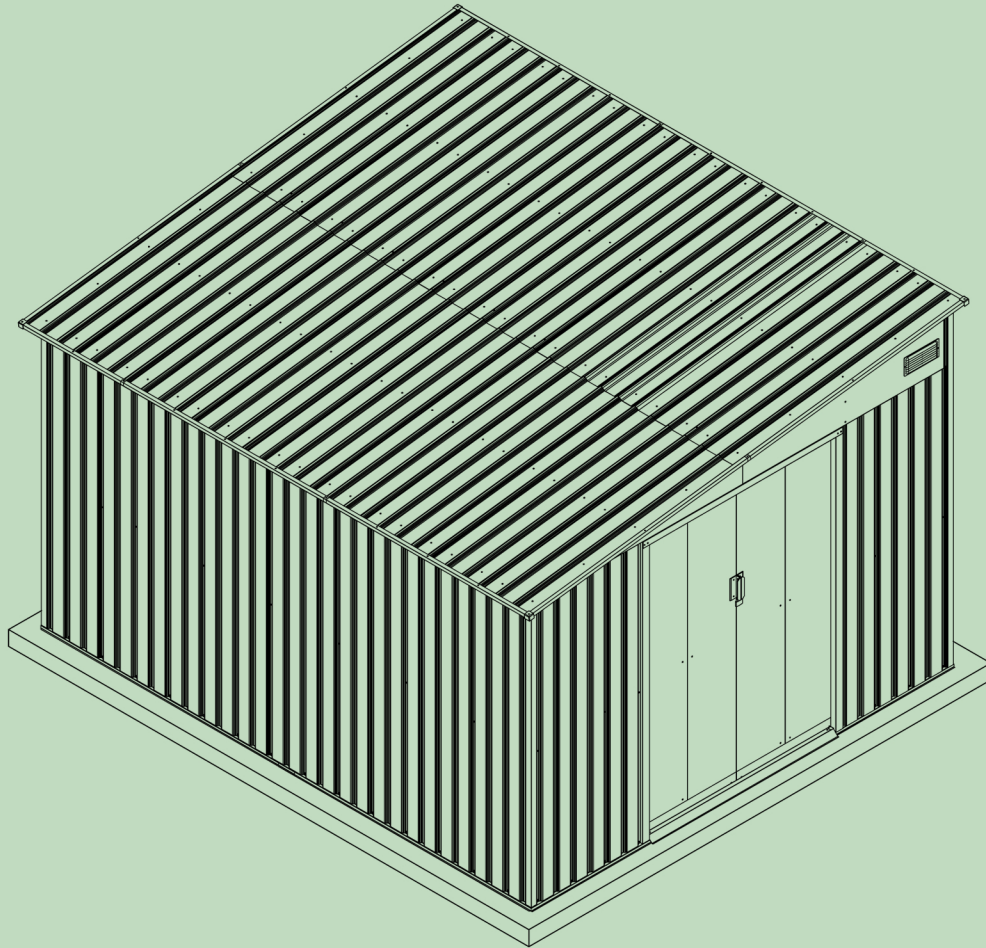


## Assembly Instructions

Product size: 279x321x203cm (9.1x10.5 FT)



(Instructions for installing doors on the **RIGHT**)

**IMPORTANT TO FOLLOW THESE ASSEMBLY INSTRUCTIONS**

**IMPORTANT, RETAIN FOR FUTURE REFERENCE**

**READ CAREFULLY**

Requires two people and takes 4-5 hours for Installation.

## Assembly Preparation

### Before you begin:

Please check local building codes regarding footings, location and other requirements before beginning construction.

Reviewing all instructions and the appropriate information before you begin, make sure following the step sequence carefully for successful results.

### Safety & Precautions:

- Select a suitable level ground that is suitable for the size of your shed at your property.
- The owner must use Safety gloves provided when erecting your shed ( 2 pairs are provided with your shed )
- Your shed is supplied in multiple boxes for safe handling
- Your shed is DIY shed. Do not attempt to assemble the shed on a windy day.
- It is recommended to plan at least one whole day for the assembly of your shed by 2 persons.
- A suitable ladder will be required to assemble your shed - we recommend you take necessary precautions to avoid injury.
- Be cautious with the tools used for the assembly of the shed .Familiarize yourself with the operation of all the power tools.
- For floor covering, the owner can purchase flooring material locally. We have supplied the foundation kit with the shed which can be used as floor base. Instructions about how to assemble foundation kit and how to fix flooring to the foundation kit are included in the manual.

### Location and Base:

A good location for the storage building is a square and level area with good drainage.

The base is not included in the kit which may need purchase separately or may construct a foundation and anchoring system of your own. The recommended base size about 10 cm larger than the bottom rail of the shed.

A strong plastic sheet (thickness: at least 150µm) should be placed under the foundation to assist in reducing rising dampness from the soil, thus reducing condensation build up in the shed.

Your storage building **must be anchored** to prevent wind damage. Once secured, it is highly recommended applying silicone along the inside of the base rail to minimize condensation.

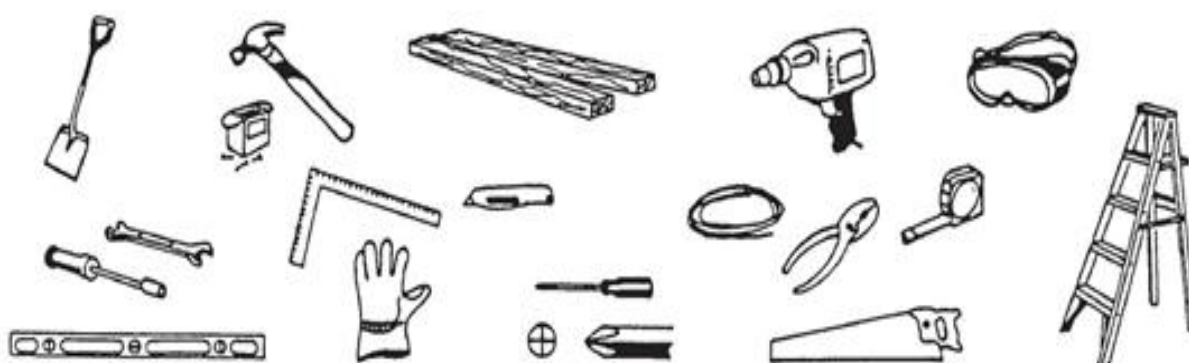
### Parts and Parts List:

Before you start, separate and identify all the parts and hardware to be sure that you have all the necessary parts for your building (refer to the Parts List Page).

Do not attempt to assemble the building if parts are missing because any building left partially assembled may be seriously damaged by light winds.

### Personal Tools you will Need:

( Please tear off the safety protection layer before the assembly, keep the part number label if needed )

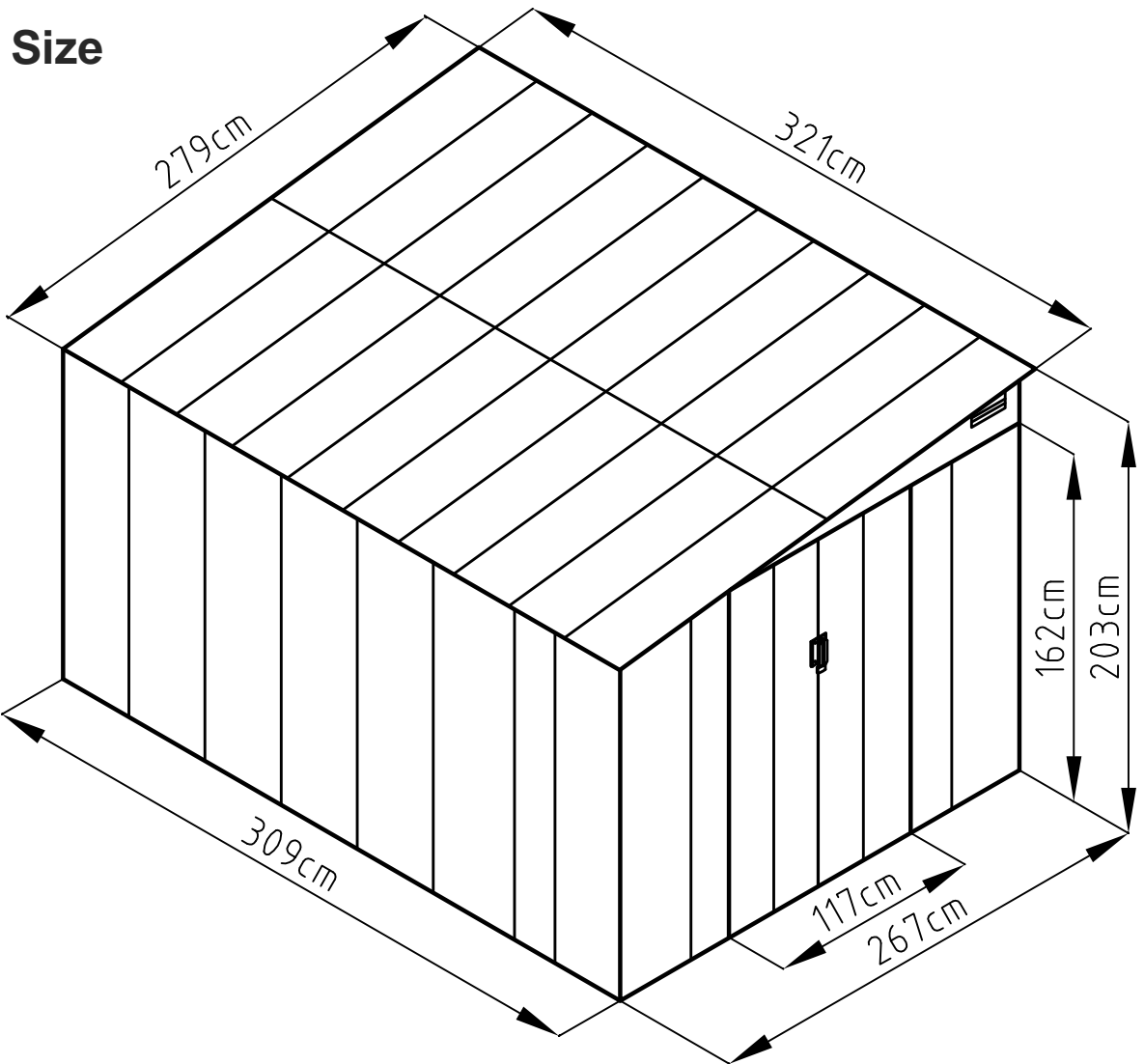


### Safety must be put in the No. 1 position:

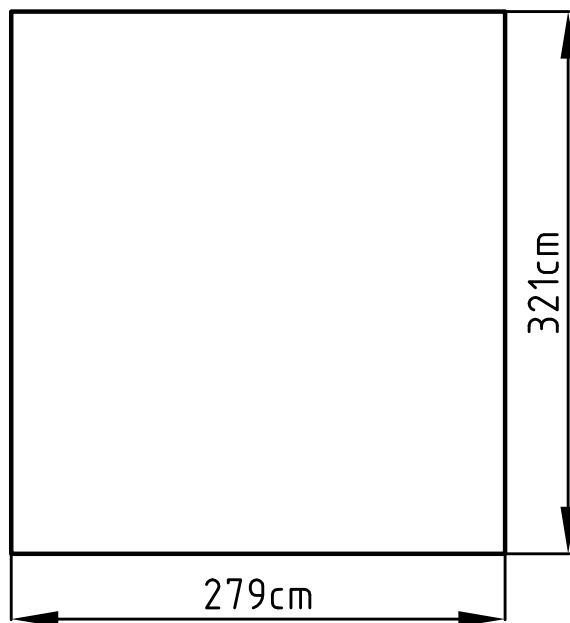
1. Select a dry and calm day for your assembly.
2. Team works (2 or more people) are required during the assembly. It is also recommended to finish the assembly in a day to avoid damage to the product or missing of some small parts.
3. Wearing safety gloves, eye protection and long sleeves during the assembly to prevent injury. Pay attention to the sharp edge of some parts.
4. Children and pets are not allowed entering into the construction site.
5. Never concentrate your total weight on the roof of the building.  
When using a step ladder make sure that it is safe.

### Care & Maintenance:

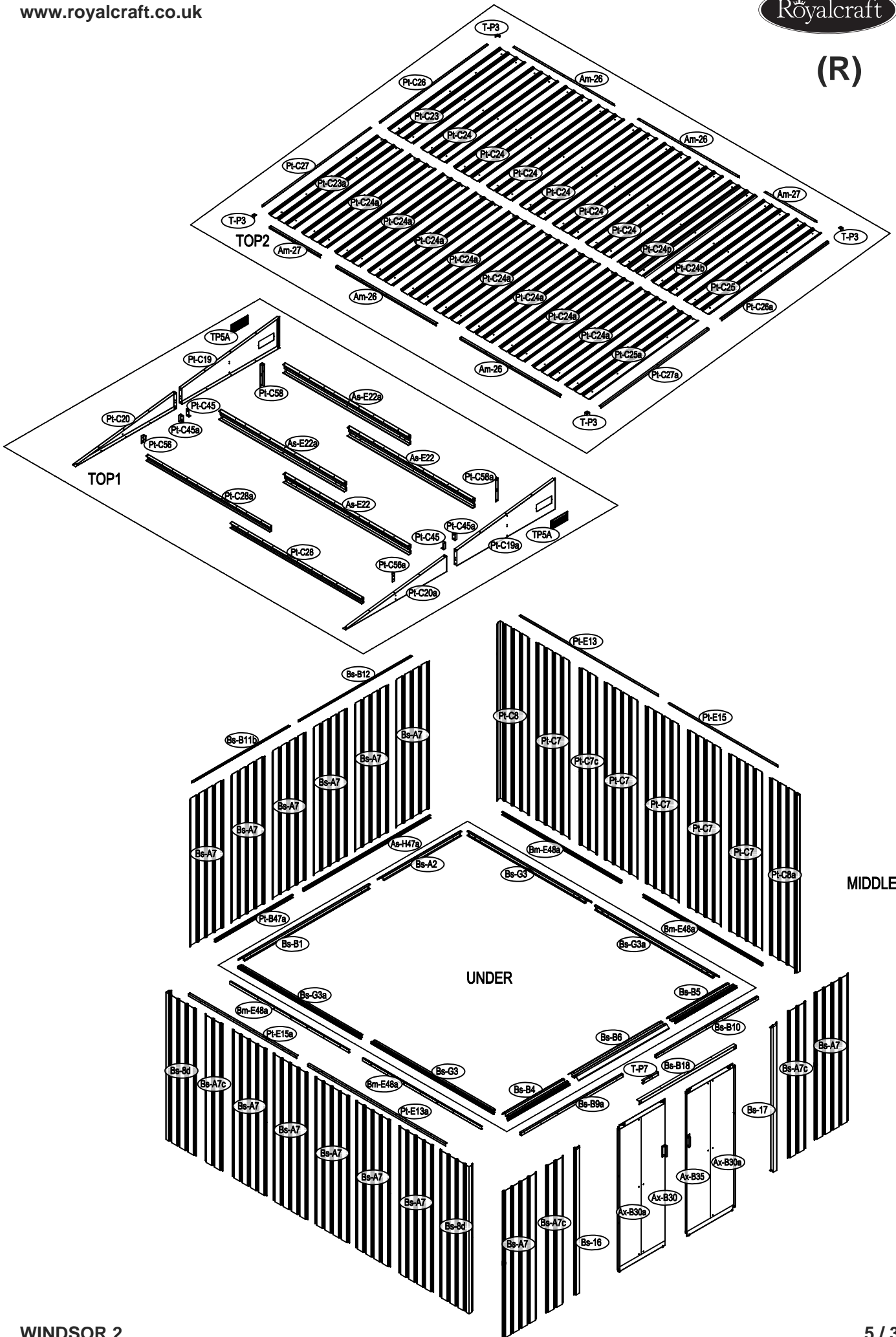
1. Keep the shed clean with soft cloth, use water if necessary.
2. Keep the door tracks clear of dirt and other stuff that prevent them from sliding easily.
3. Clean the snow with necessary tools to make sure it is safe to enter into.
4. The shed is not made for living but storing stuff.
5. Please add some oil on the top and bottom door sliding channel to make door slides smoothly.
















































**Area of installation requirement:**

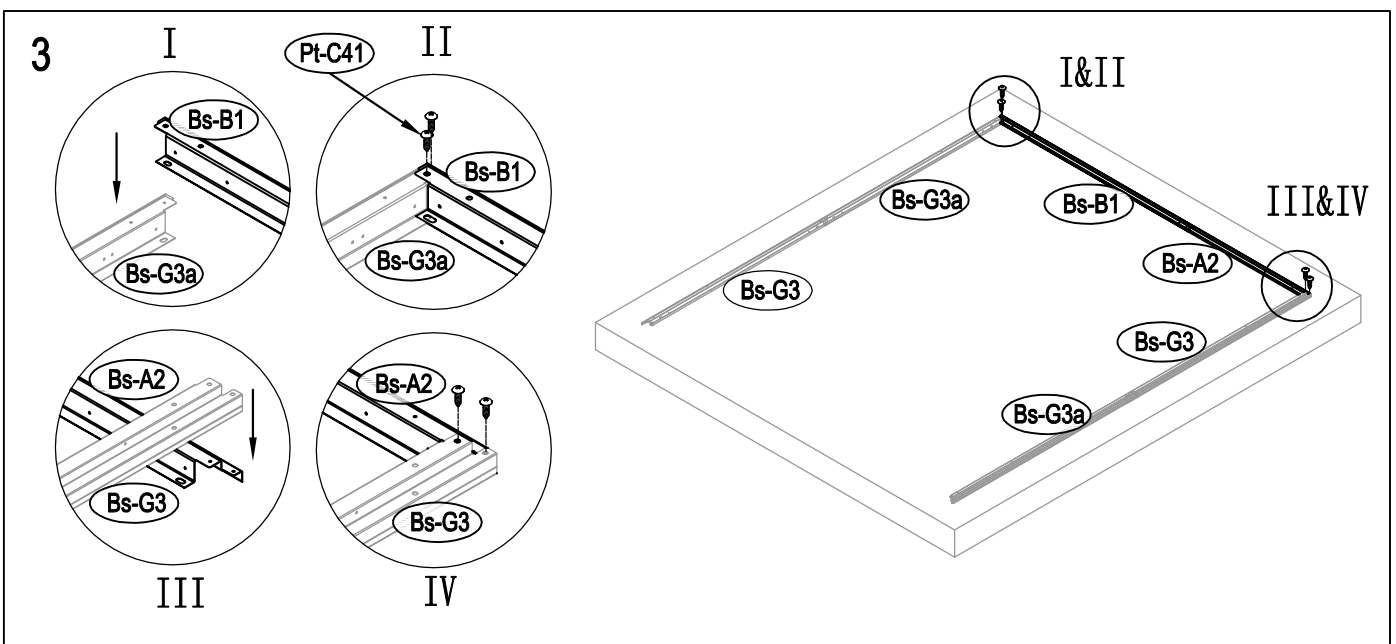
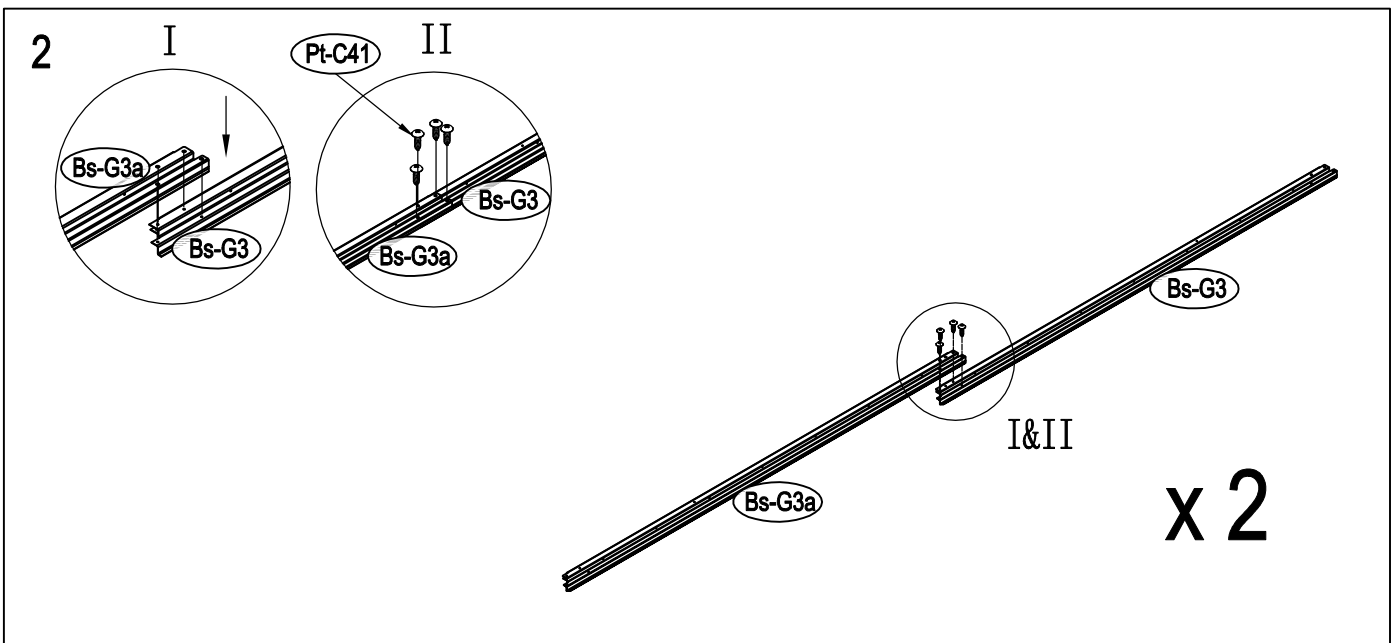
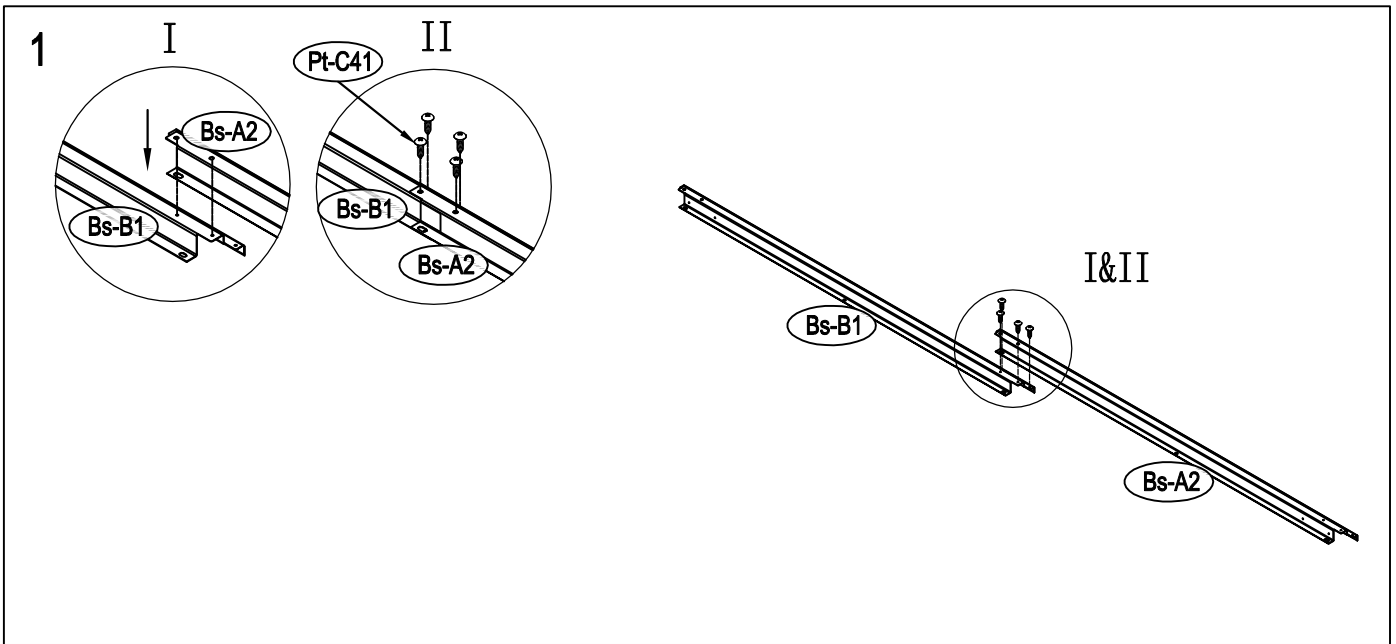


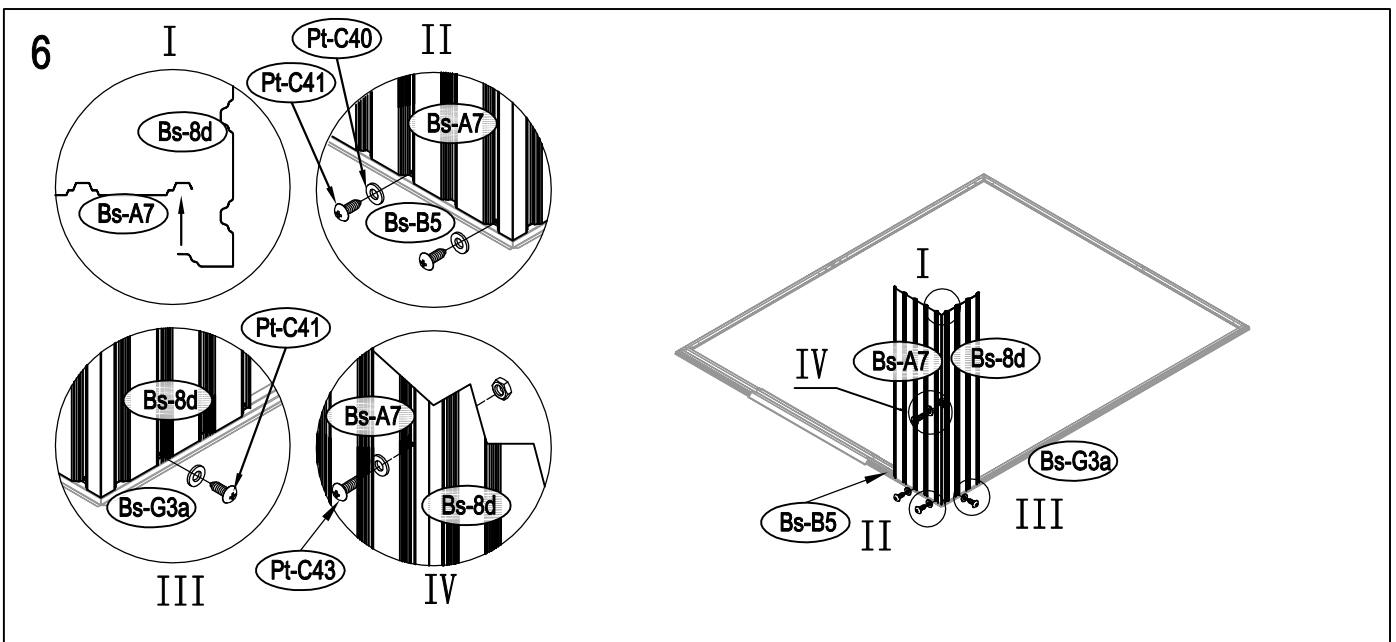
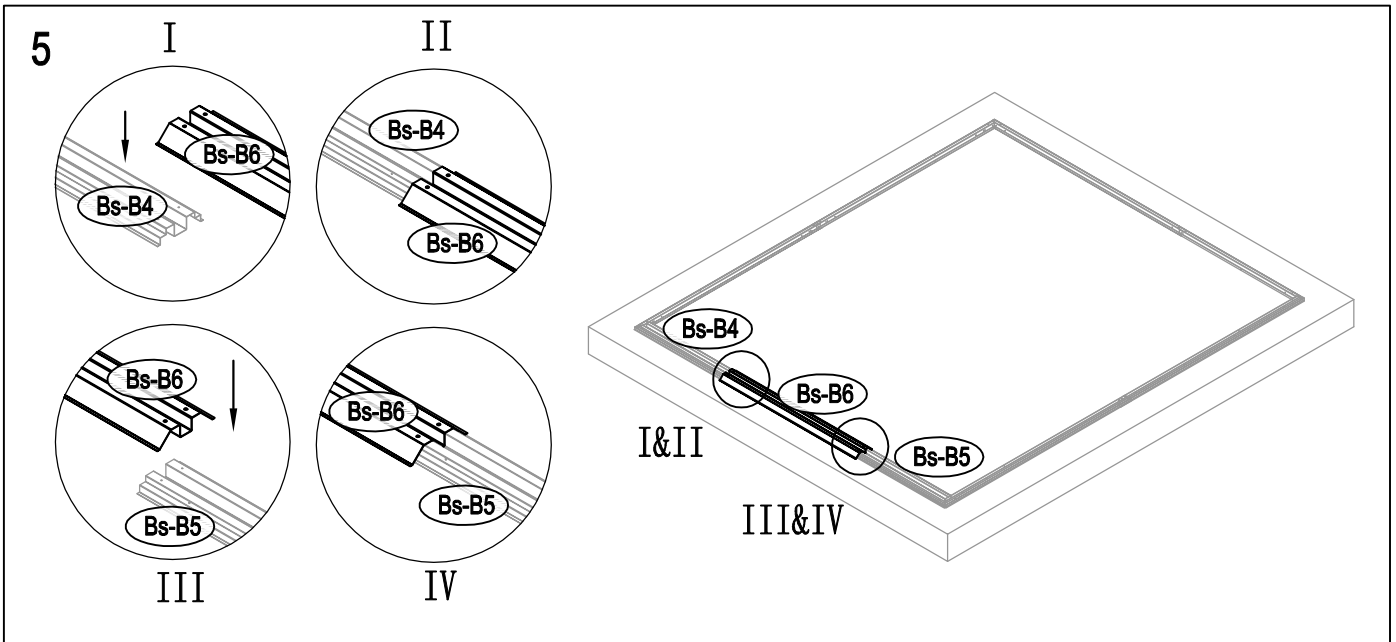
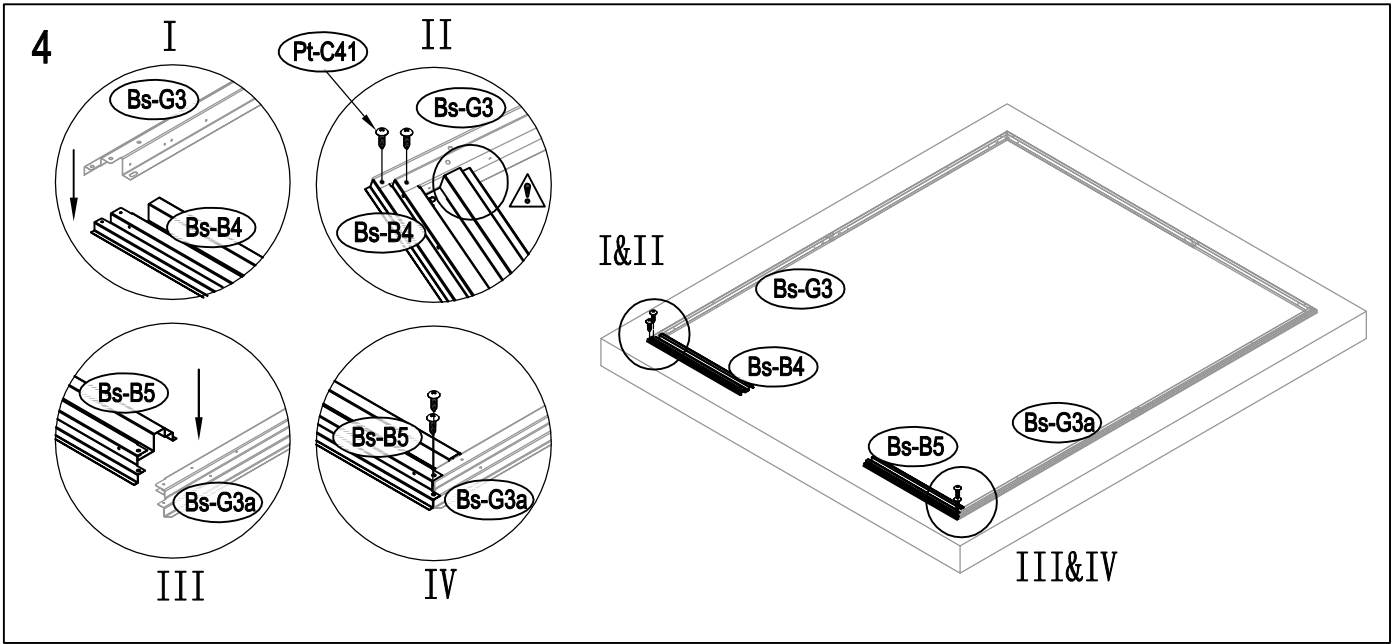
(R)



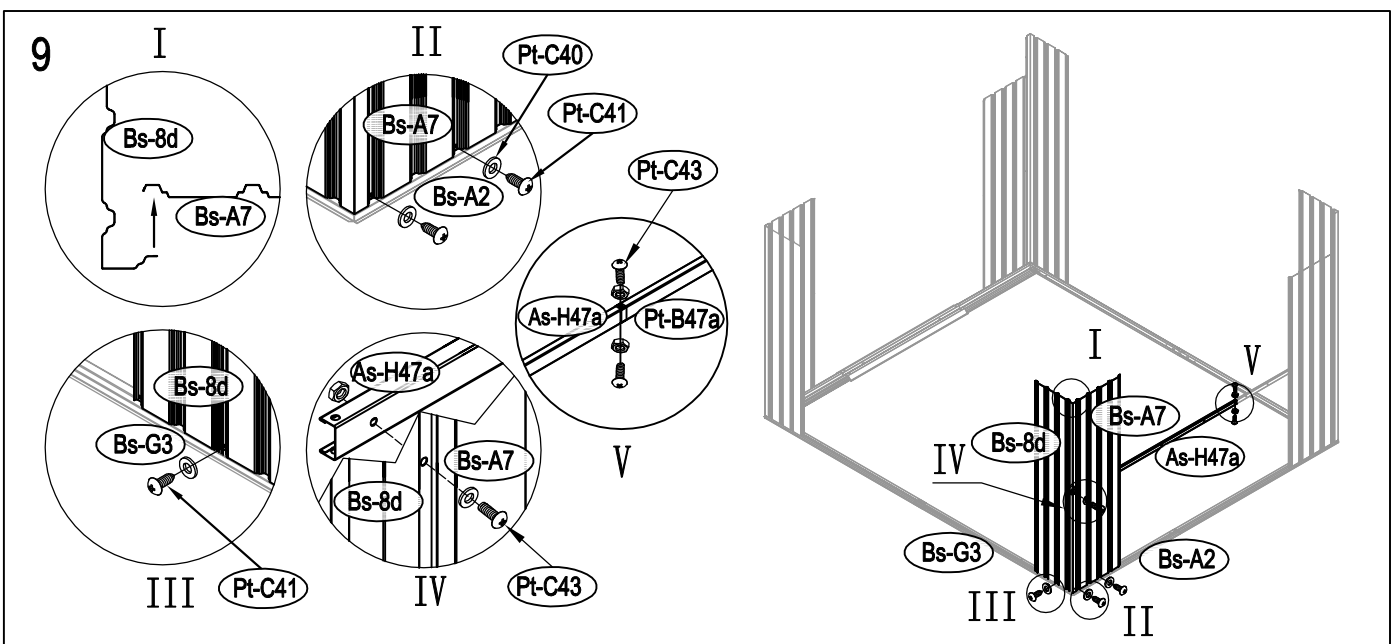
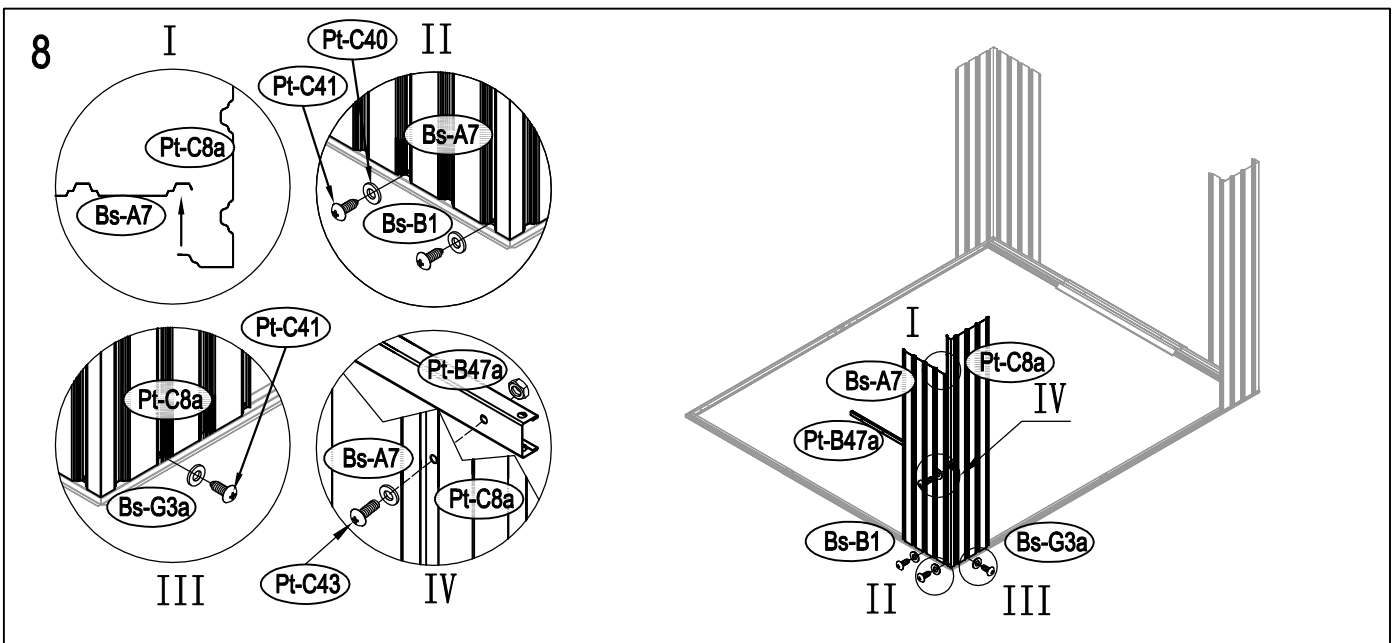
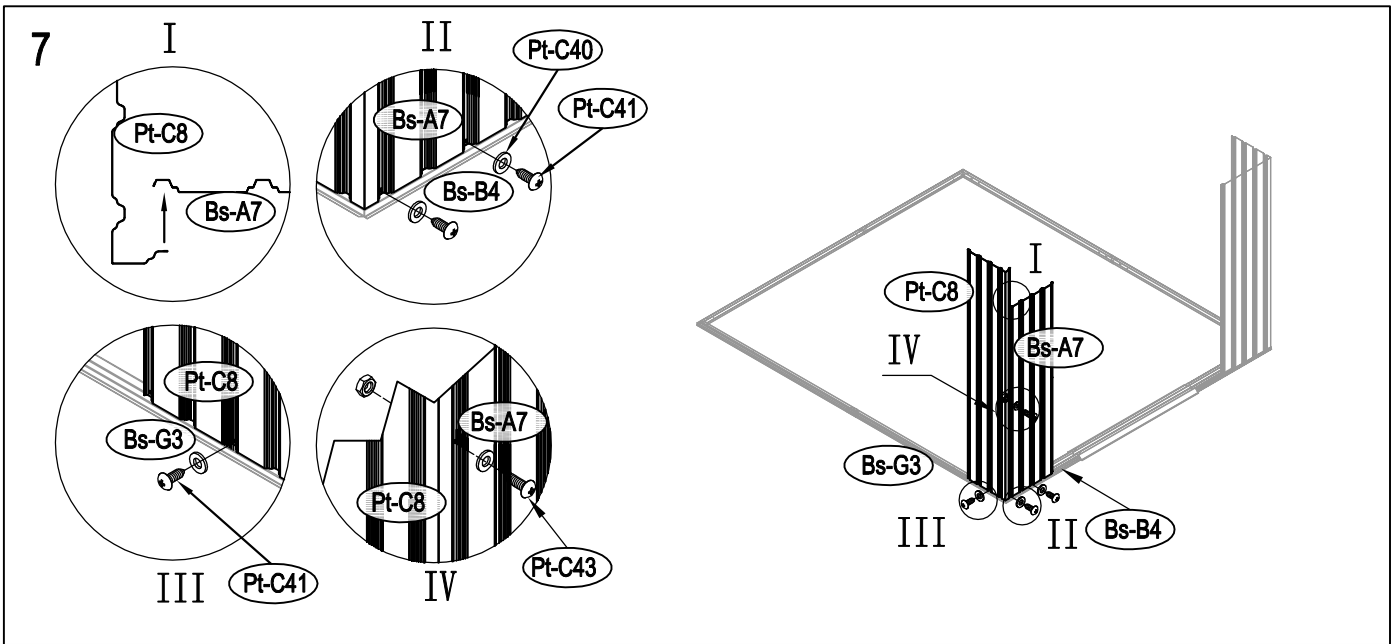
NO.	IMAGE	mm	QTY	NO.	IMAGE	mm	QTY	
<b>UNDER</b>								
Bs-B1		1693	x1	<b>TOP2</b>				
Bs-A2		1074	x1	Pt-C23		1460	x1	
Bs-G3		1593	x2	Pt-C23a		1412	x1	
Bs-G3a		1600	x2	Pt-C24		1460	x6	
Bs-B4		803	x1	Pt-C24b		1460	x1	
Bs-B5		803	x1	Pt-C24a		1412	x8	
Bs-B6		1171	x1	Pt-C25		1460	x1	
<b>MIDDLE</b>				Pt-C25a		1412	x1	
Bs-A7		1648	x13	Pt-C24p			1460	x1
Pt-C7		1984	x5	Pt-C26			1397	x1
Pt-C8		1984	x1	Pt-C26a			1397	x1
Pt-C8a		1984	x1	Pt-C27	1407		x1	
Bs-8d		1648	x2	Pt-C27a	1407		x1	
Bs-A7c		1648	x3	Am-26	1296		x4	
Pt-C7c		1984	x1	Am-27	657		x2	
Bs-B9a		1315	x1	<b>DOOR</b>				
Bs-B10		1315	x1	Ax-B30			1583	x1
Bs-B11b		1249	x1	Ax-B35			1583	x1
Bs-B12		1453	x1	Ax-B30a			1583	x2
Pt-E13		1784	x1	Ts-31		1583	x2	
Pt-E15		1401	x1	Ax-31a		1583	x2	
Pt-E13a		1784	x1	Ax-B32		287.5	x4	
Pt-E15a		1401	x1	Ax-B32a		265.5	x4	
Bs-16		1648	x1	Ax-B33		593	x1	
Bs-17		1648	x1	Ax-B34		593	x1	
Bs-B18		1257	x1	Ax-B36		593	x1	
As-H47a		1643	x1	Ax-B37		593	x1	
Pt-B47a		1004	x1	<b>ANNEX</b>				
Bm-E48a		1539	x4	T-P1				x4
<b>TOP1</b>				T-P2			x4	
Pt-C19		1285.5	x1	T-P3			x4	
Pt-C19a		1285.5	x1	TP5A			x2	
Pt-C20		1306	x1	T-P6			x2	
Pt-C20a		1306	x1	T-P7		200	x1	
As-E22		1625.5	x2	Pt-C40			x303	
As-E22a		1625.5	x2	Pt-C41		ST4x10	x340	
Pt-C28		1702	x1	Pt-C42		ST4x16	x25	
Pt-C28a		1600.5	x1	Pt-C43		M4x10	x139	
Pt-C45		70	x2	Pt-C44			x119	
Pt-C45a		70	x2			40mm	x1	
Pt-C56		85	x1				x2	
Pt-C56a		85	x1	V-A1		1024	x8	
Pt-C58		252	x1	V-A3		1344	x6	

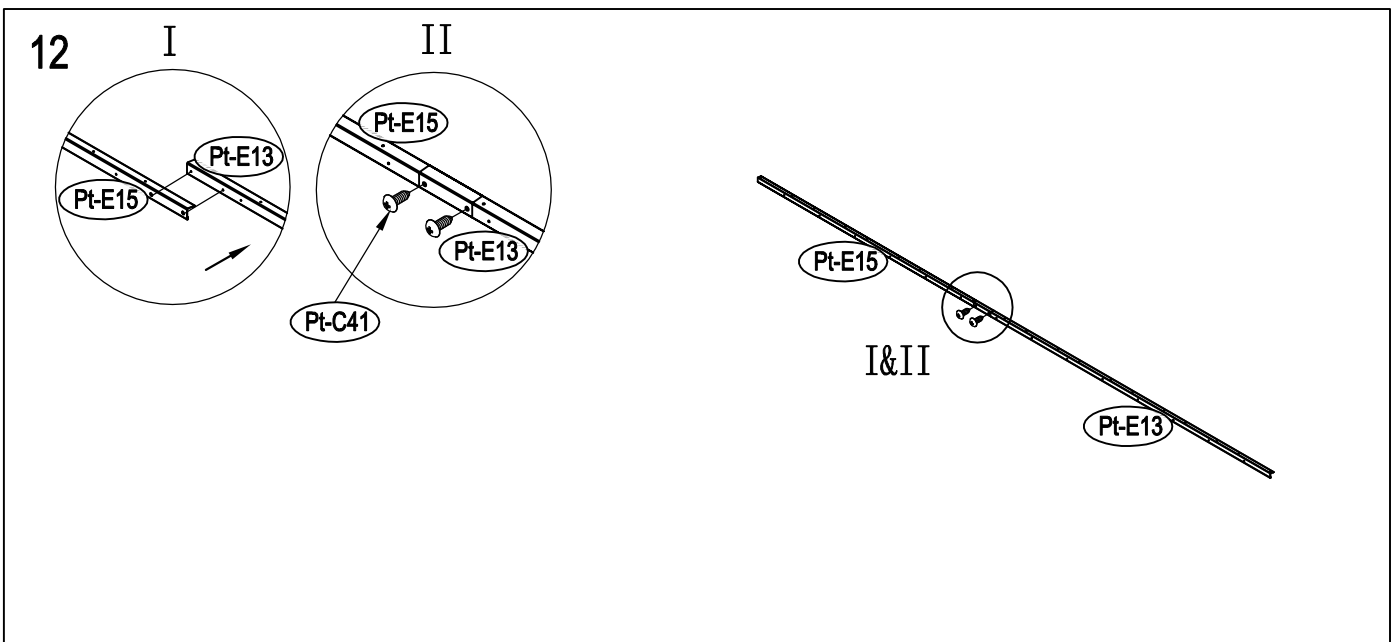
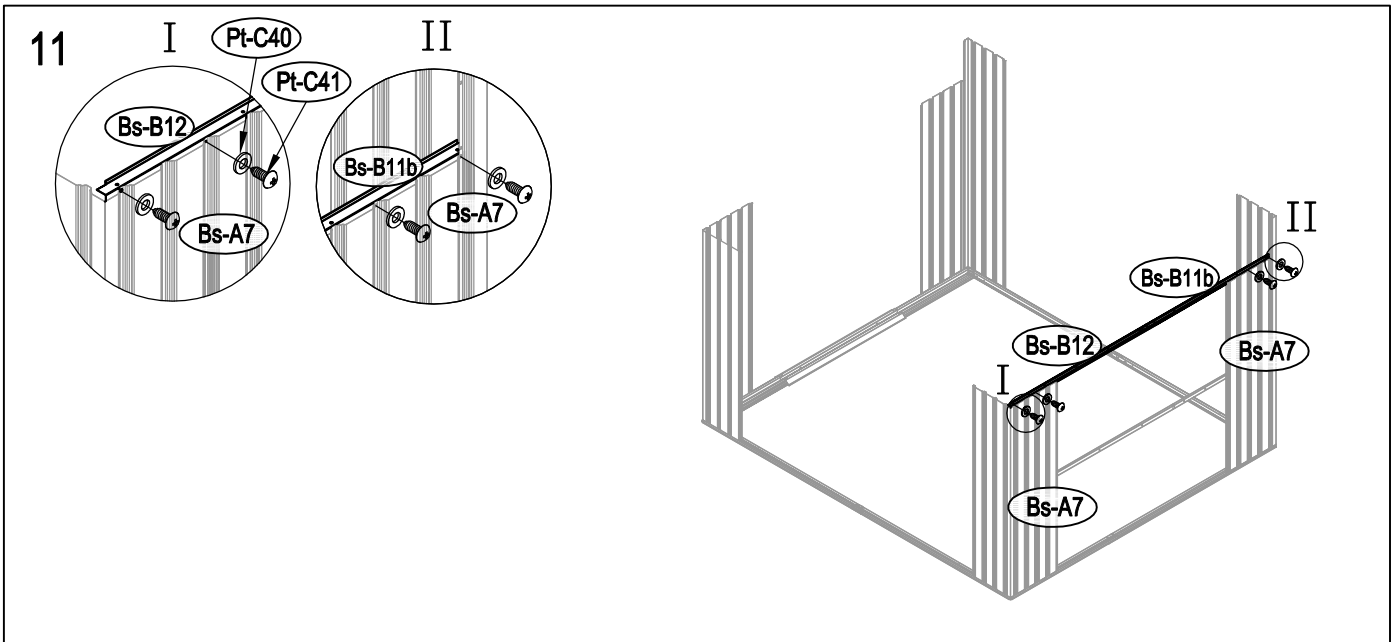
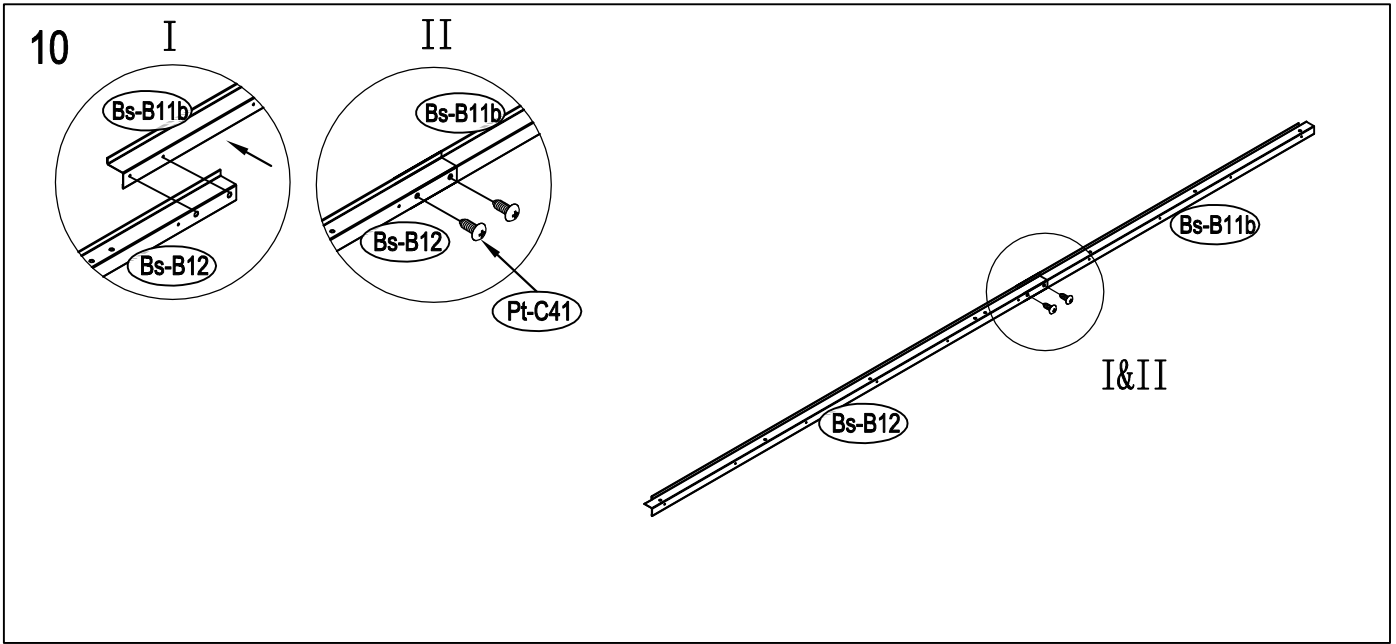


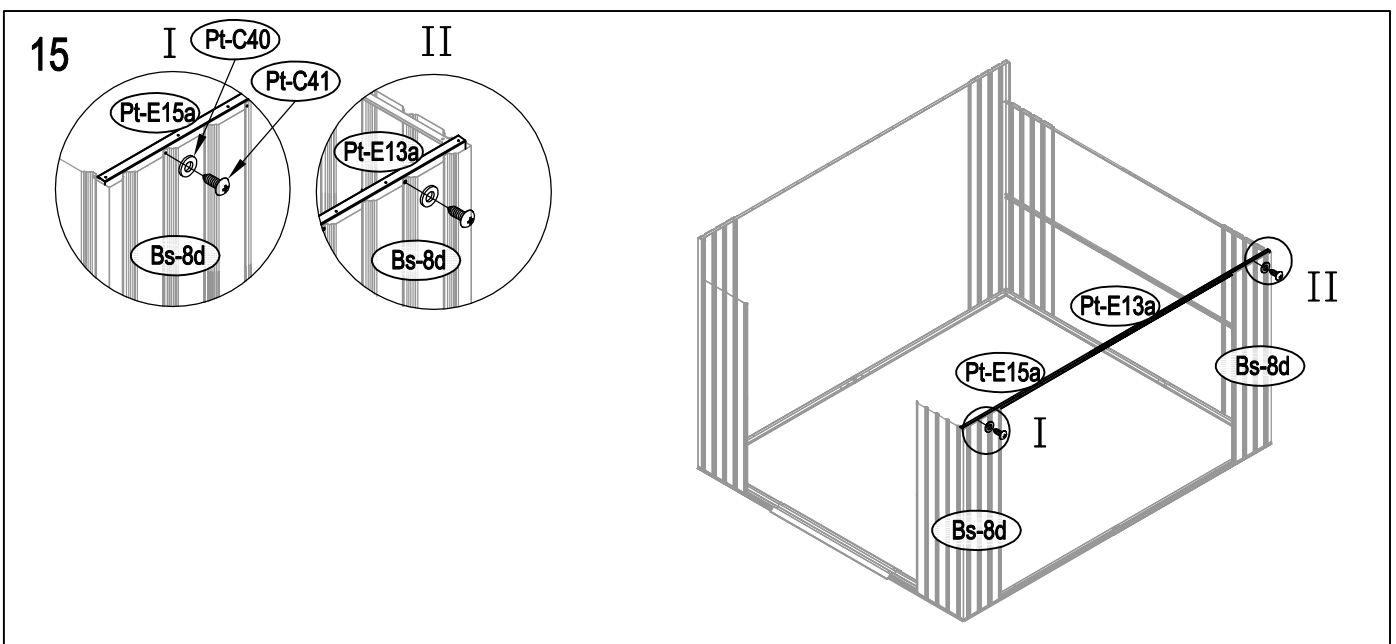
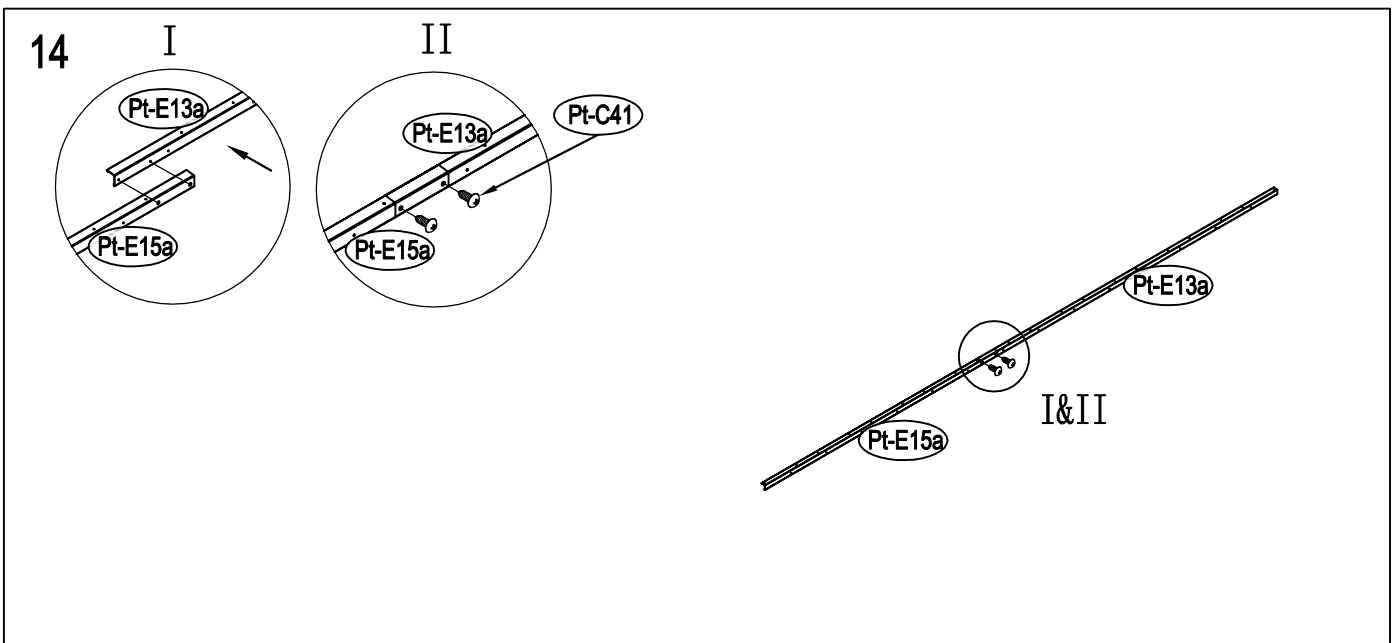
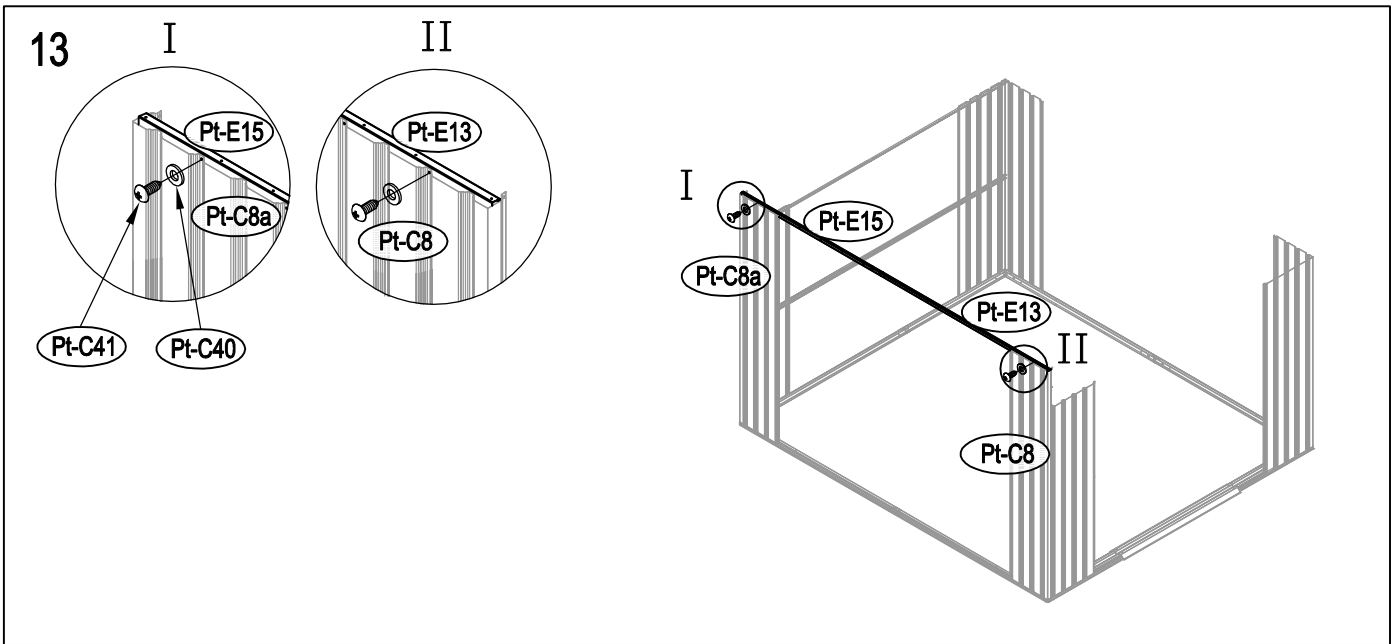


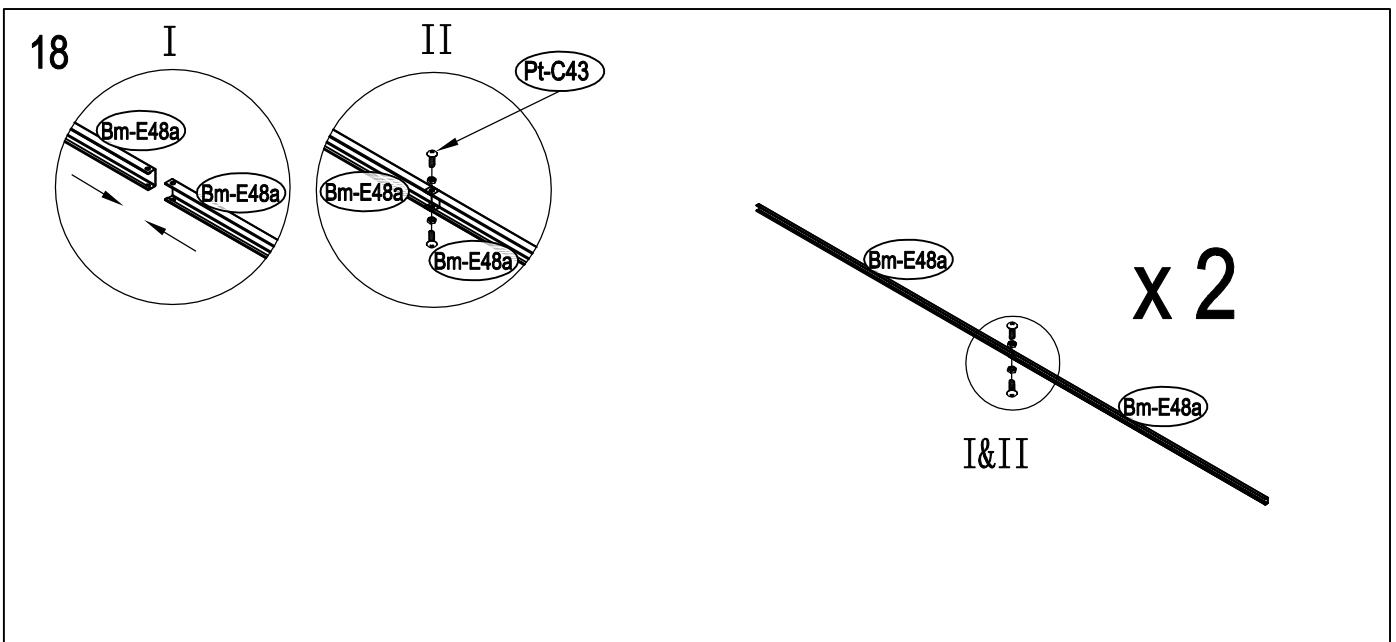
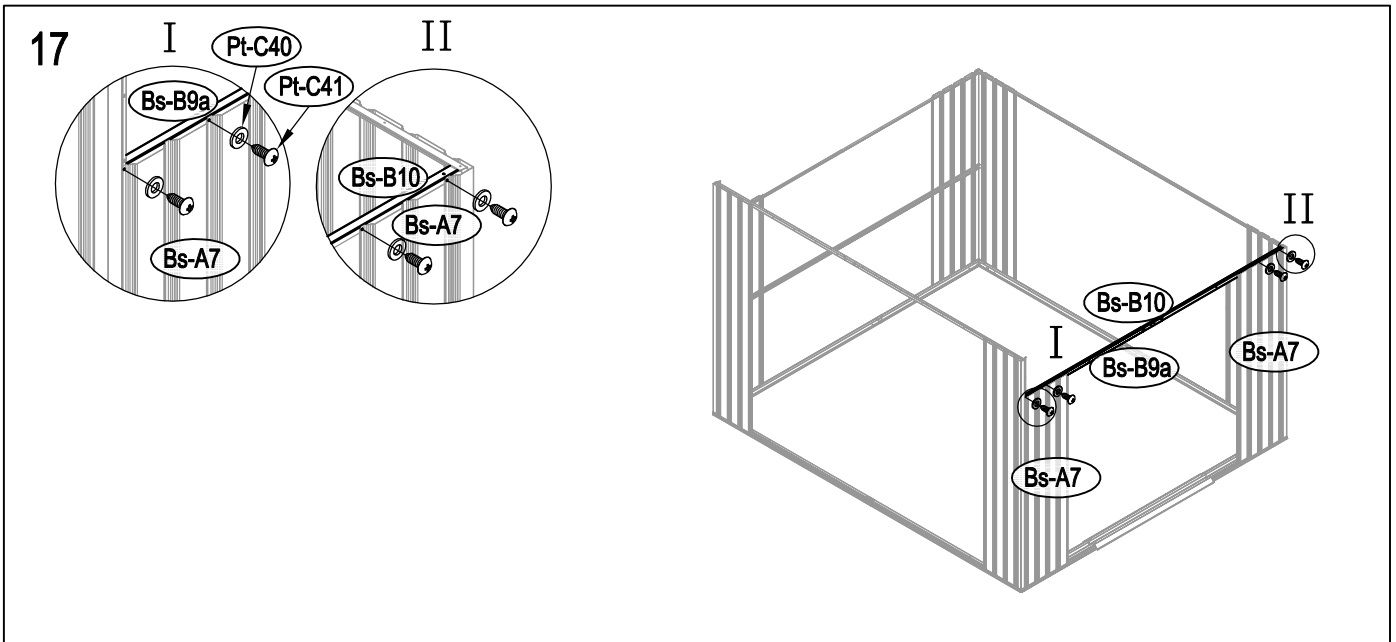
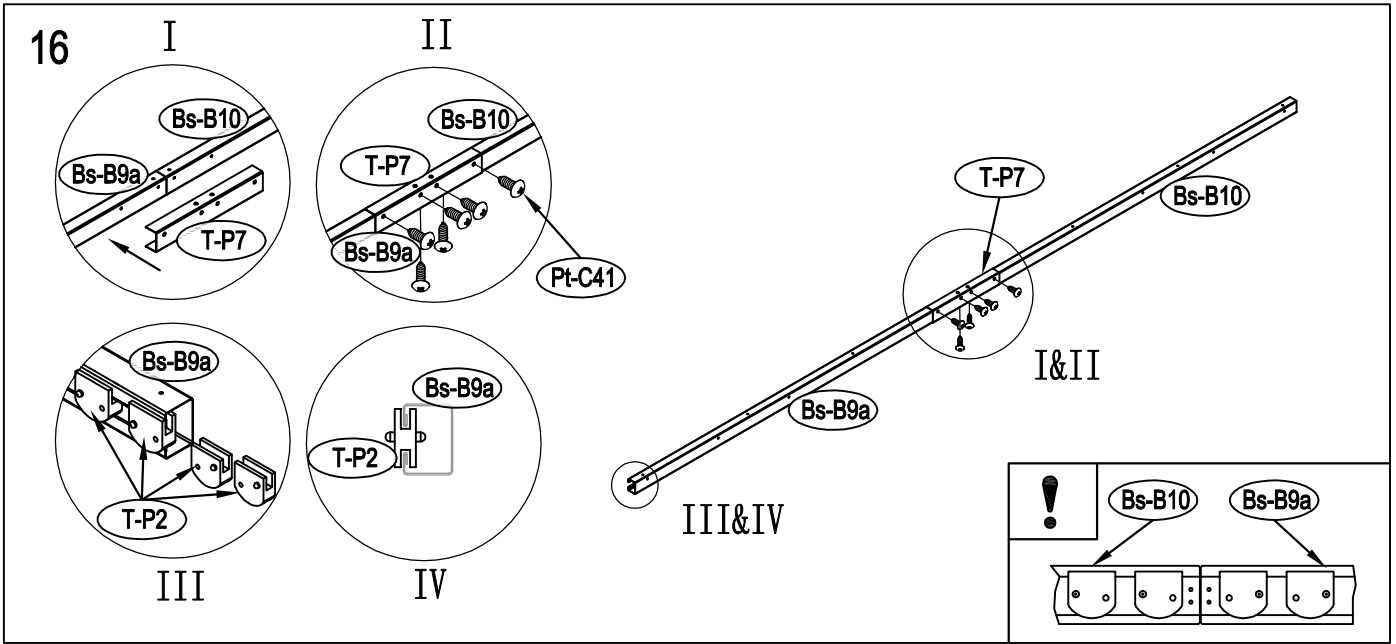


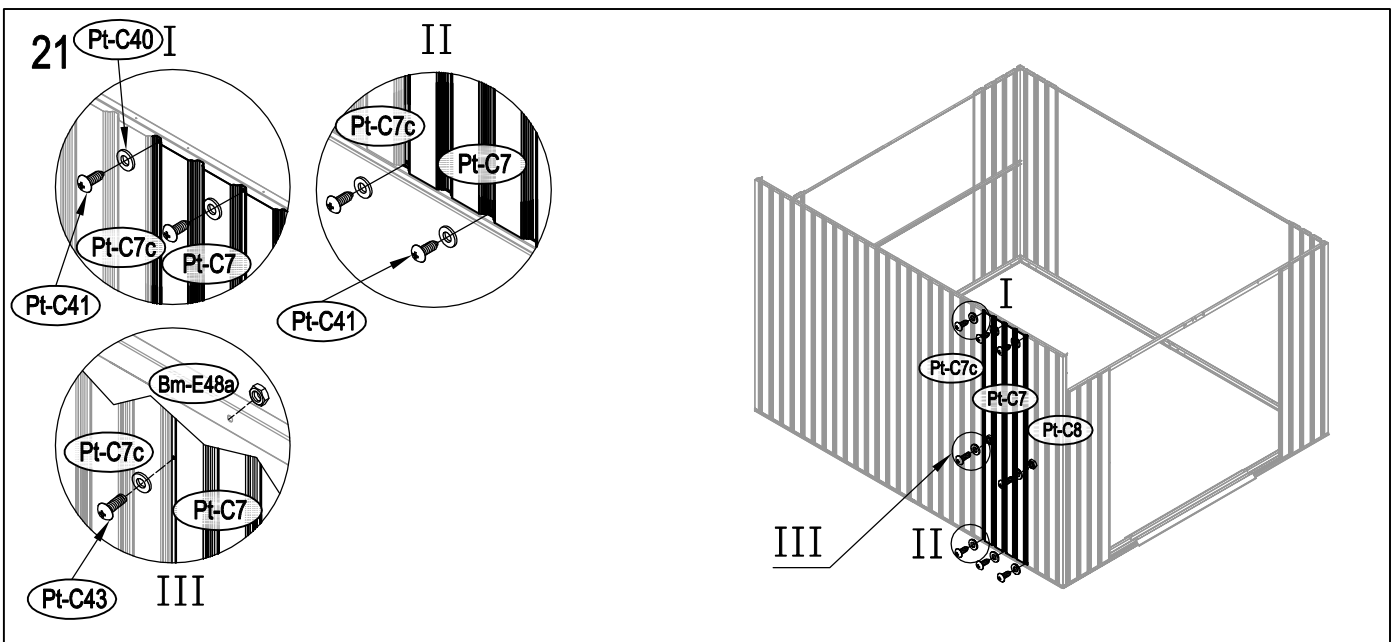
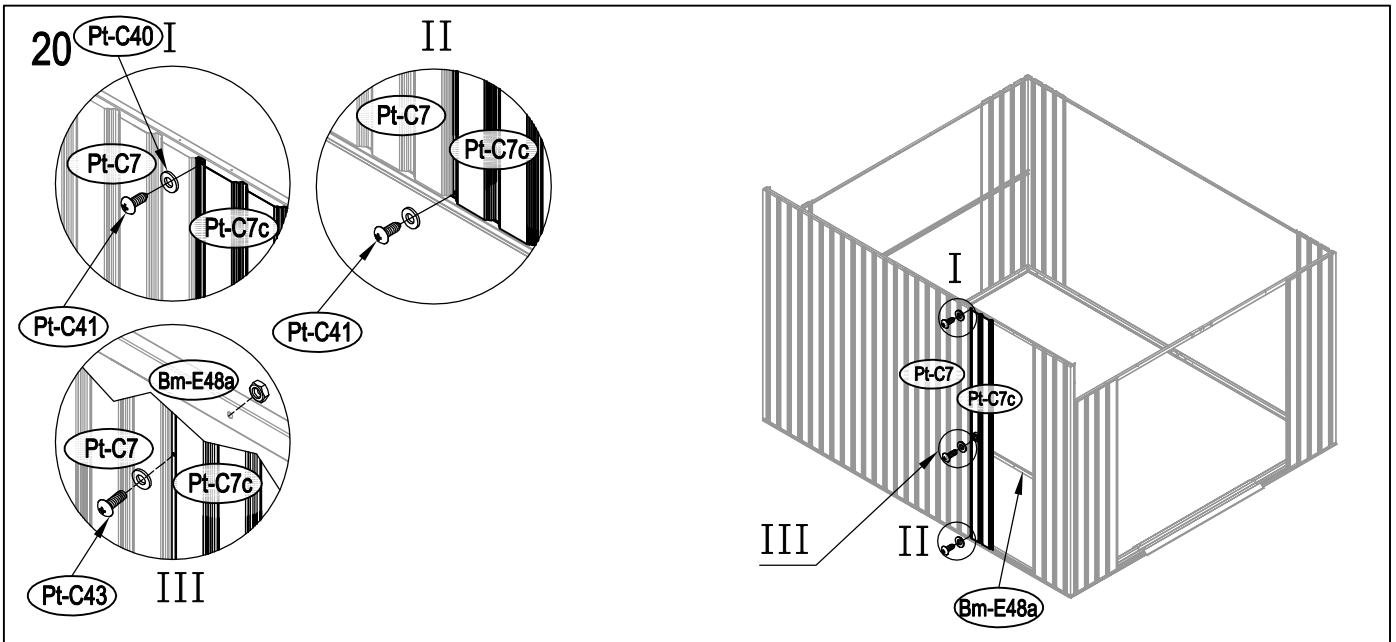
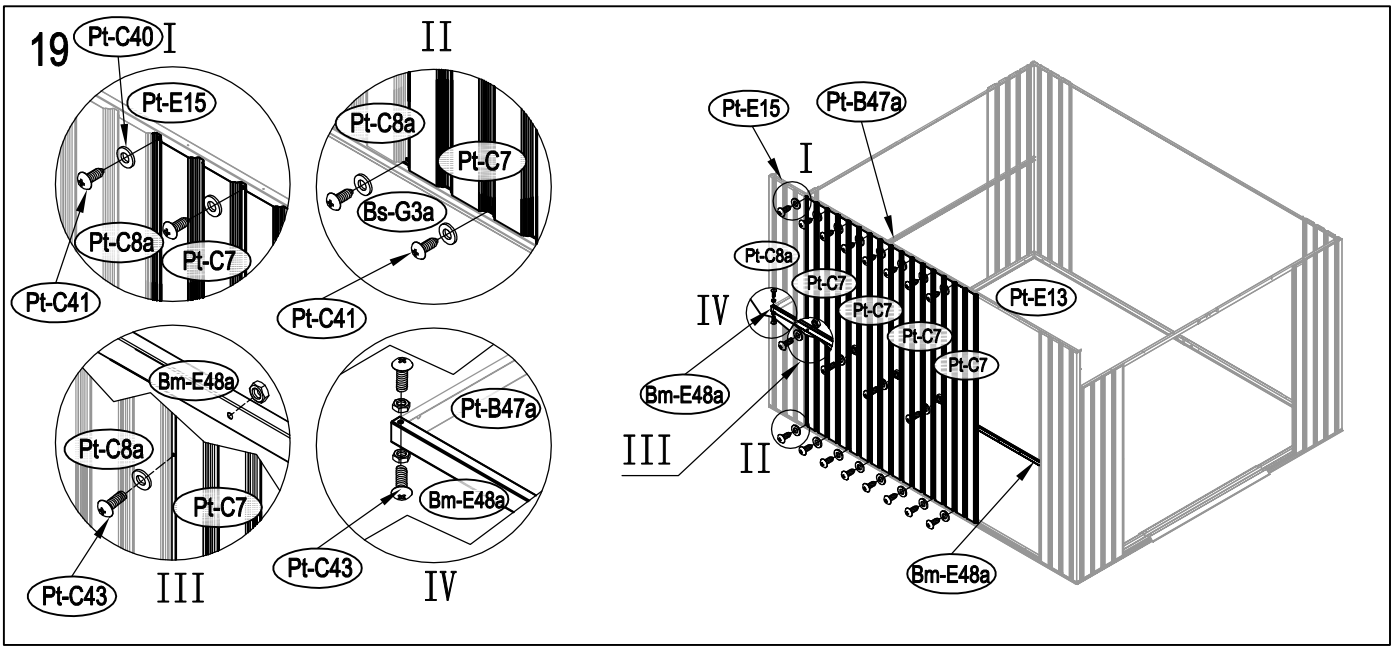


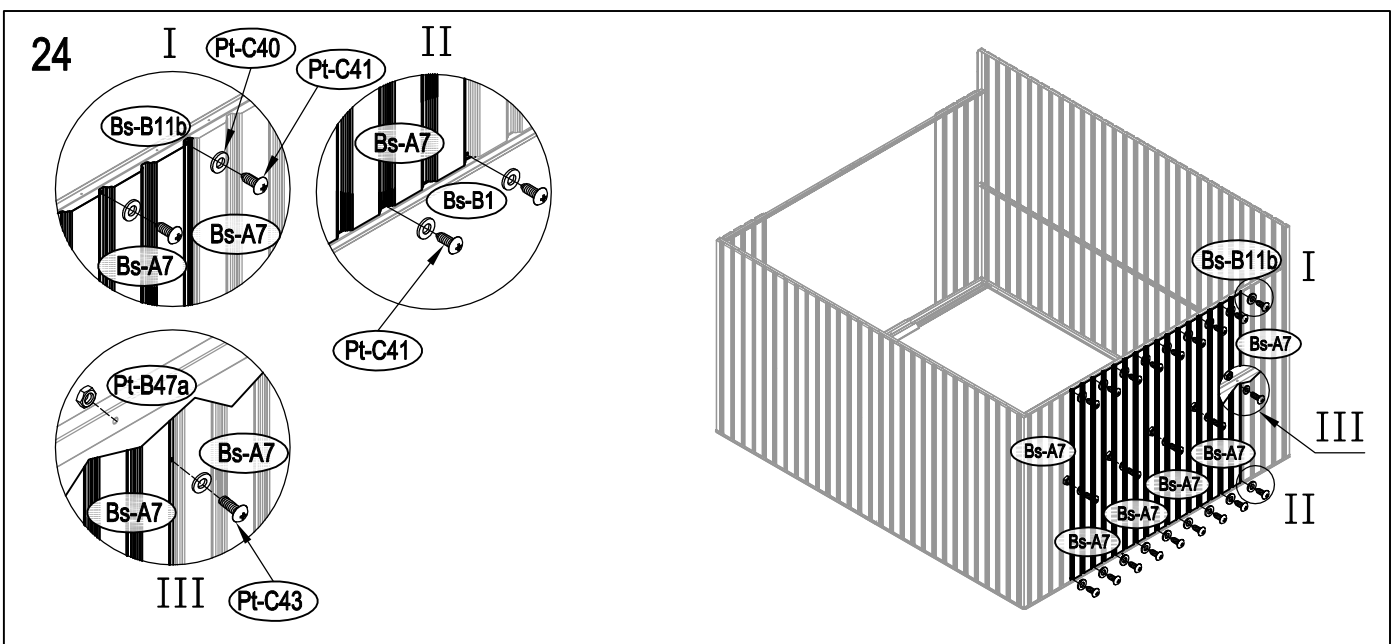
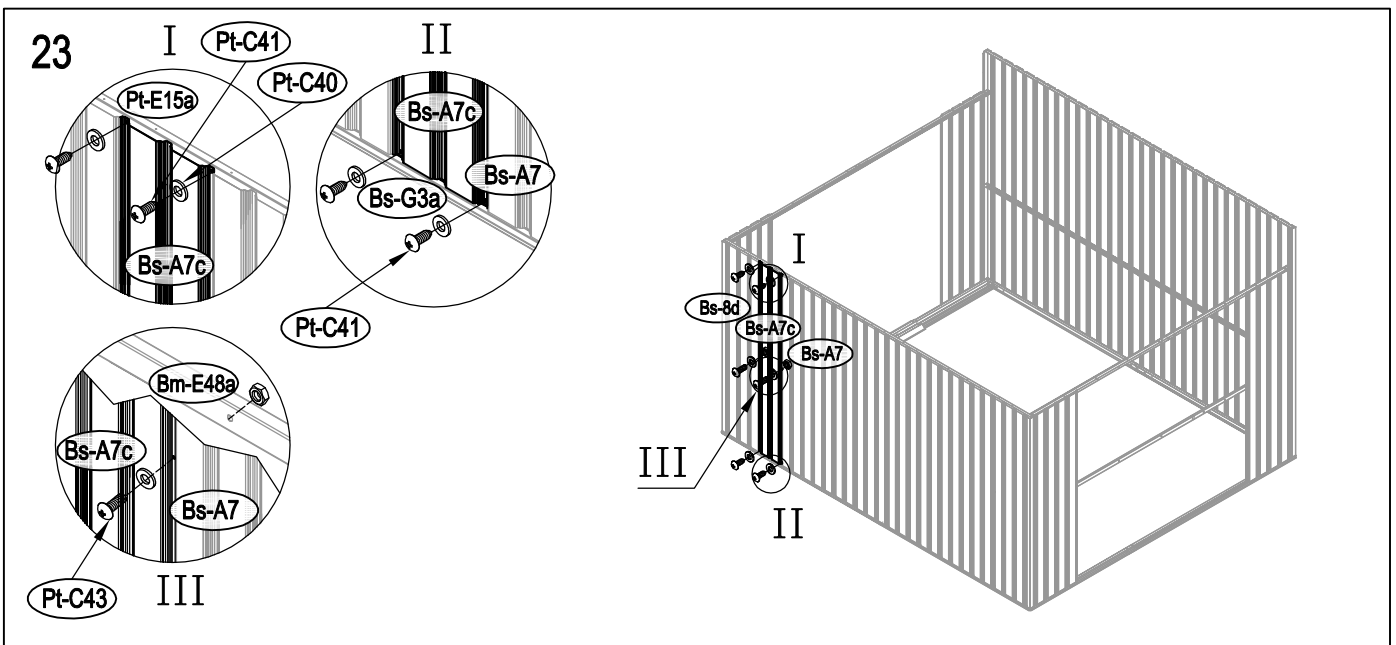
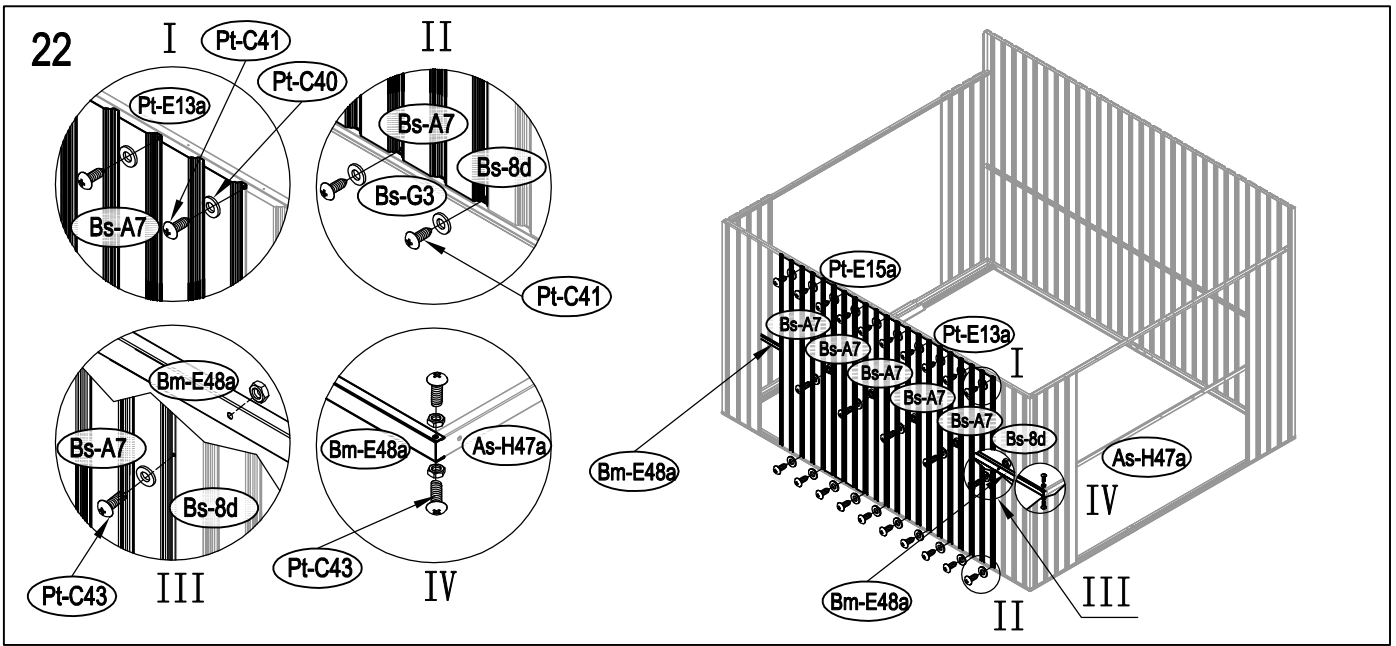


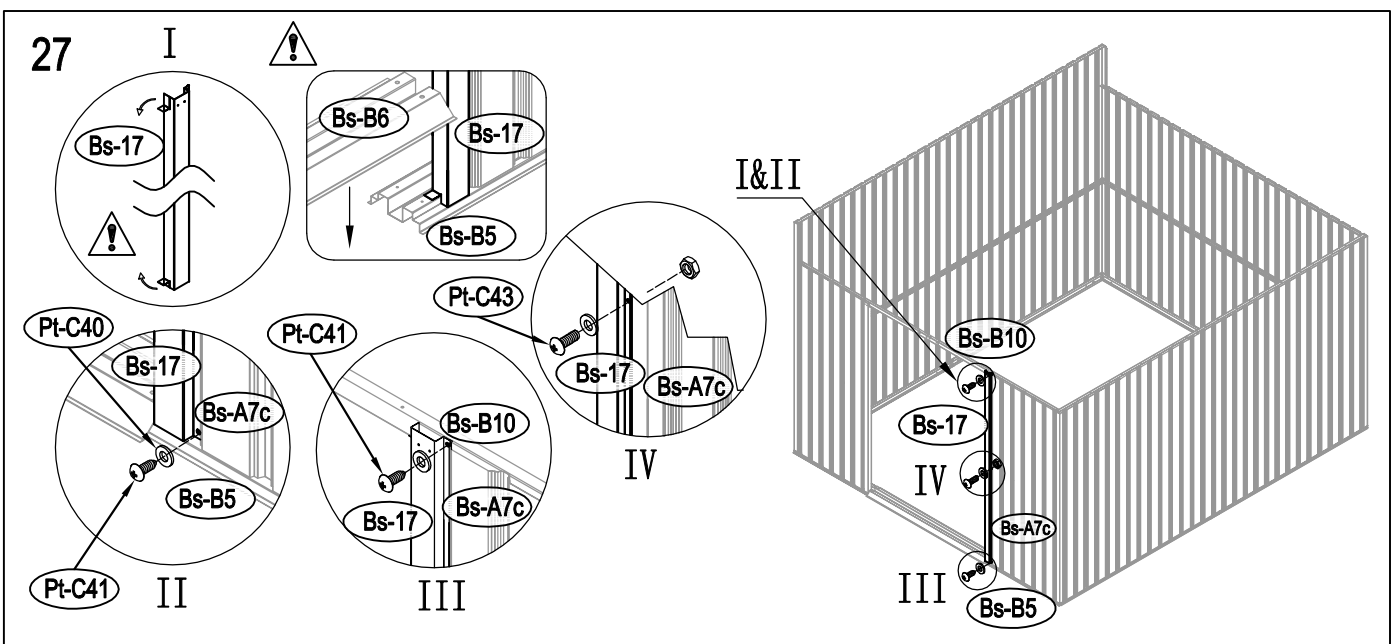
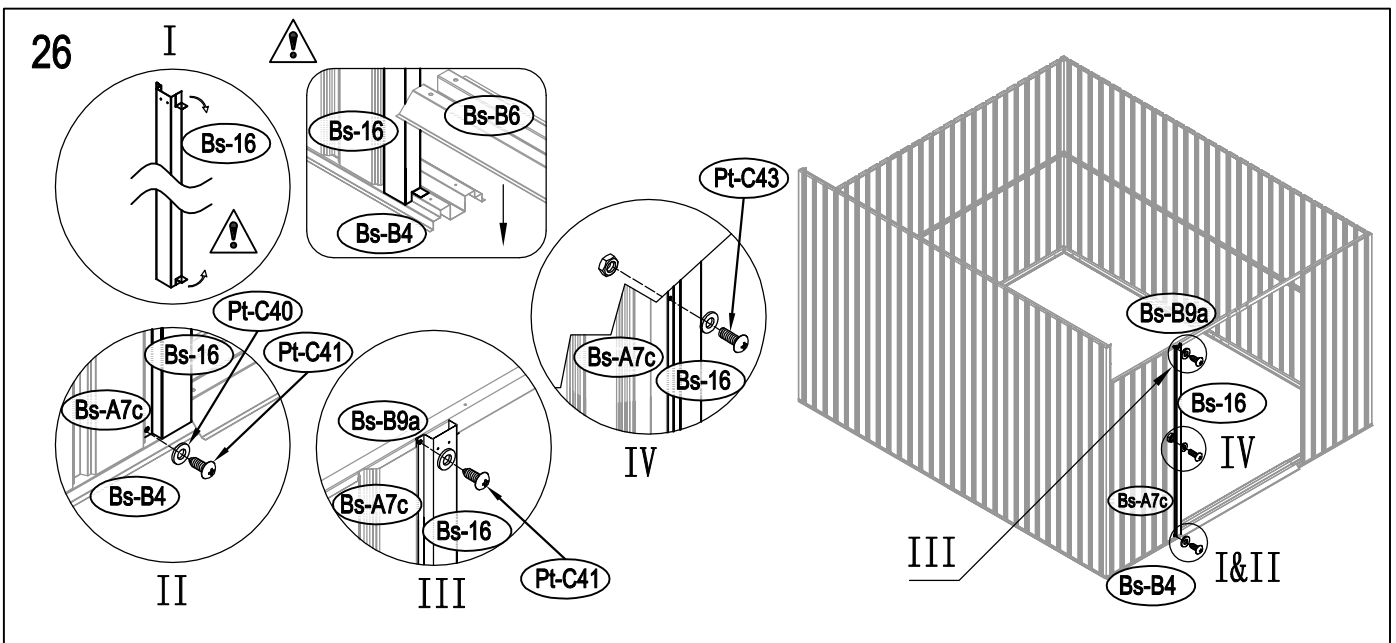
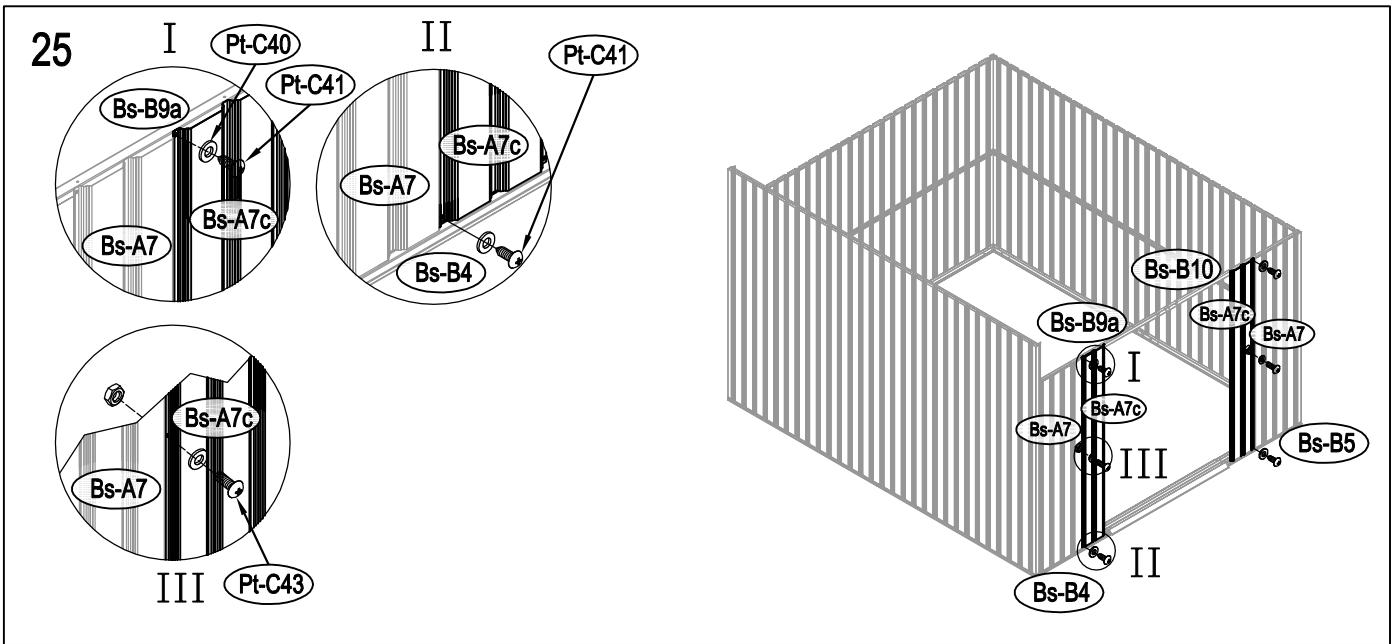


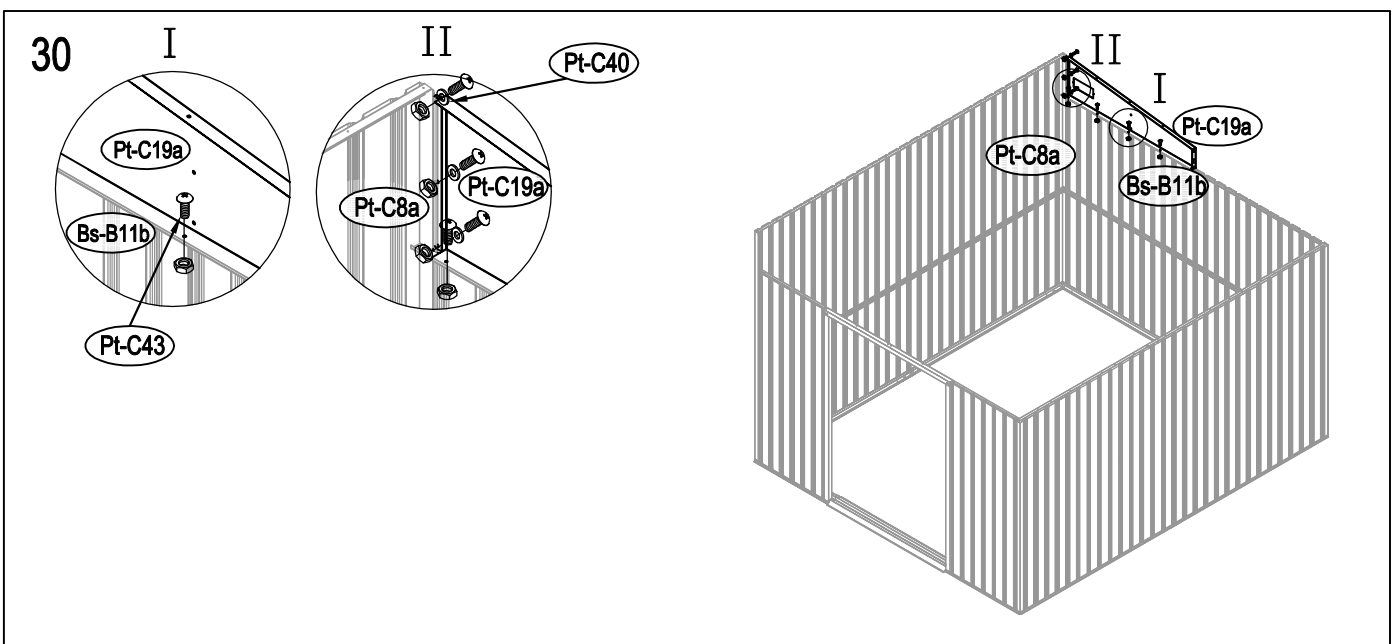
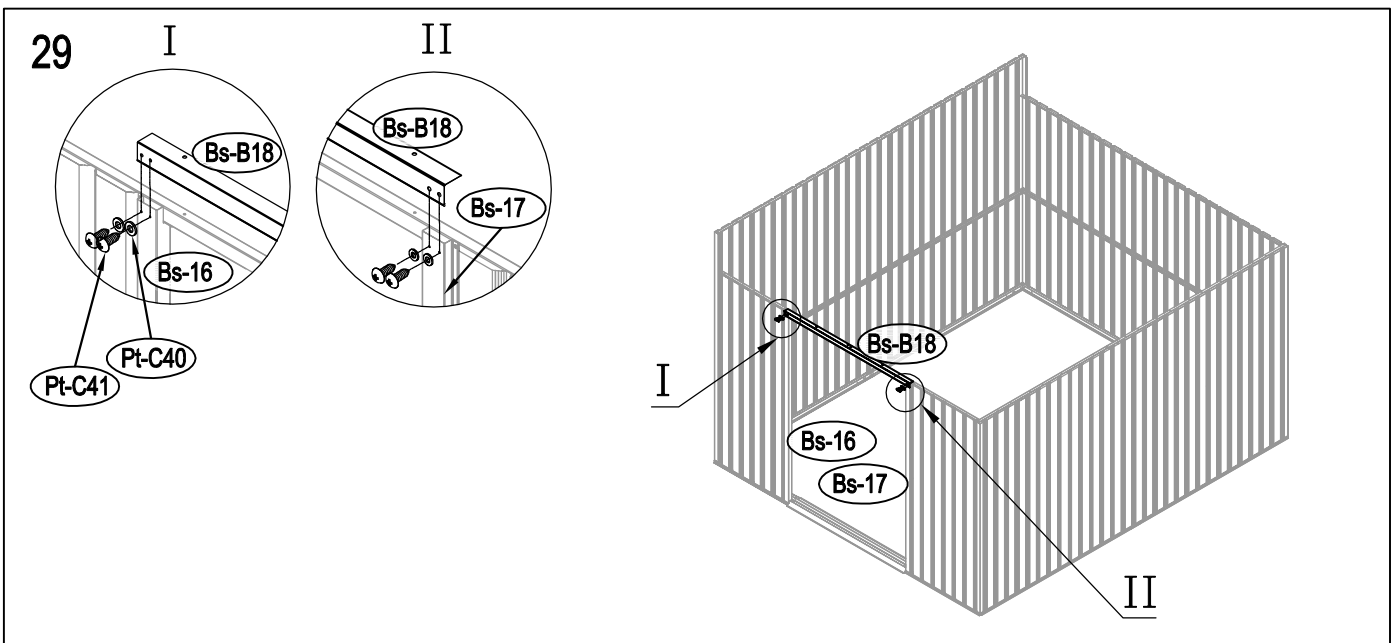
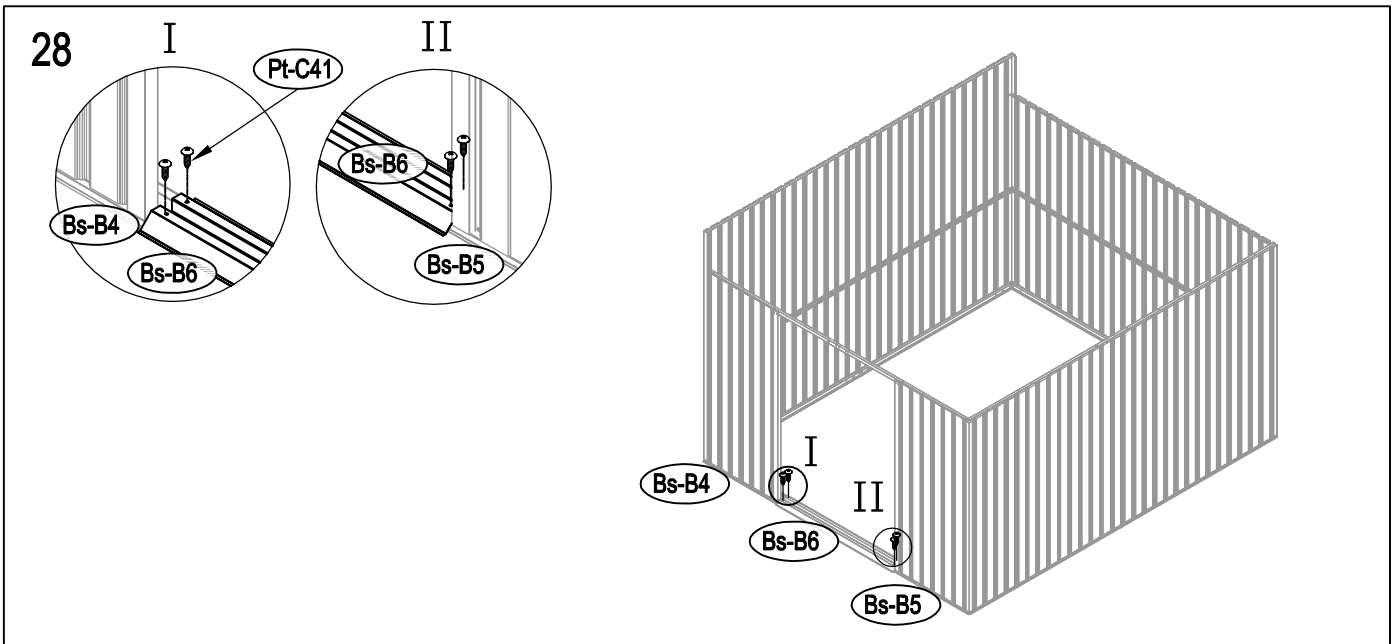




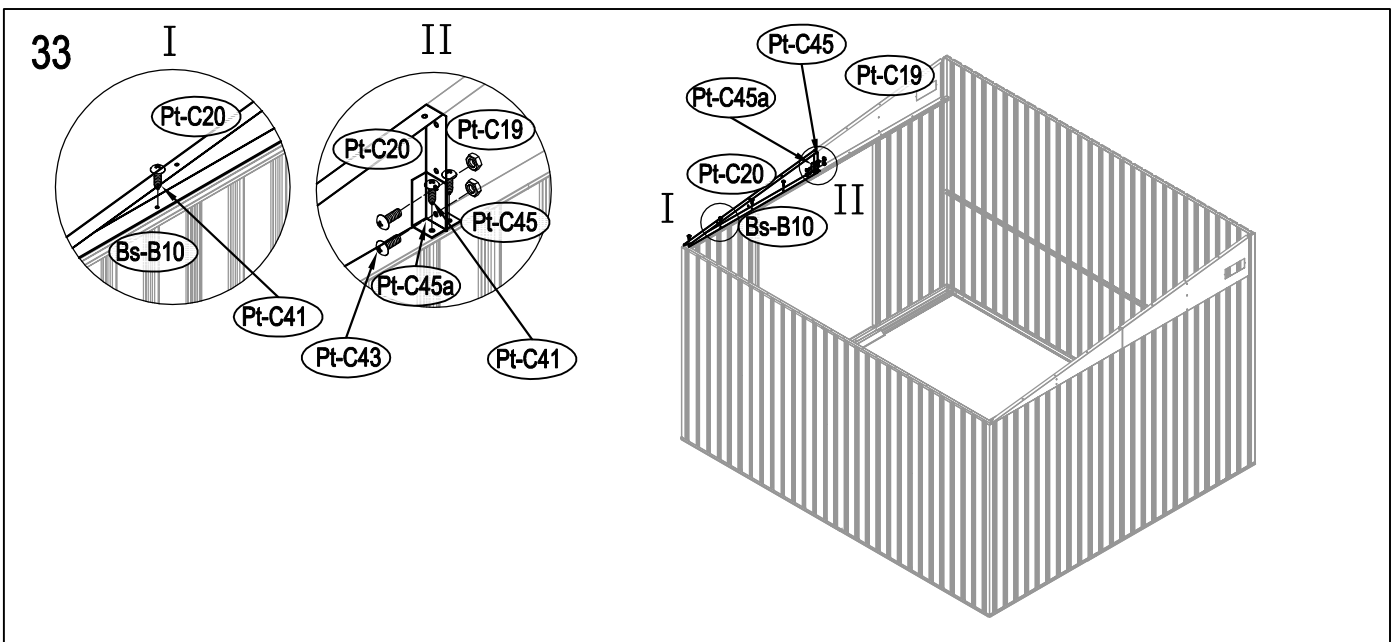
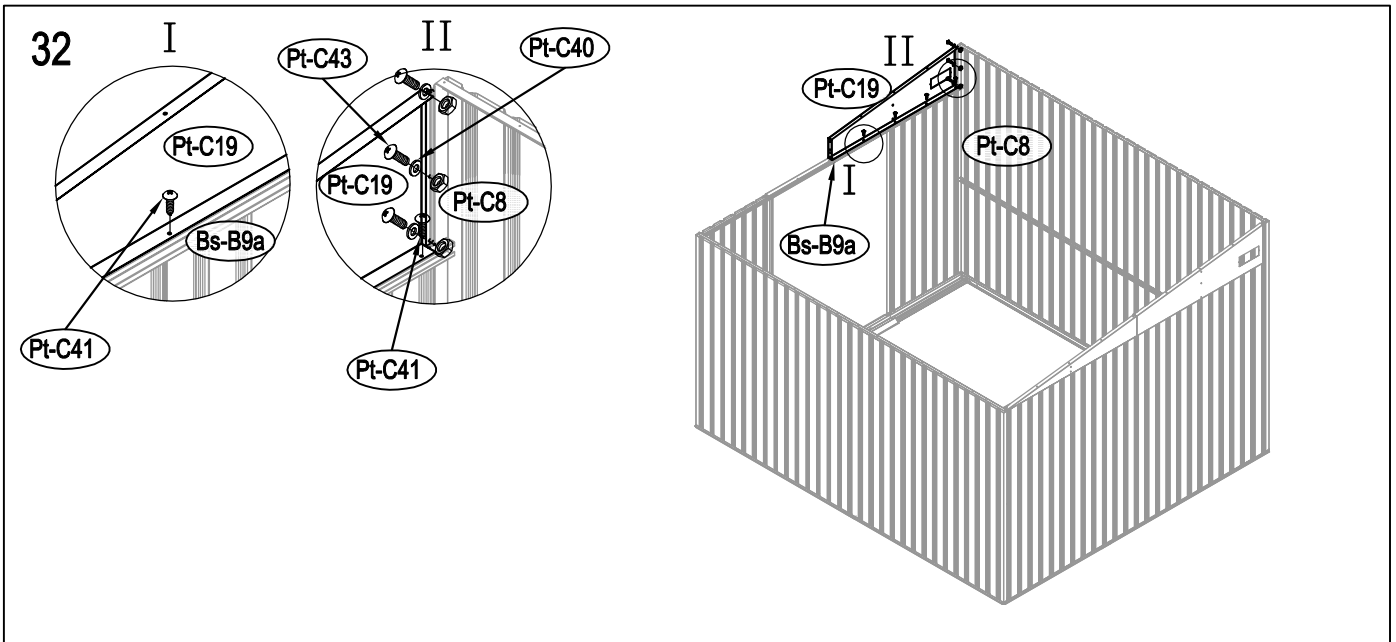
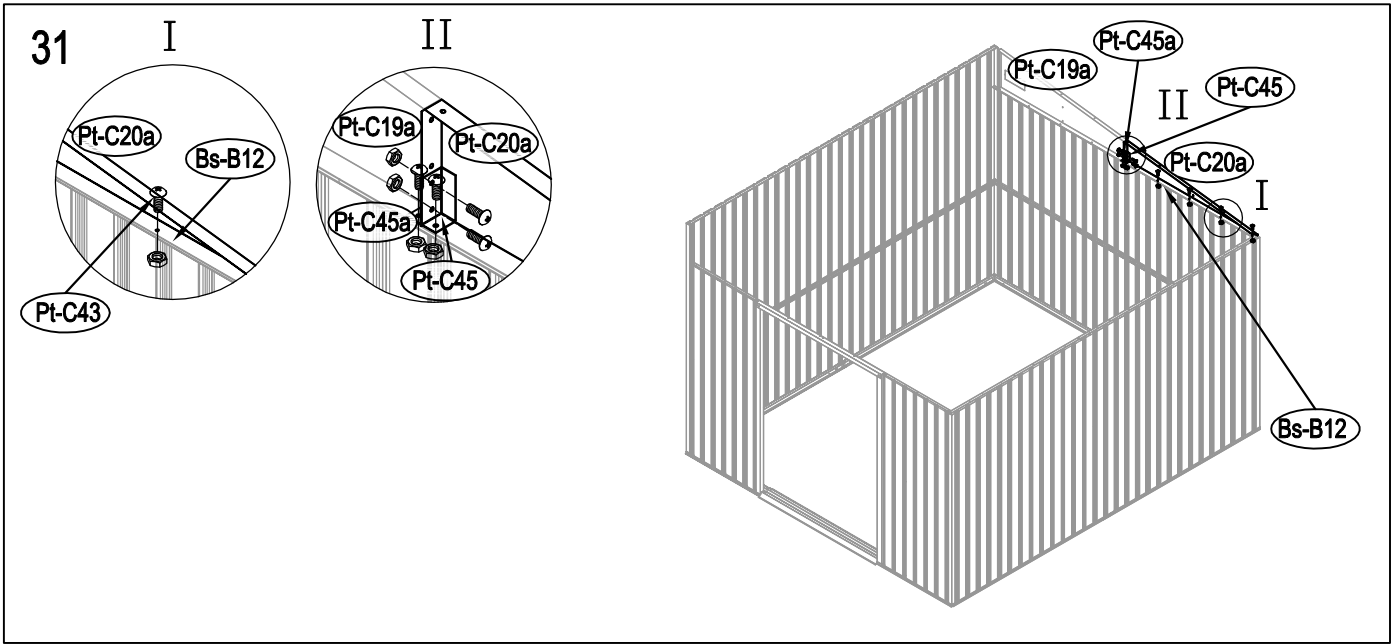


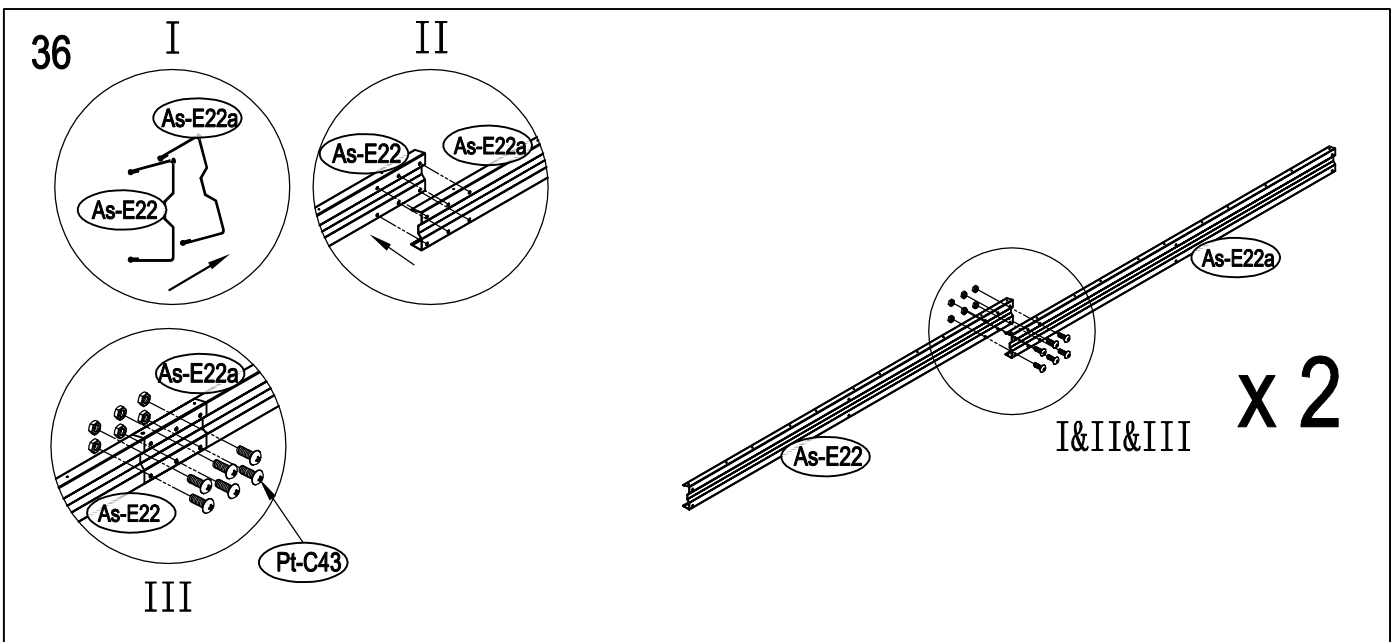
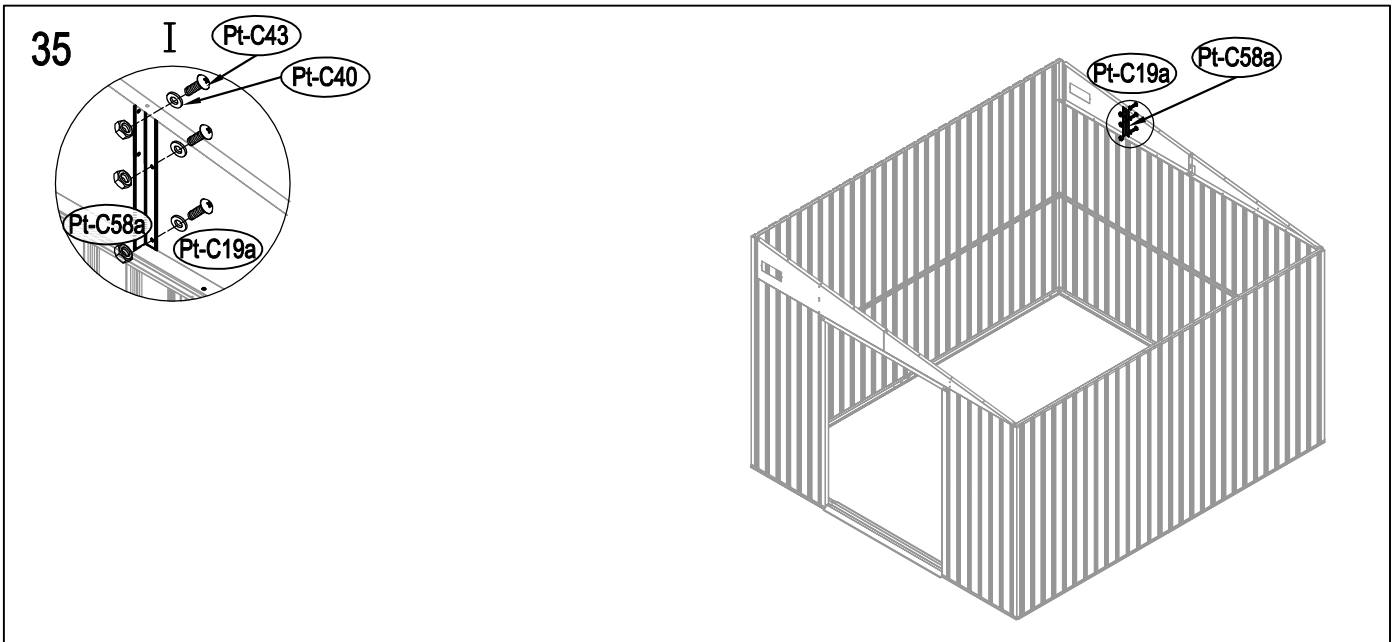
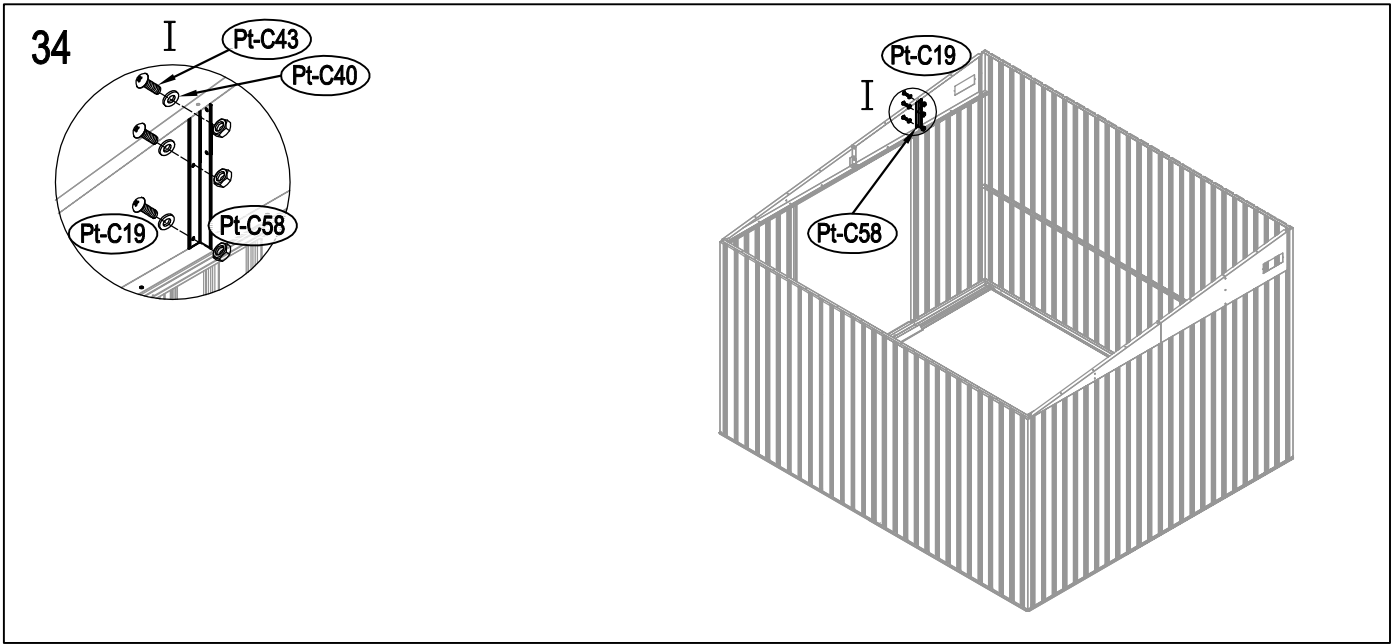


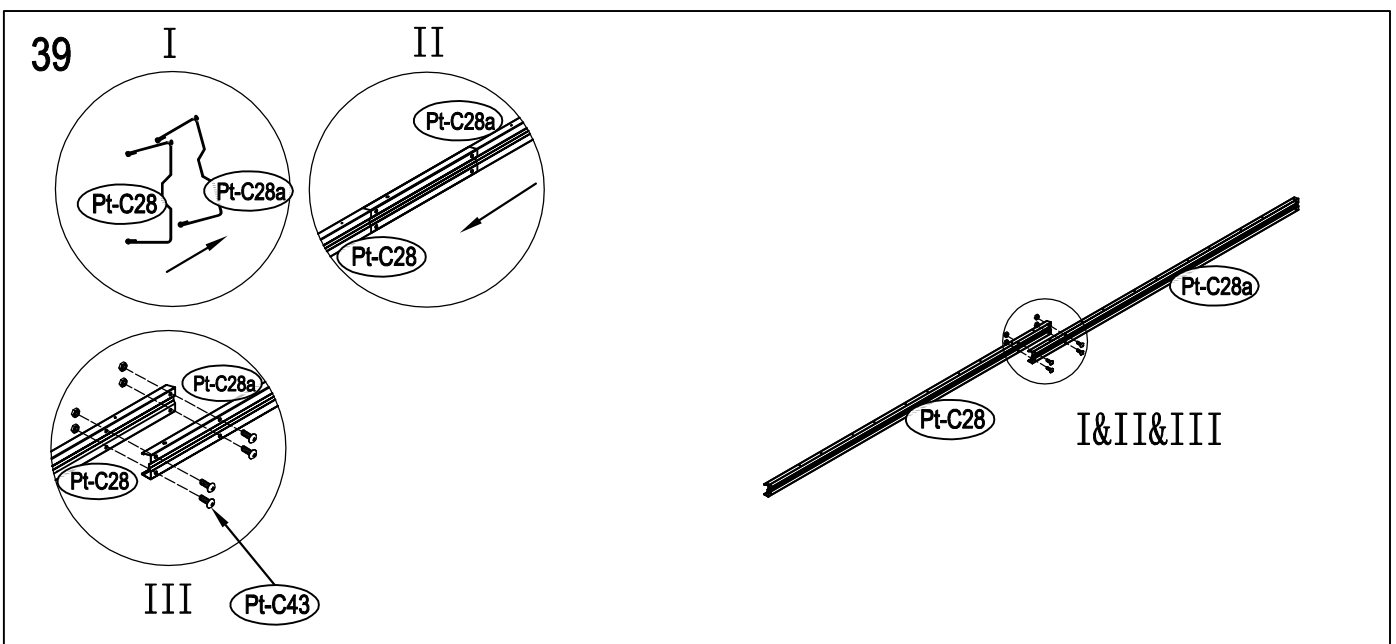
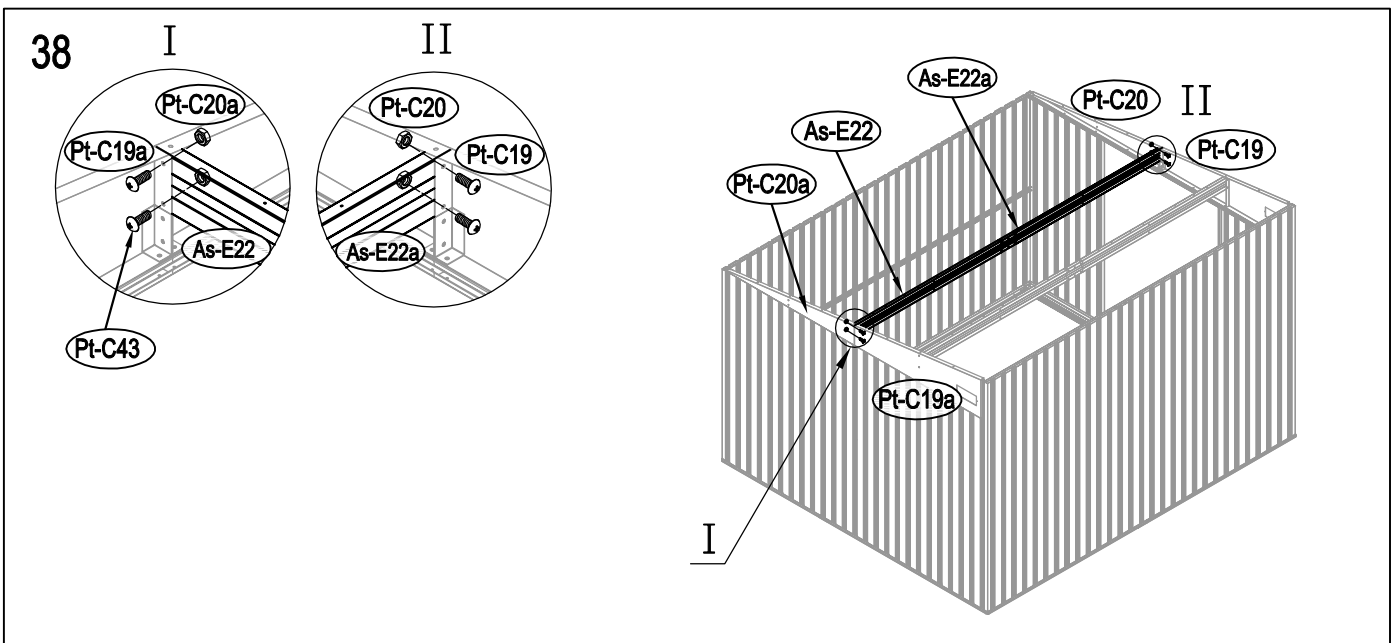
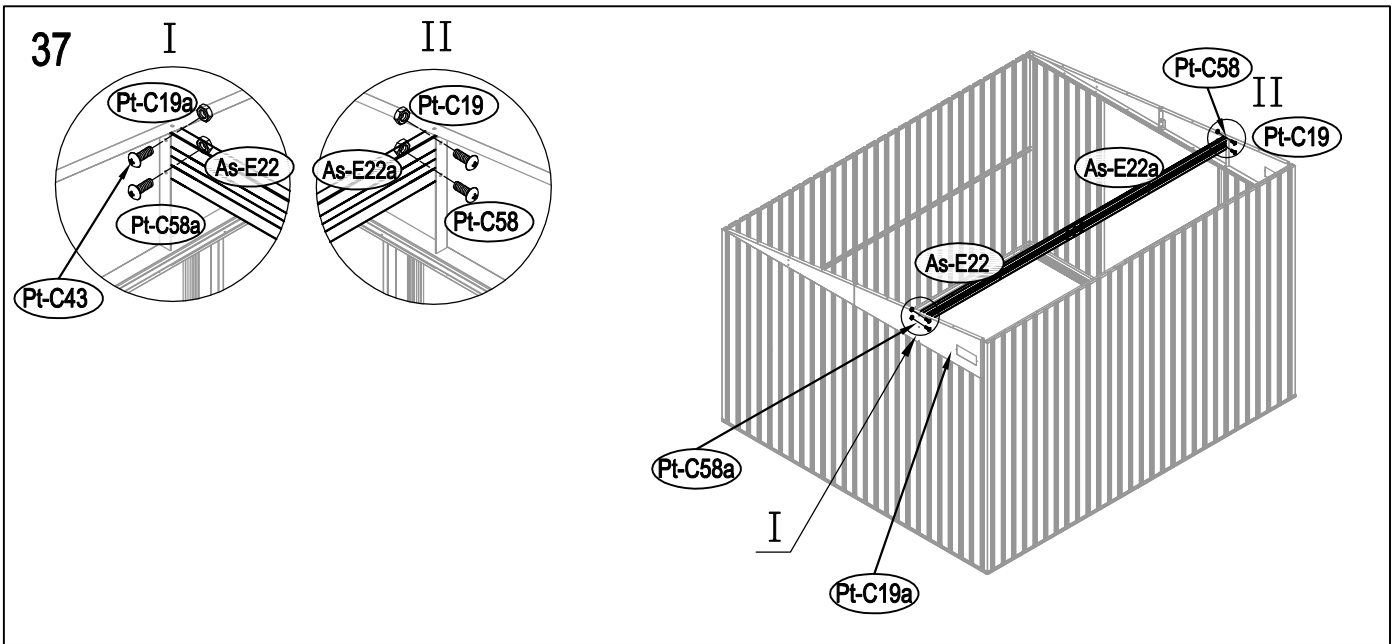


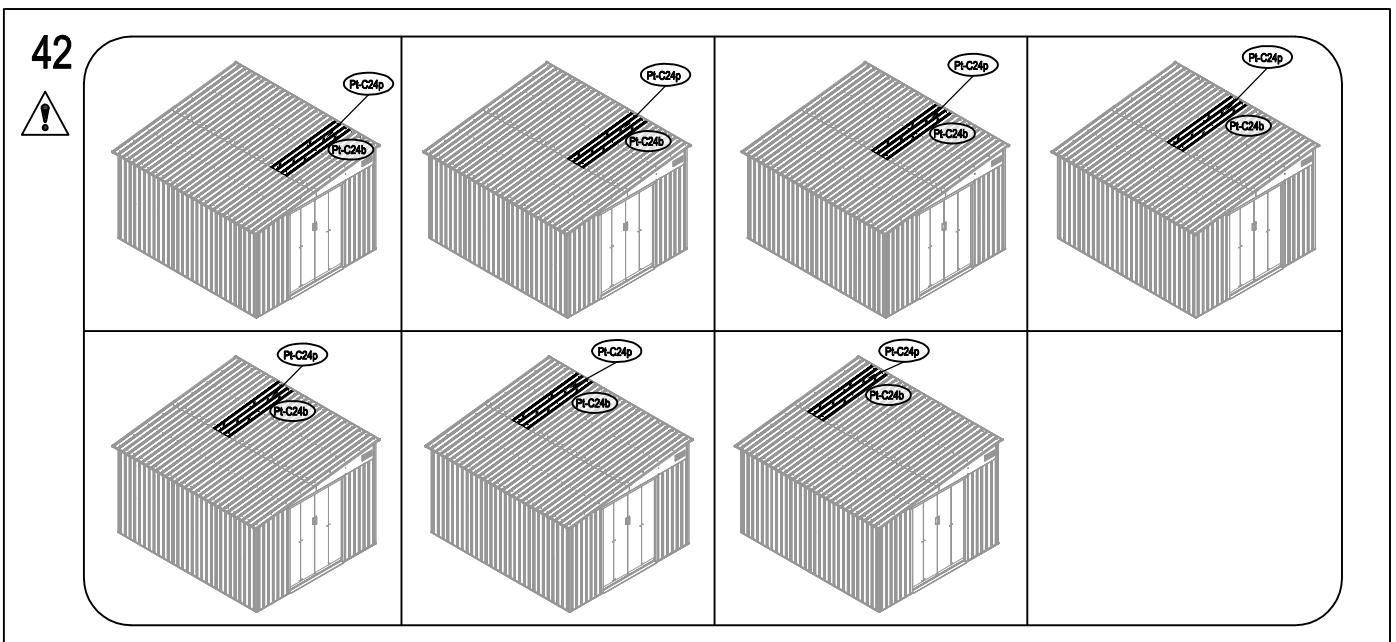
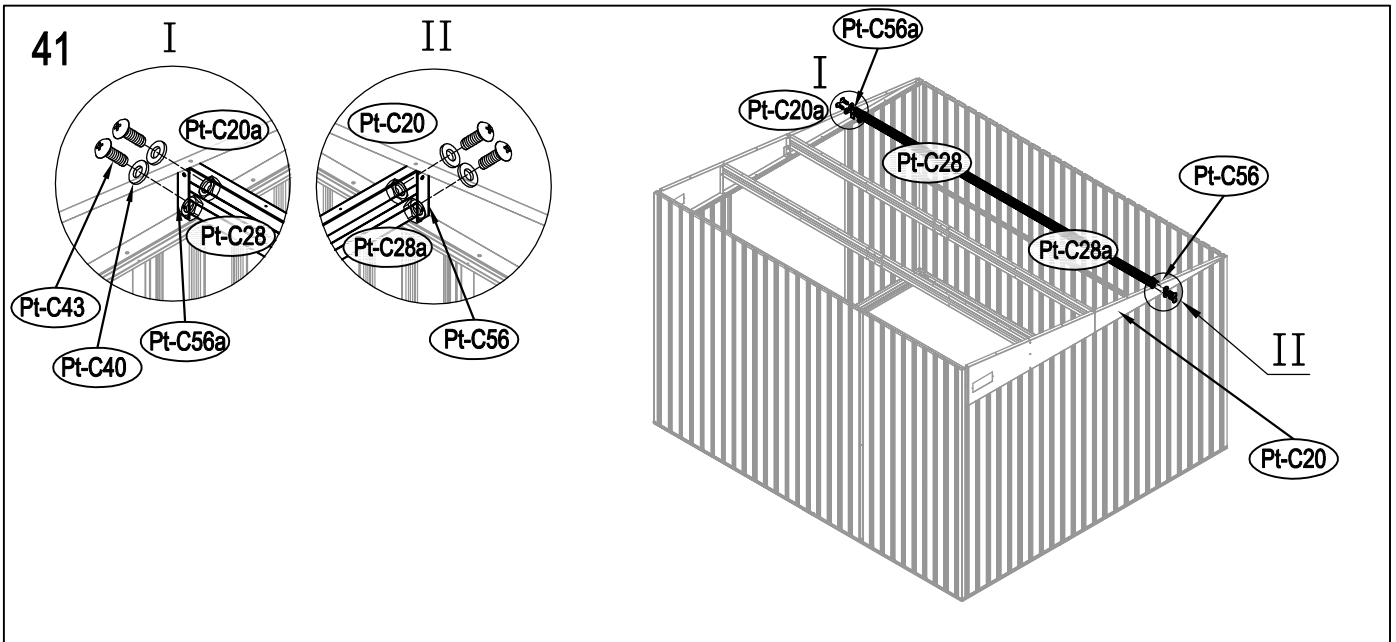
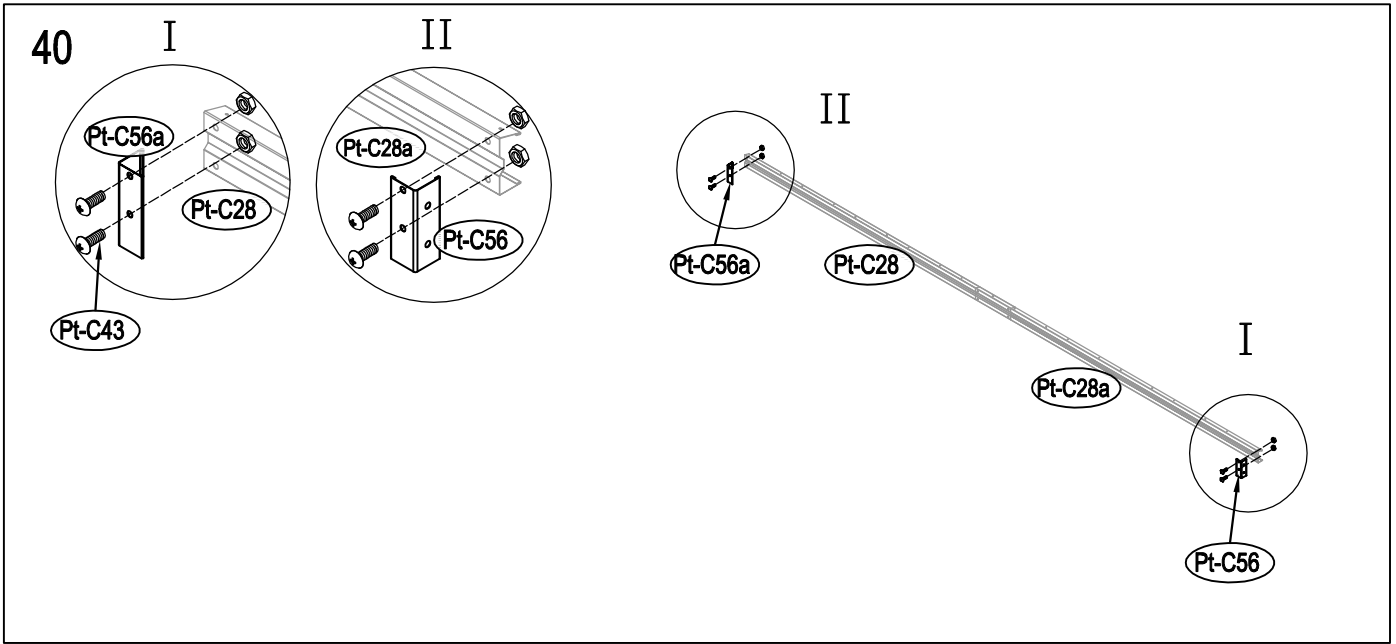


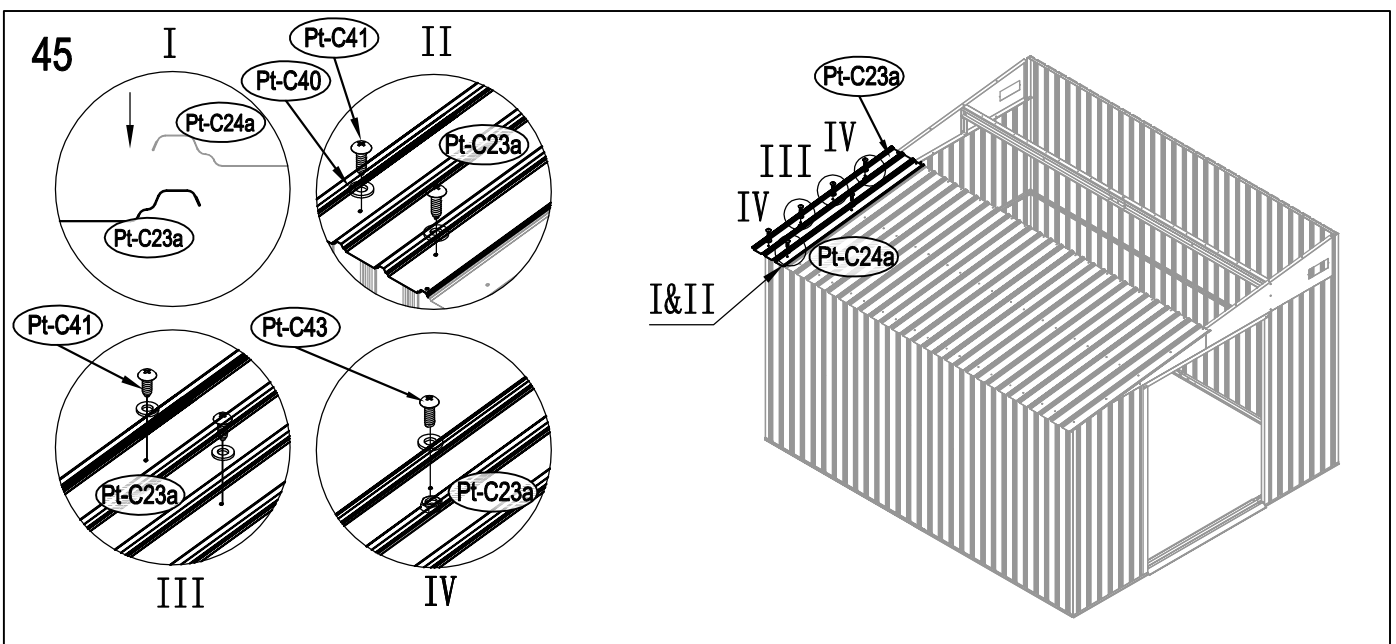
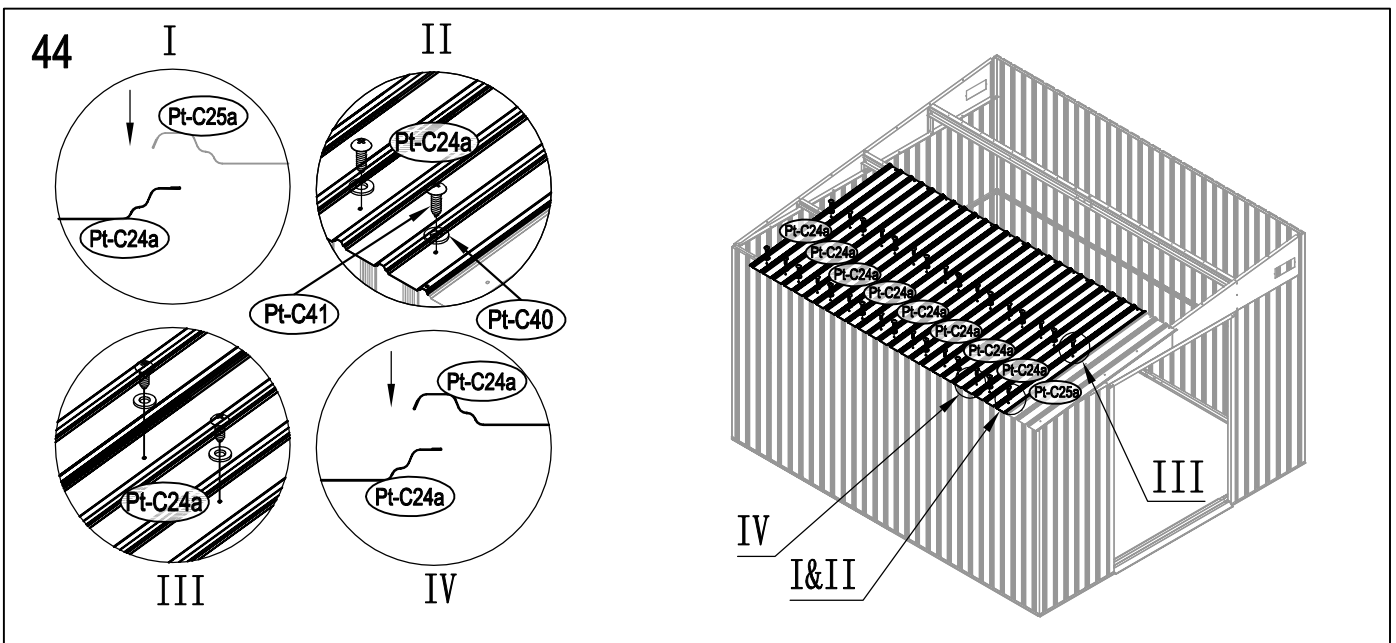
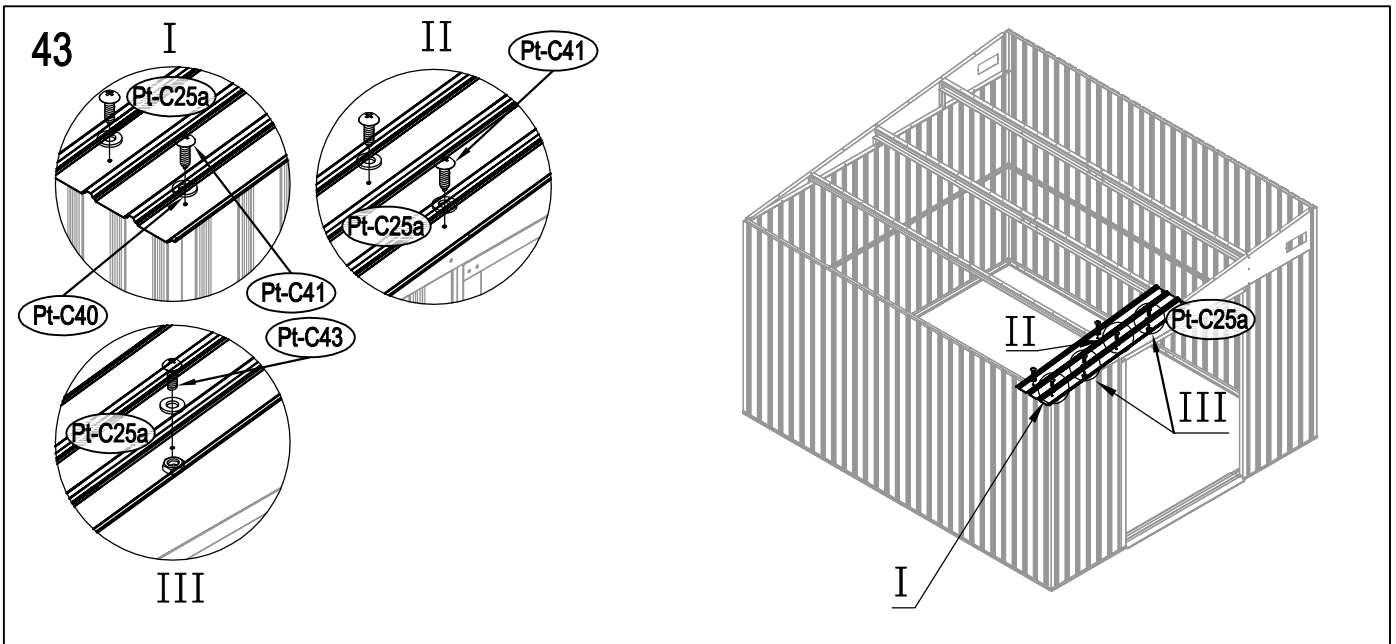


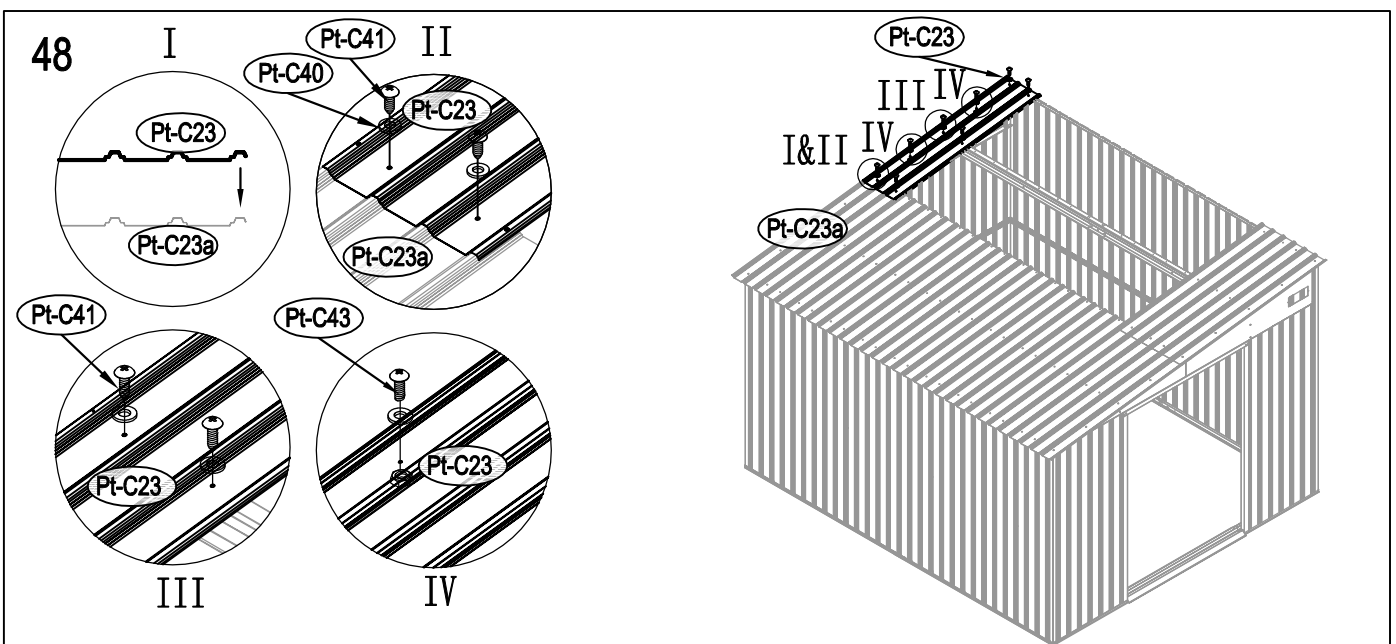
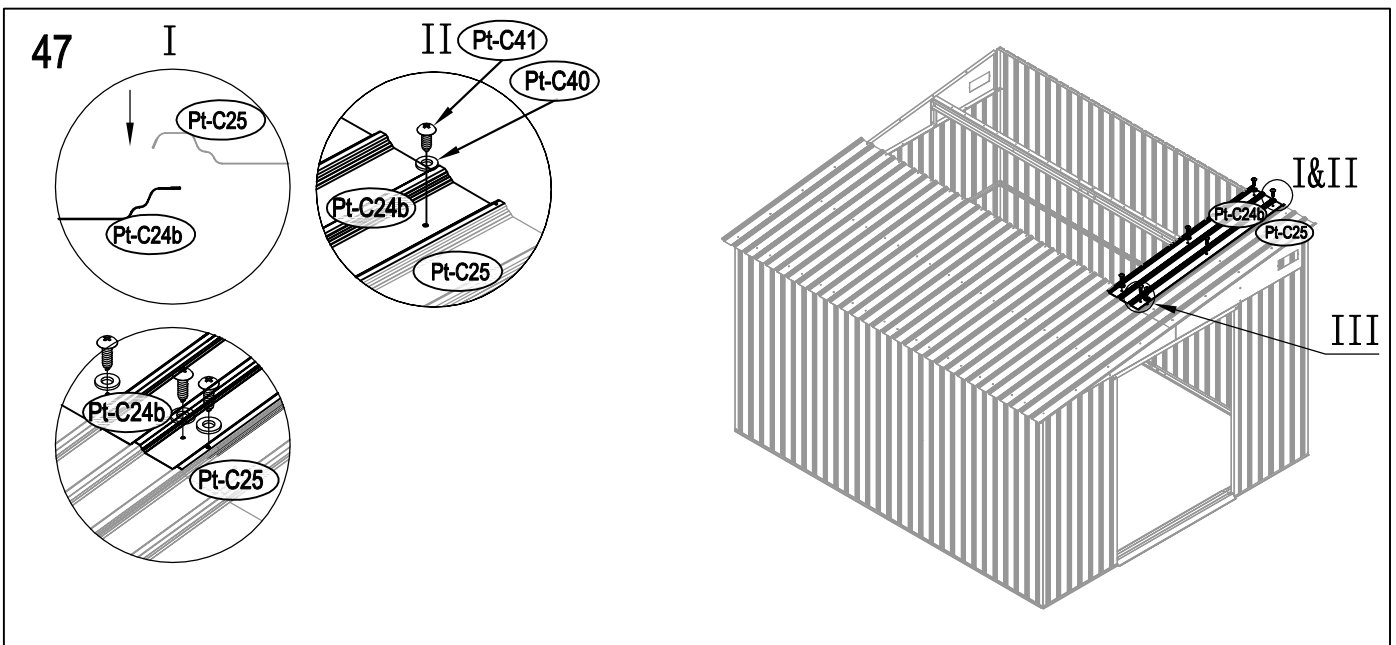
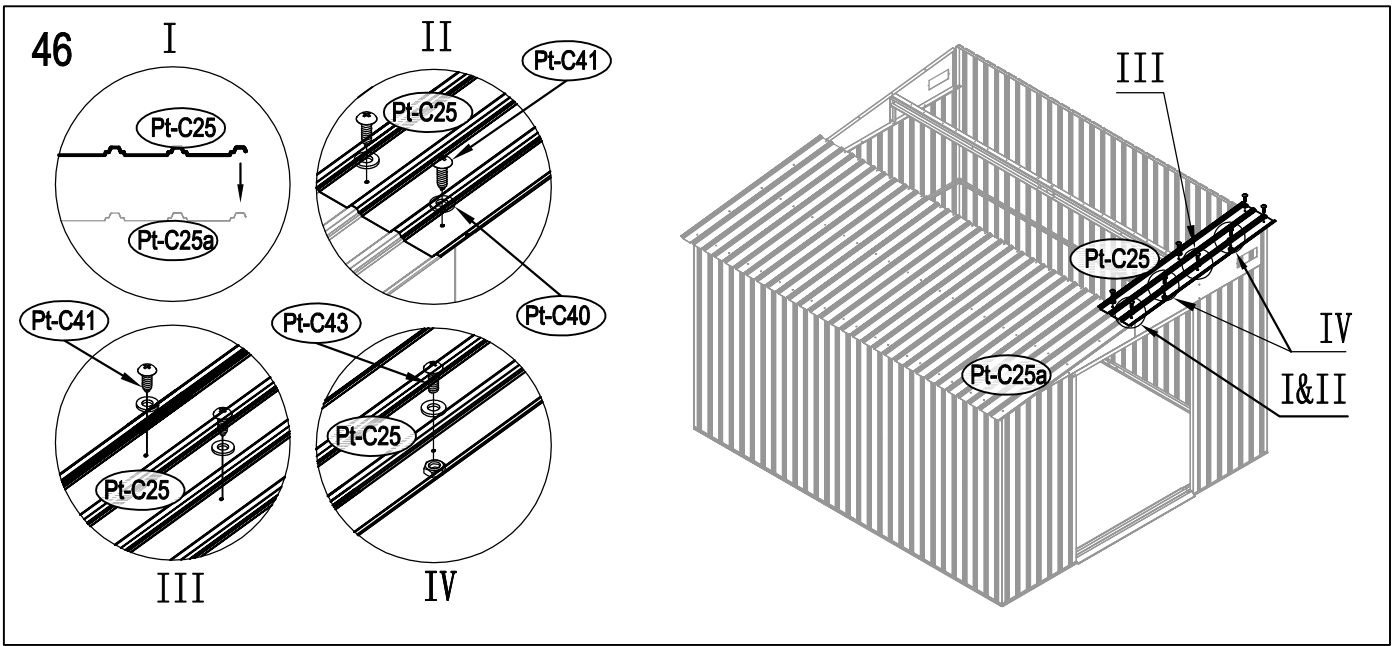


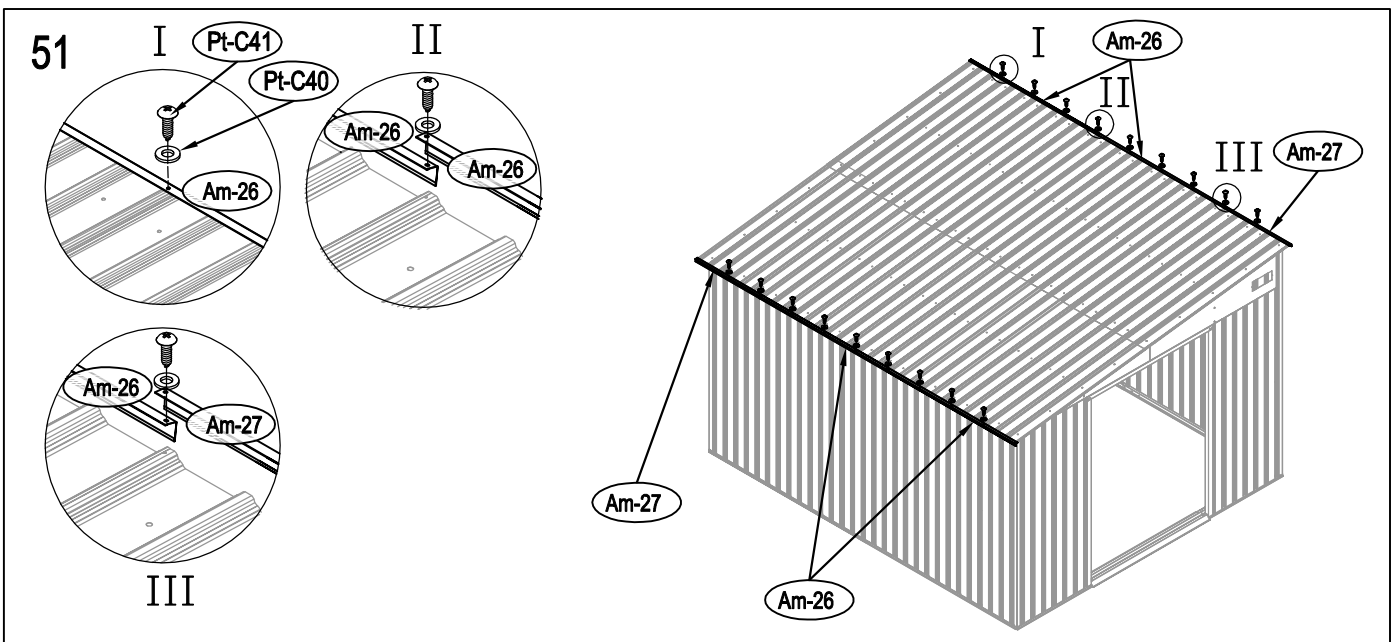
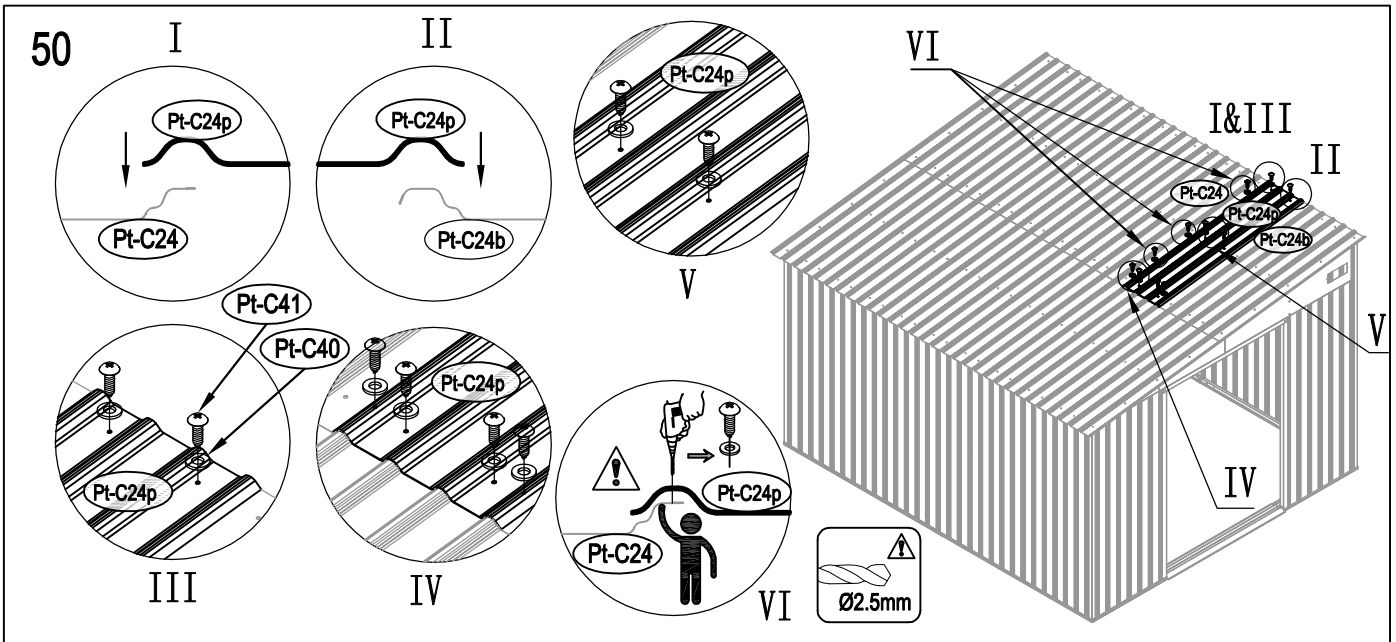
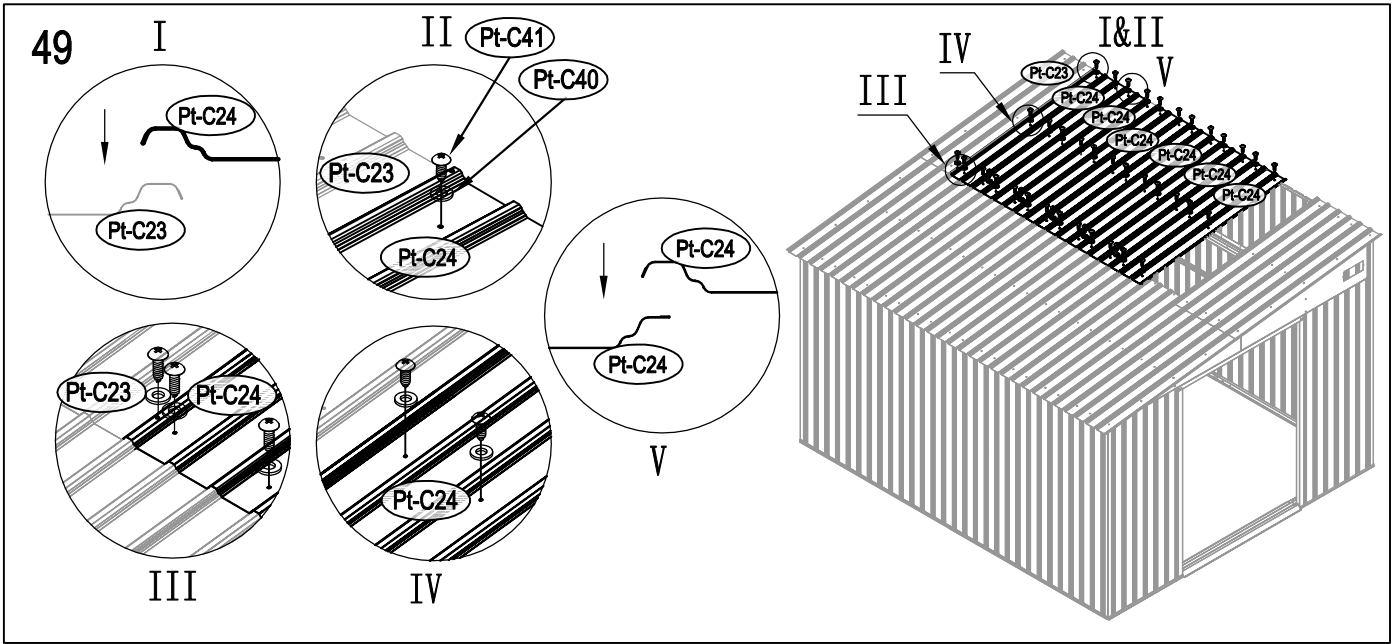


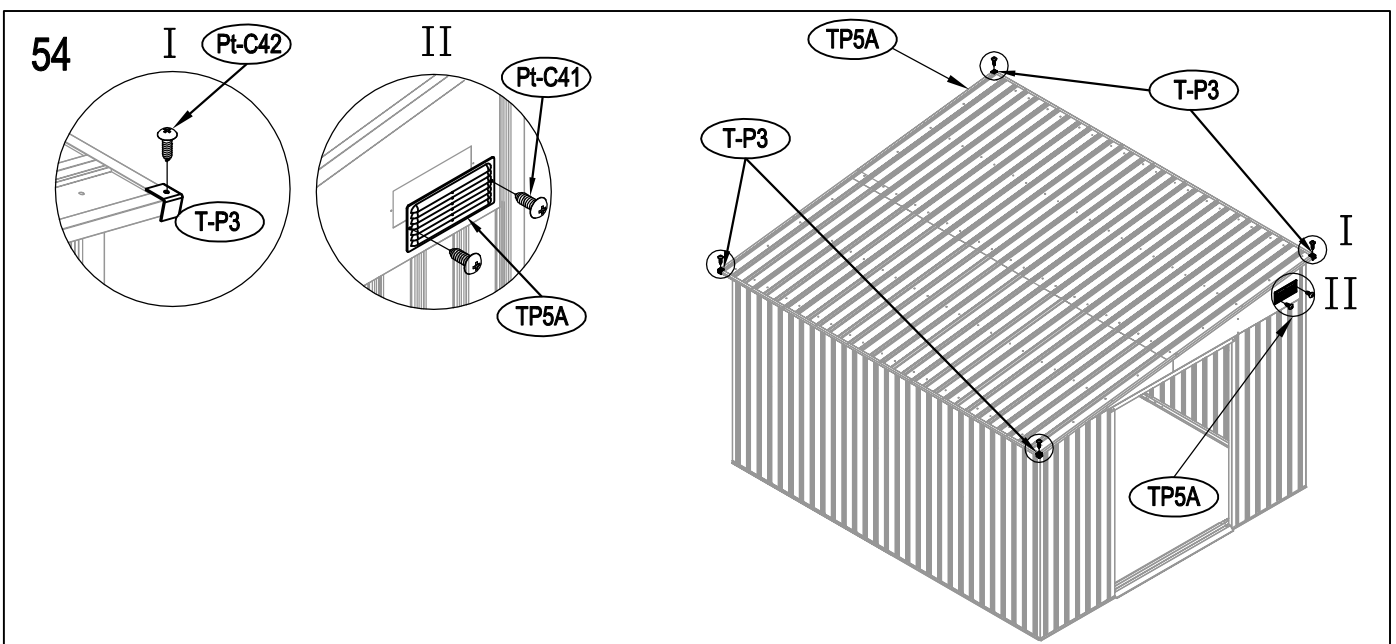
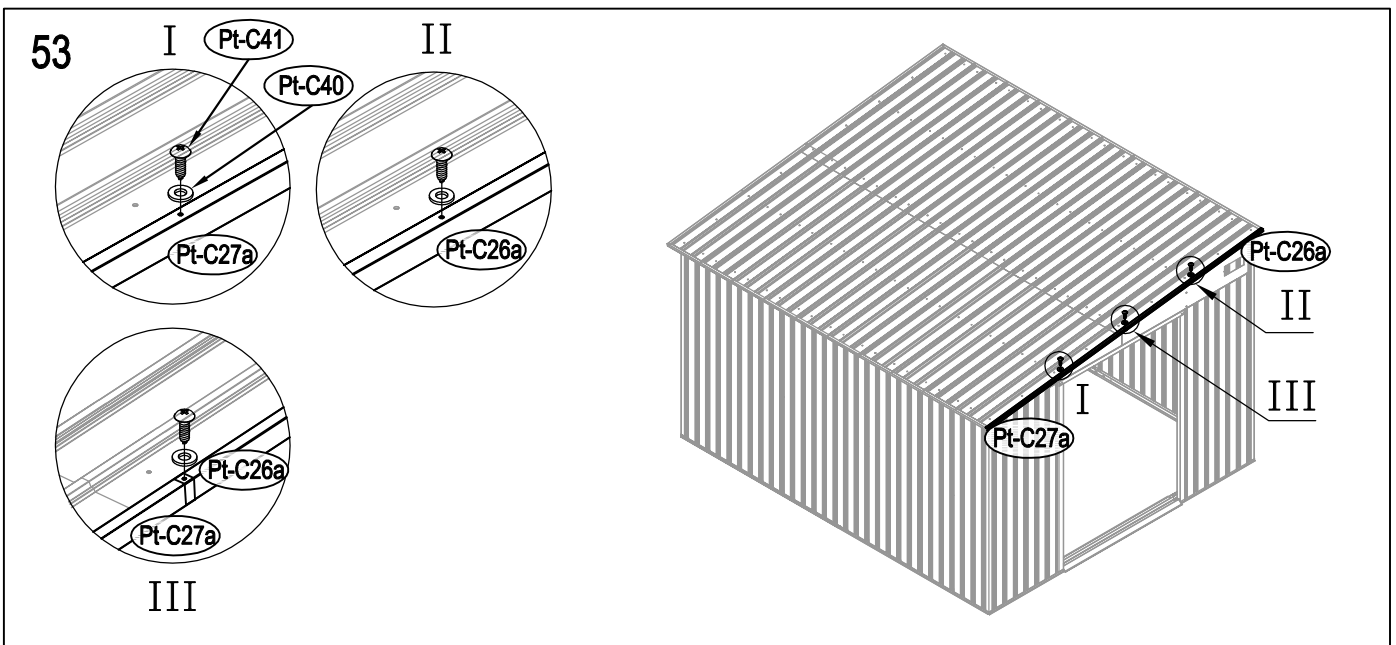
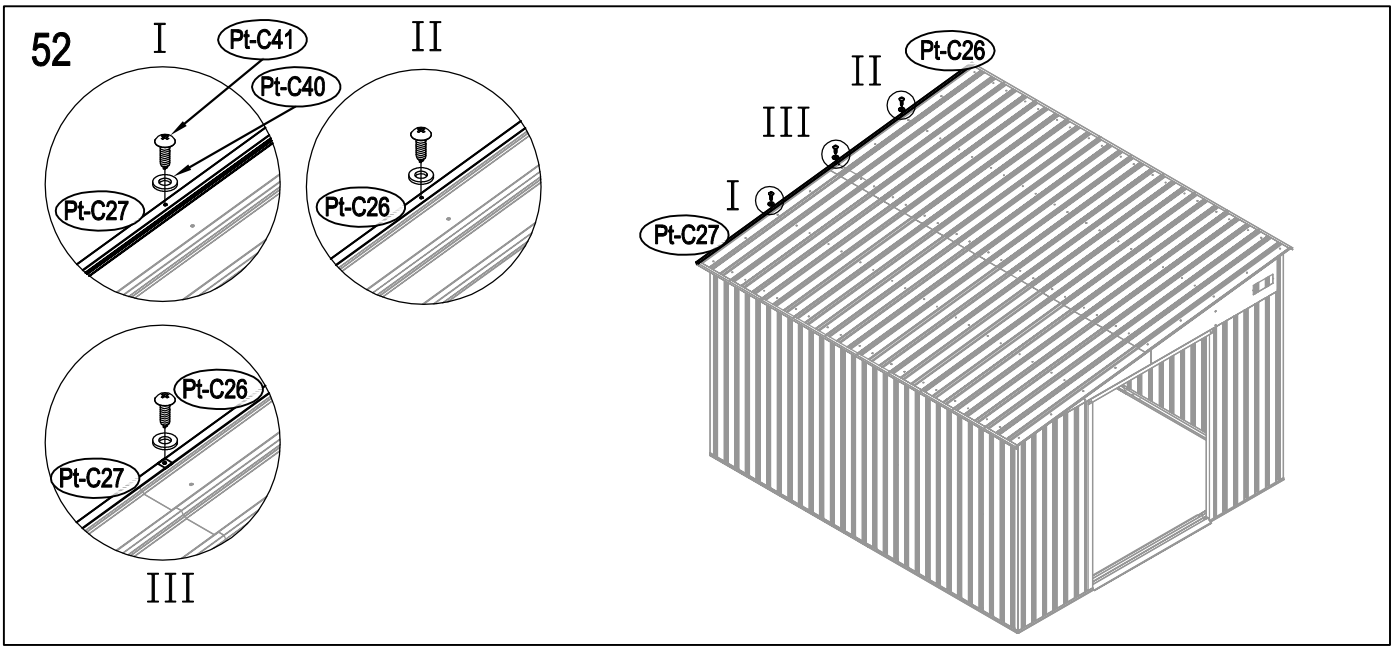






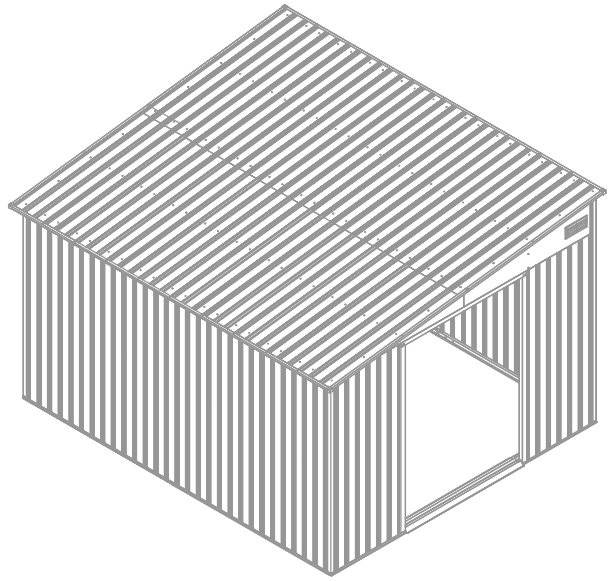
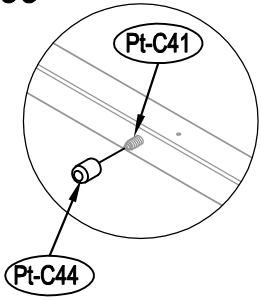




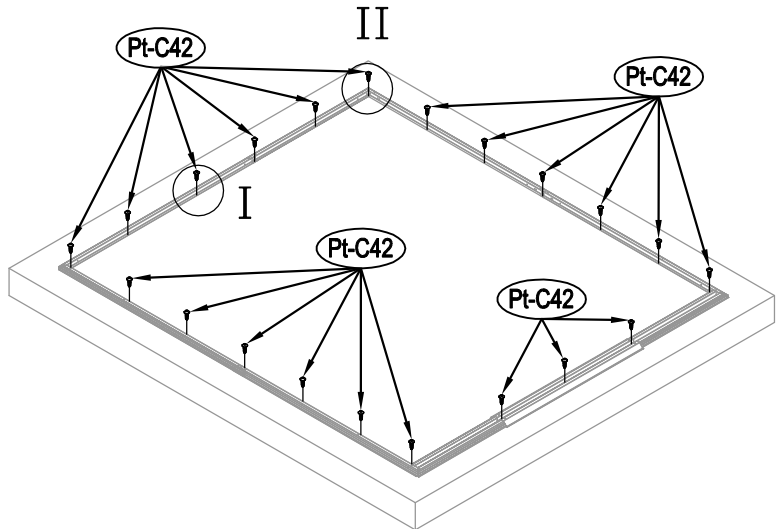
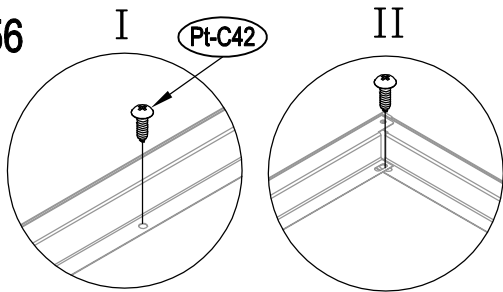


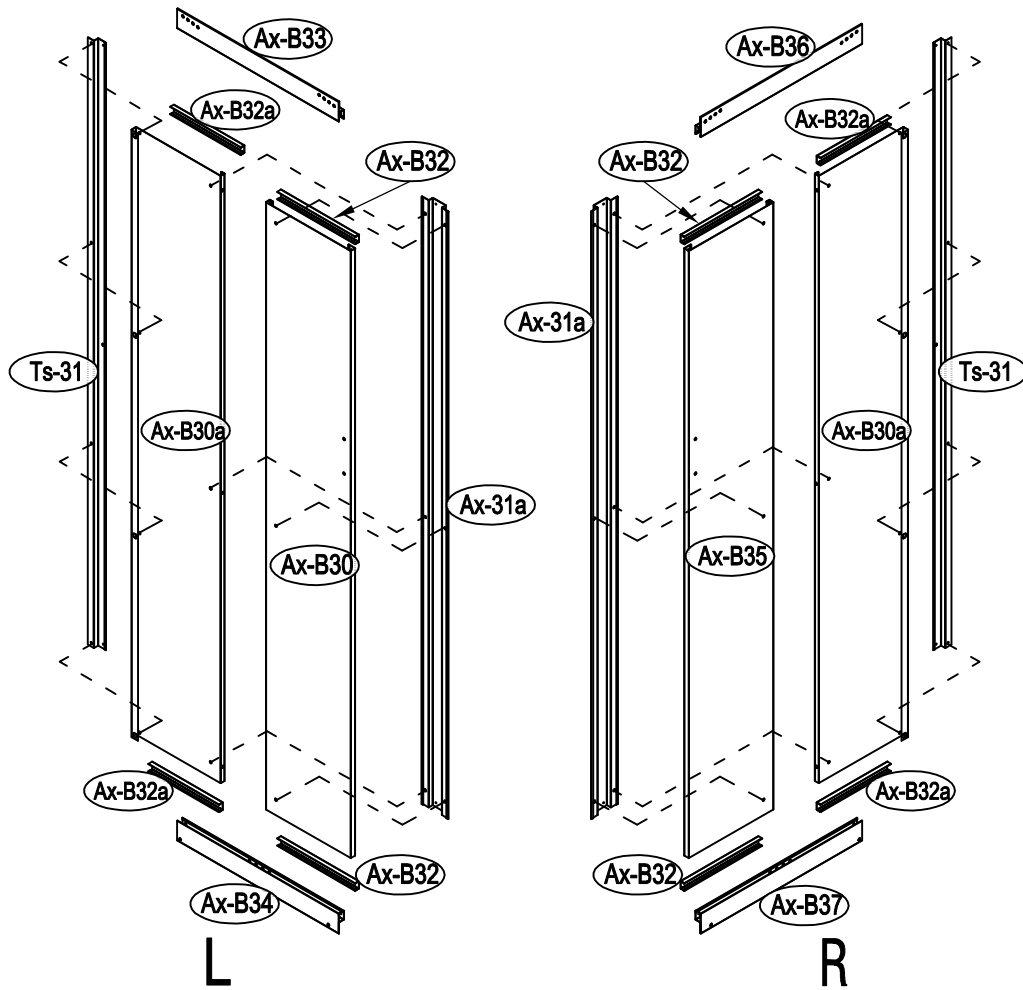


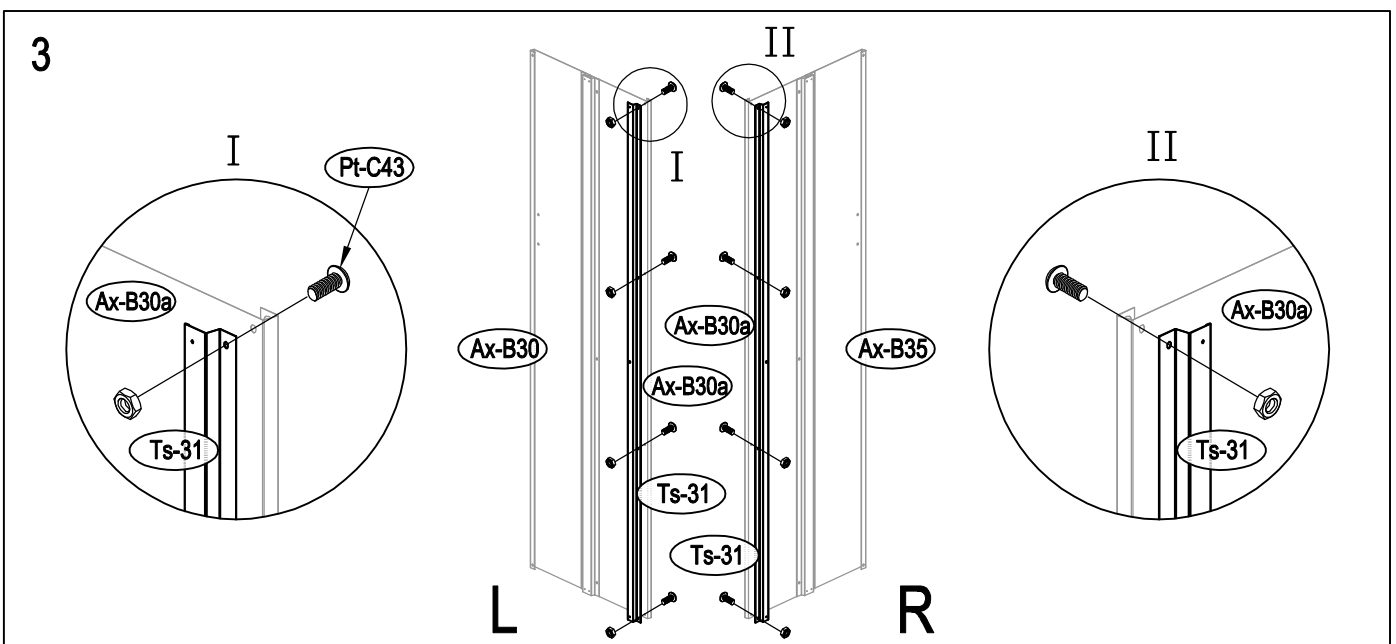
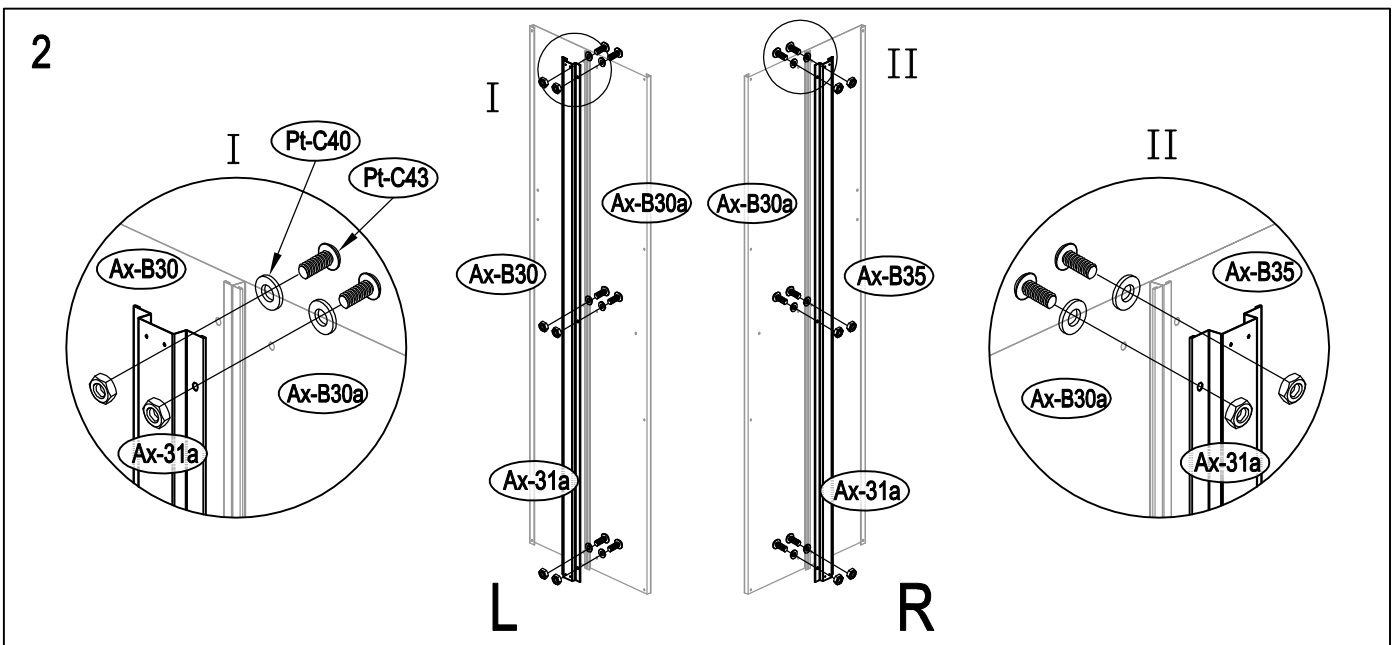
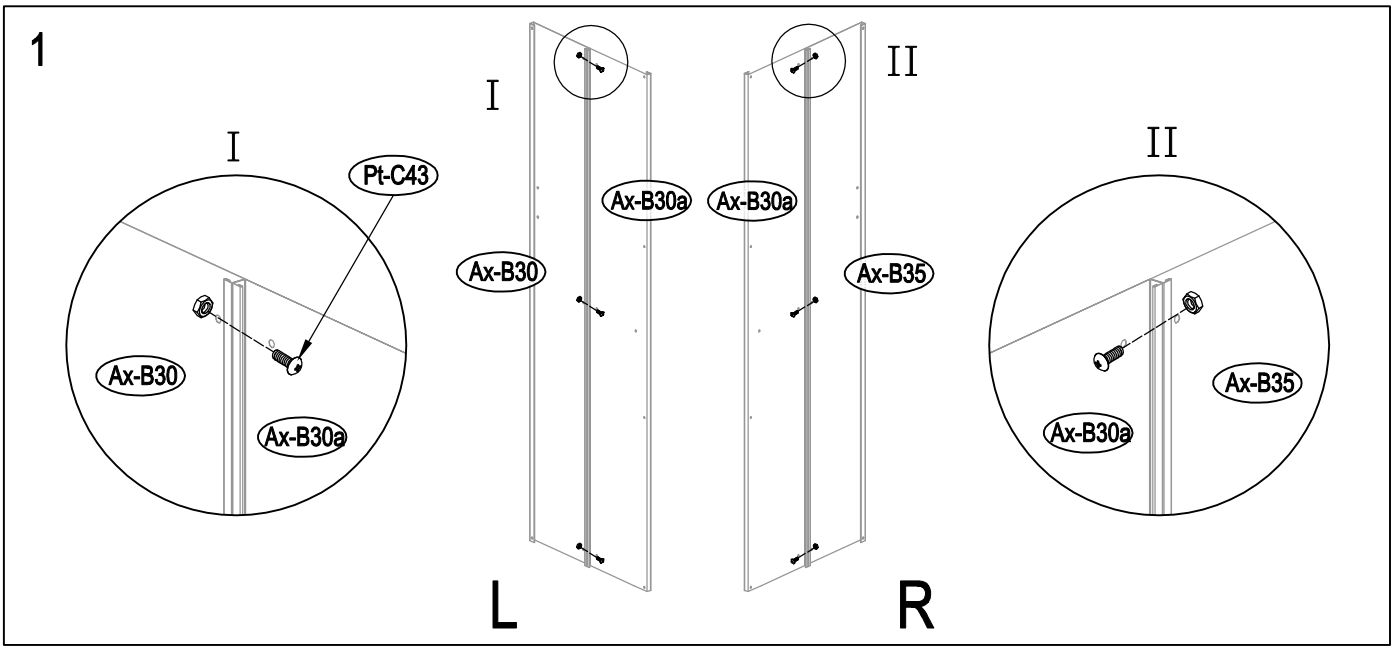
55

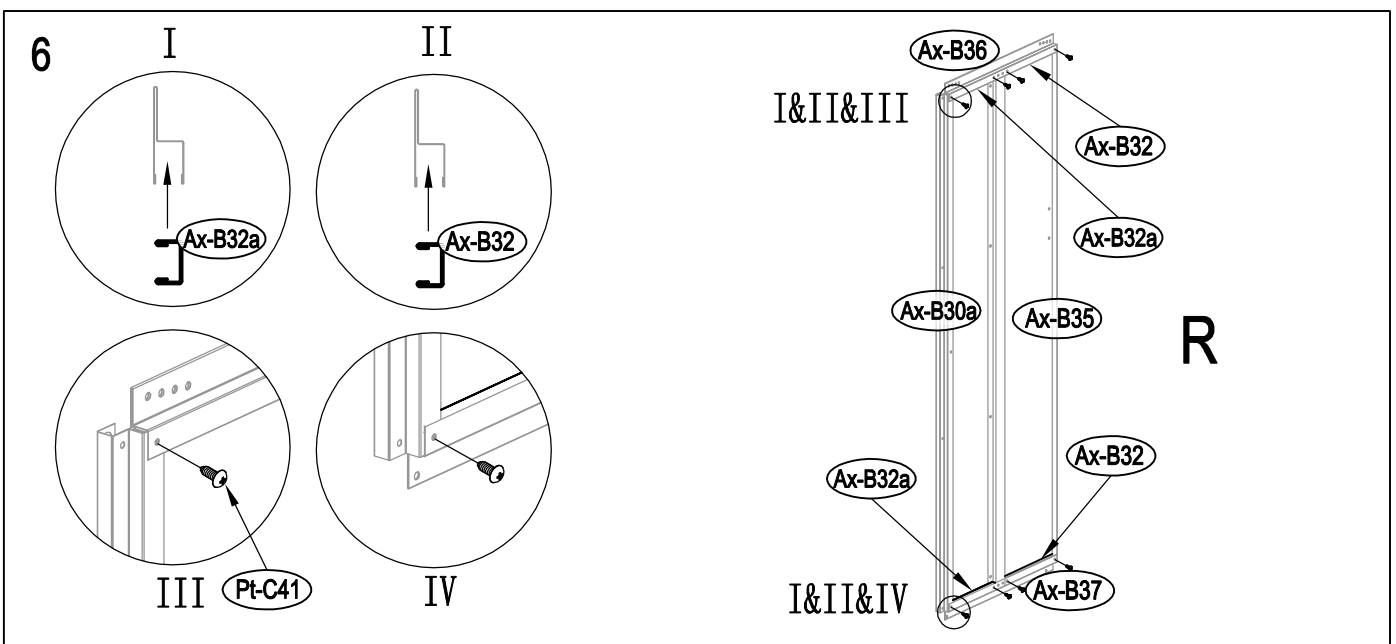
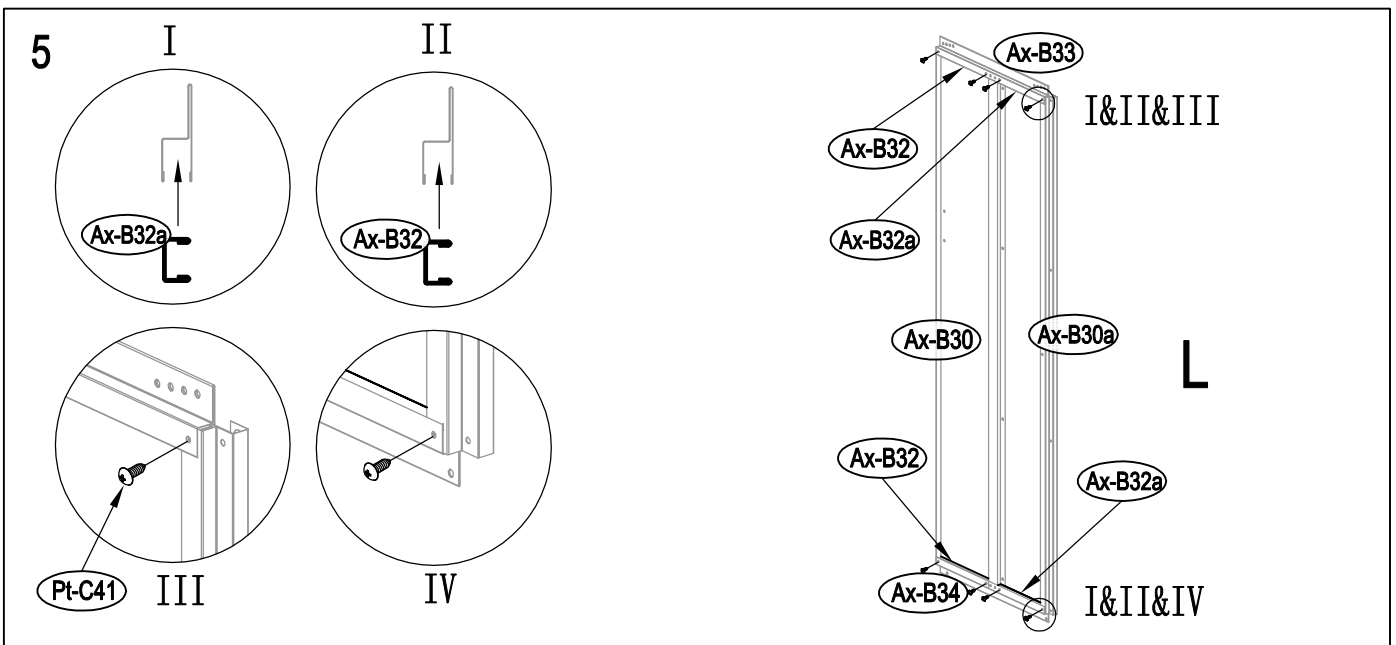
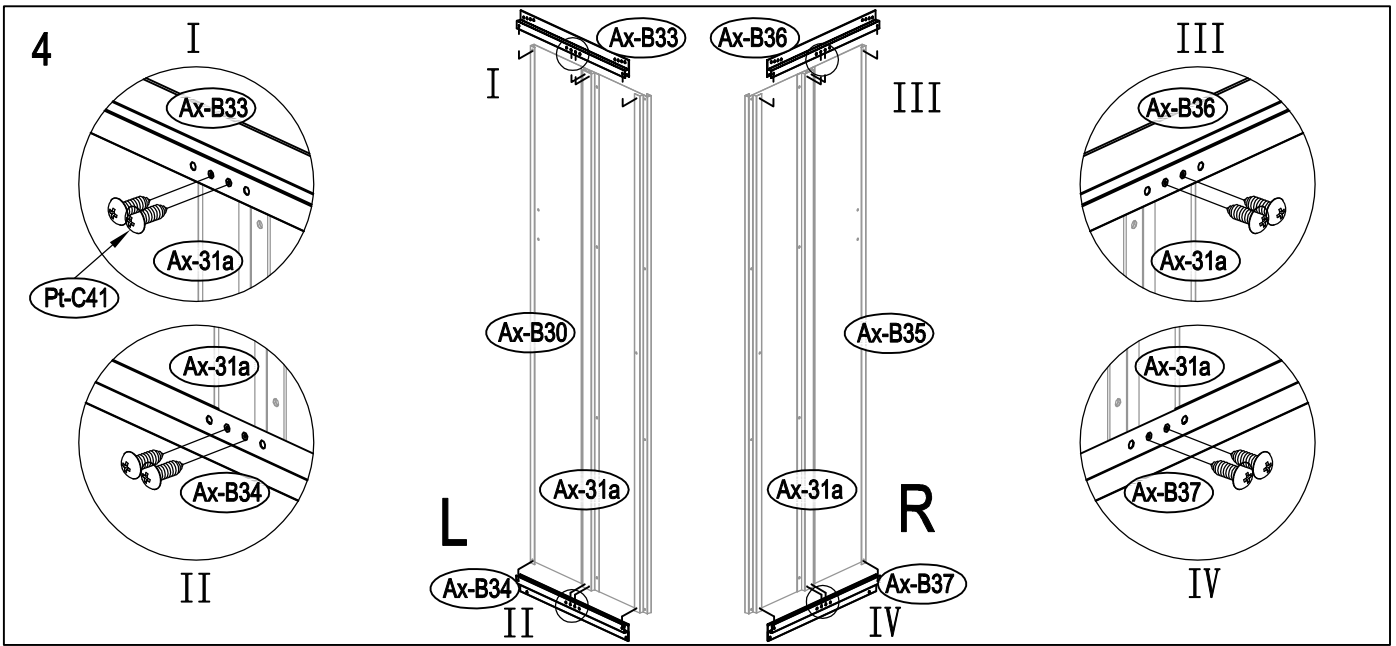


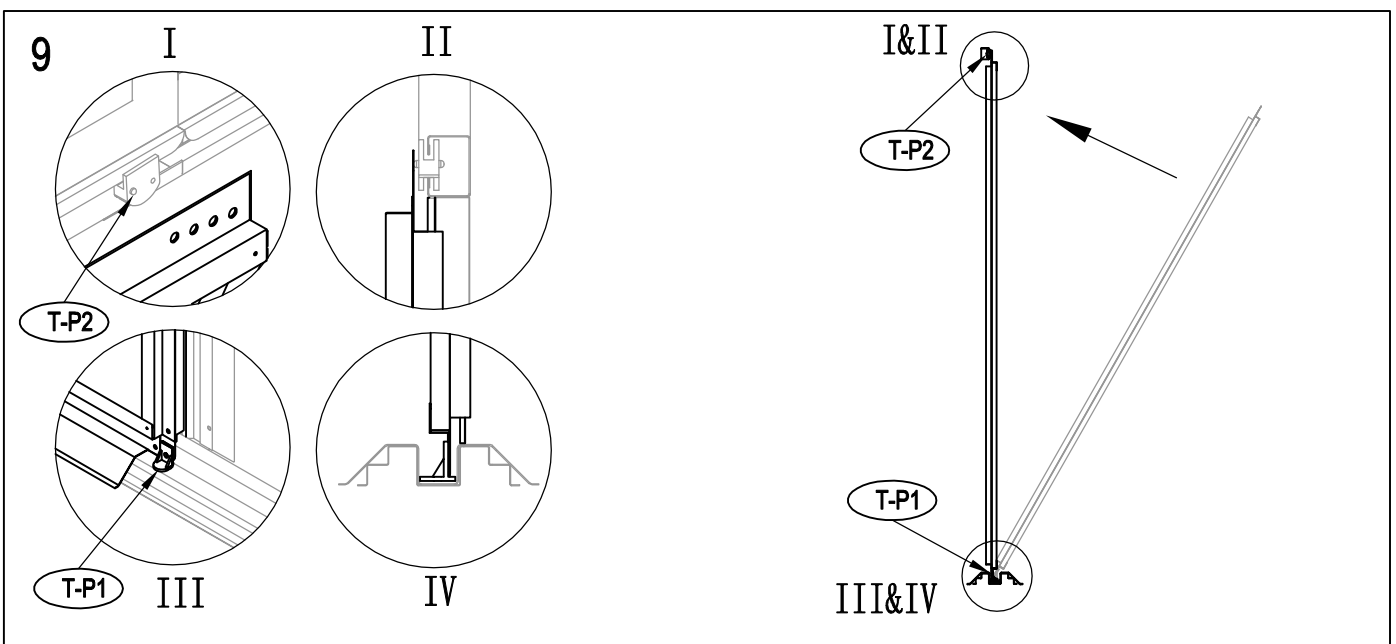
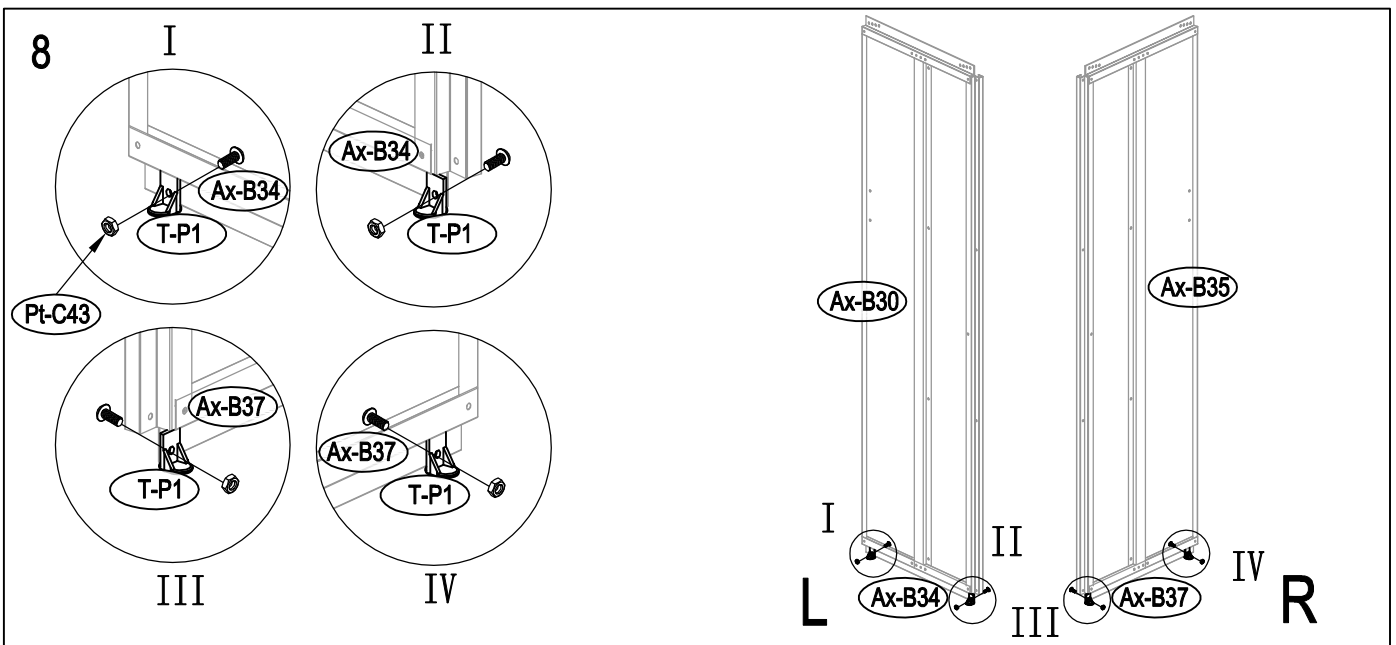
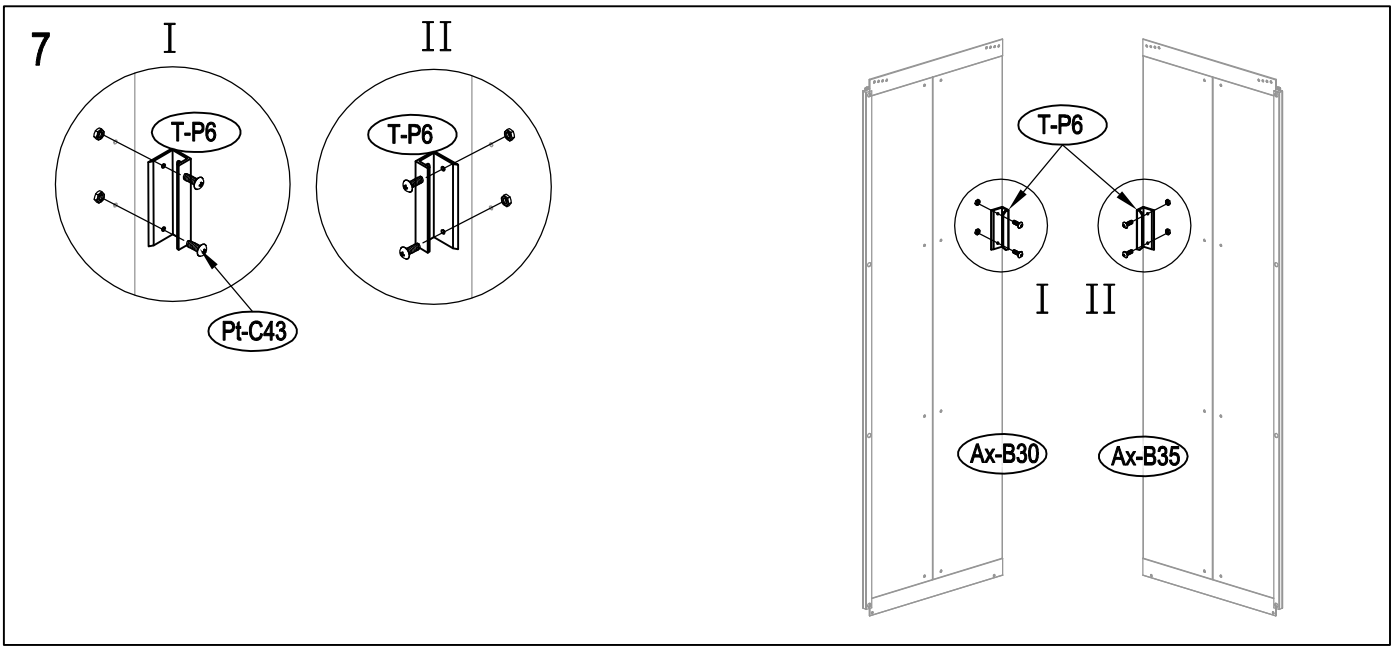
56

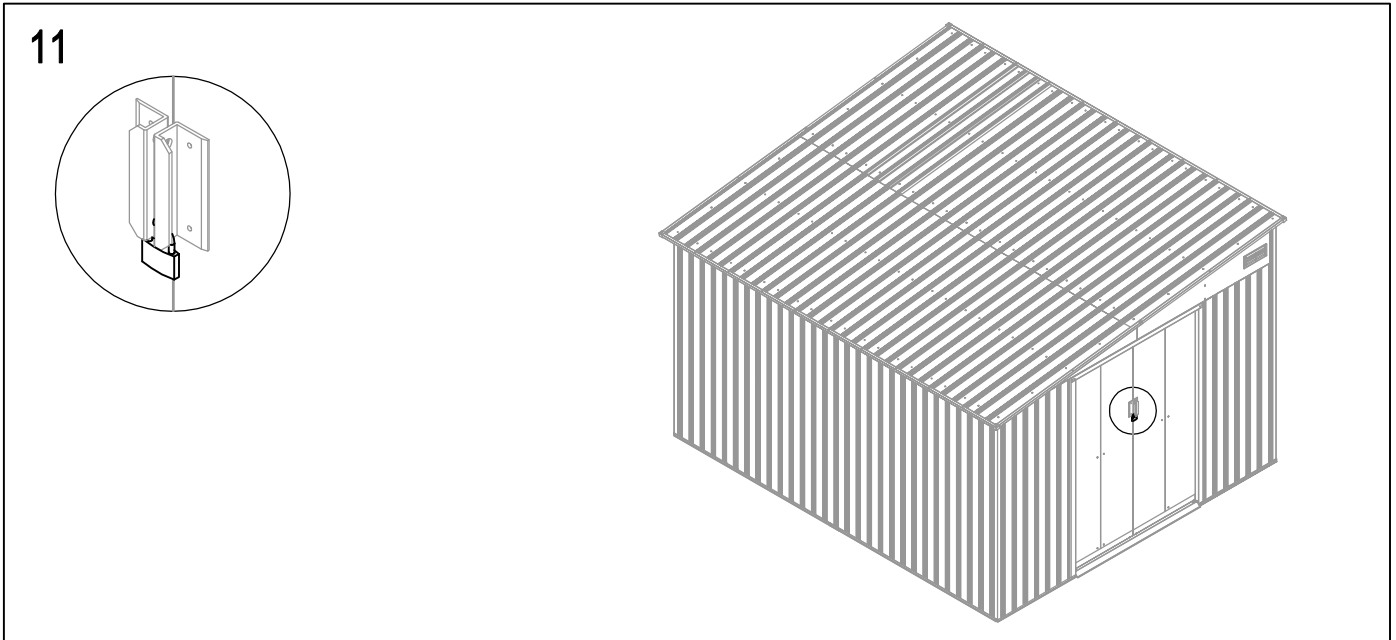
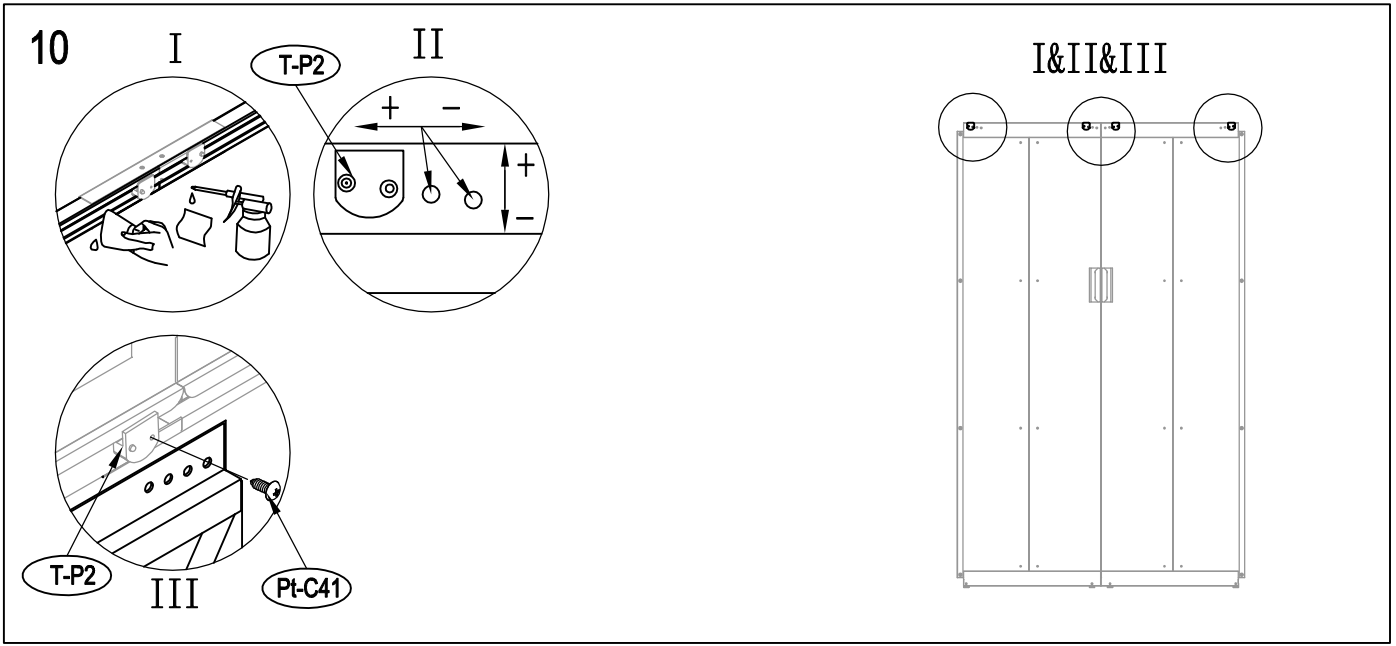










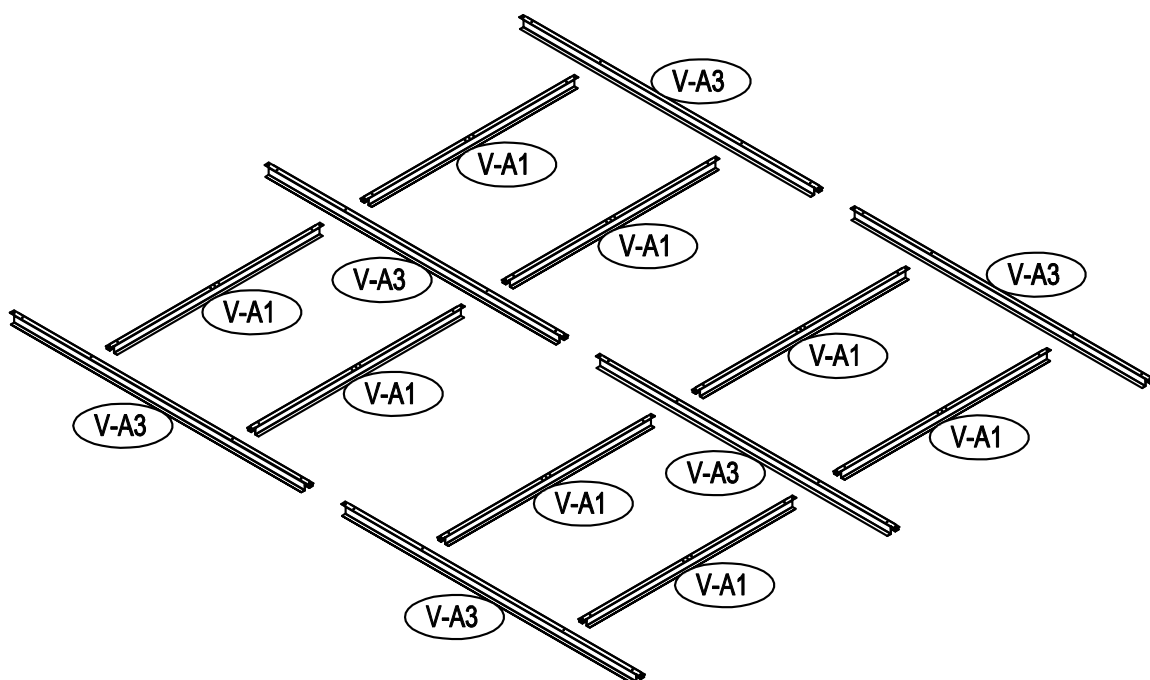


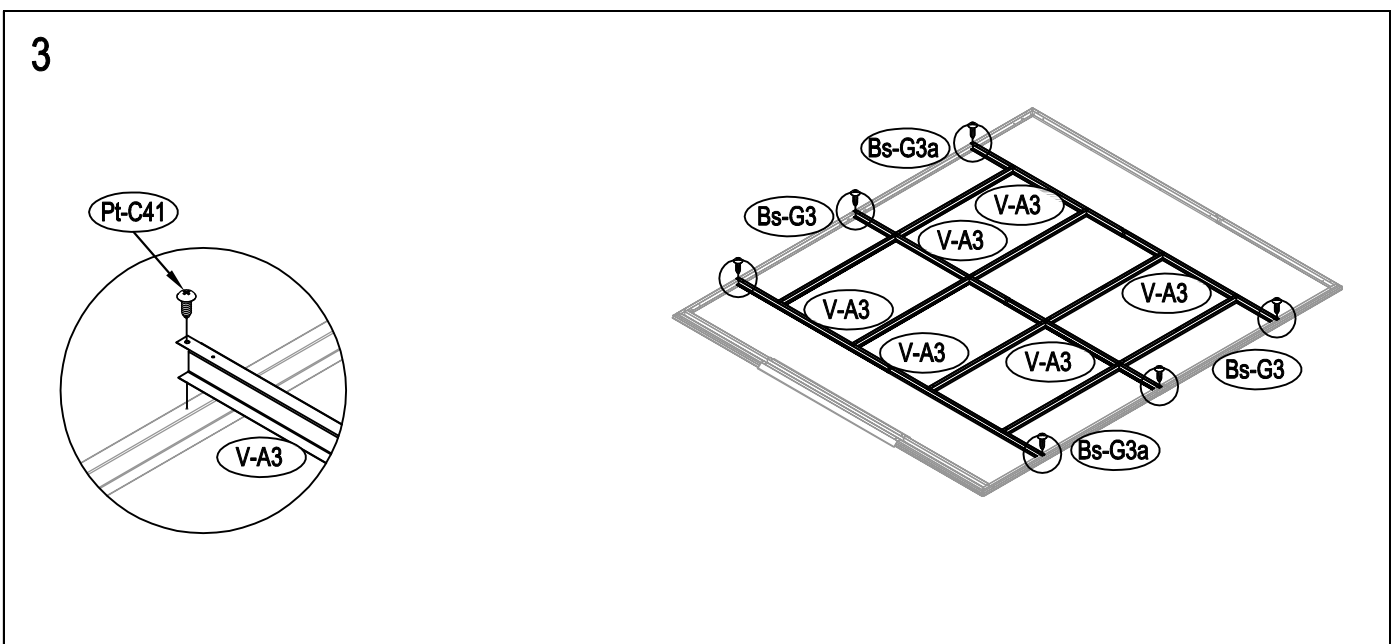
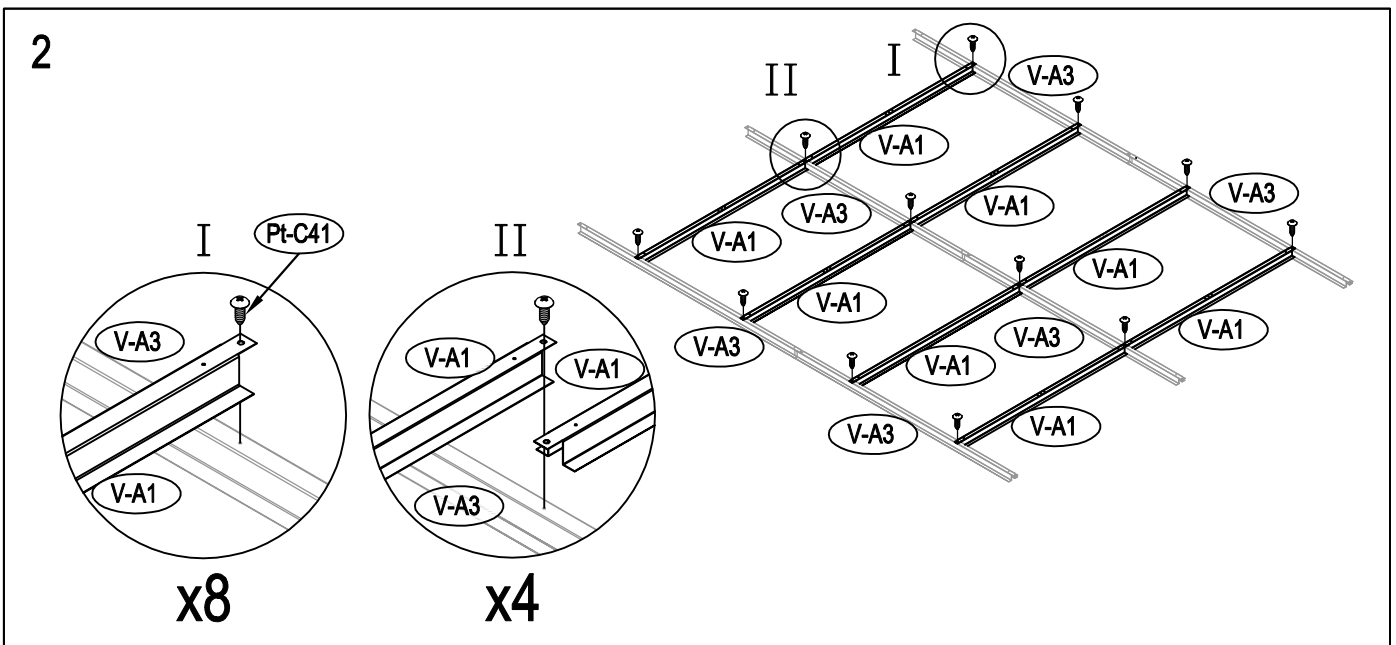
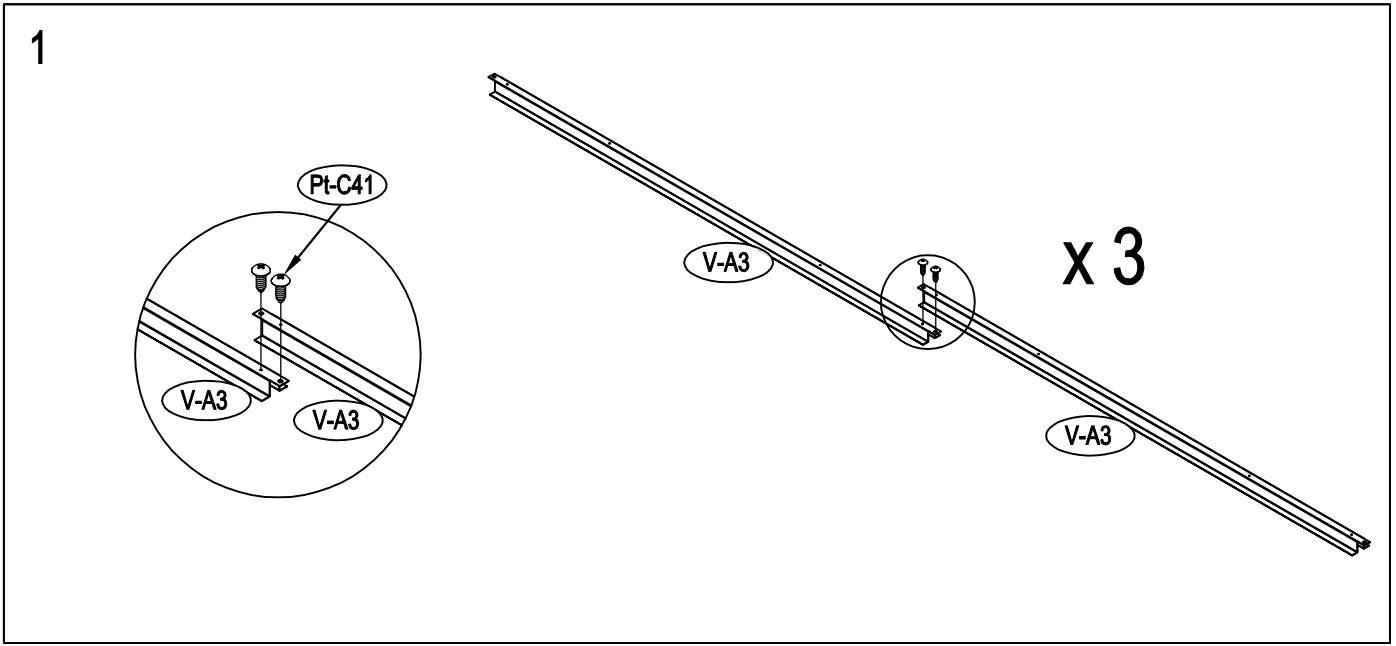
## Foundation Kit Assembly Instructions

The foundation kit can be used as base for plywood, sand or stone.  
PLEASE NOTE: Decking material and Self Drilling Screws for flooring are not supplied, the owner can buy them locally.

### Before You Begin:

1. **SAFETY FIRST:** Care must be taken when handling various pieces of your kit since some contain sharp edges. Please always wear work gloves (2 pairs of gloves are provided with the shed for safe construction), eye protection and long sleeves when assembling or performing any maintenance on your kit.
2. **GROUND MUST BE LEVEL!** Be sure foundation kit frames lie flat on ground. To prepare the earth bed, remove sod and other organic debris, level the high spots with a flat shovel, and tamp the bed down.
3. **DO NOT STEP ON CHANNELS** until flooring material is in place!
4. Be sure all the parts fit together properly before proceeding.







## Plywood Flooring

**NOTE: Decking material and self drilling screws for flooring are not supplied, the owner can buy them from local stores.**


### A) Plywood requirement:

Recommended minimum thickness: 16mm (5/8"), **Exterior Grade.**

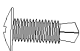
**NOTE:**

Pressure Treated Lumber **must not** be used because it may cause corrosion when in contact with metal shed.

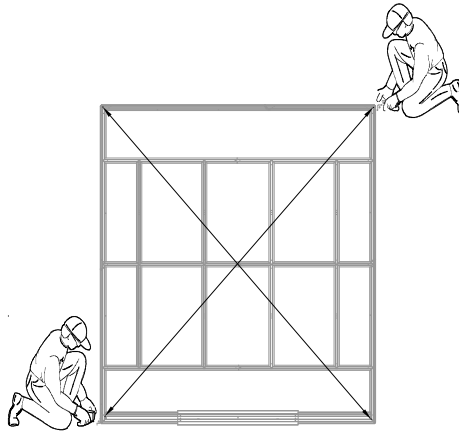
### Recommended dimensions and qtys for plywood flooring

Image	mm	Qty
	354x974x16	2
	354x1008x16	2
	354x1025x16	2
	634x974x16	2
	634x1008x16	2
	634x1025x16	2
	655x974x16	1
	655x1008x16	1
	655x1025x16	1

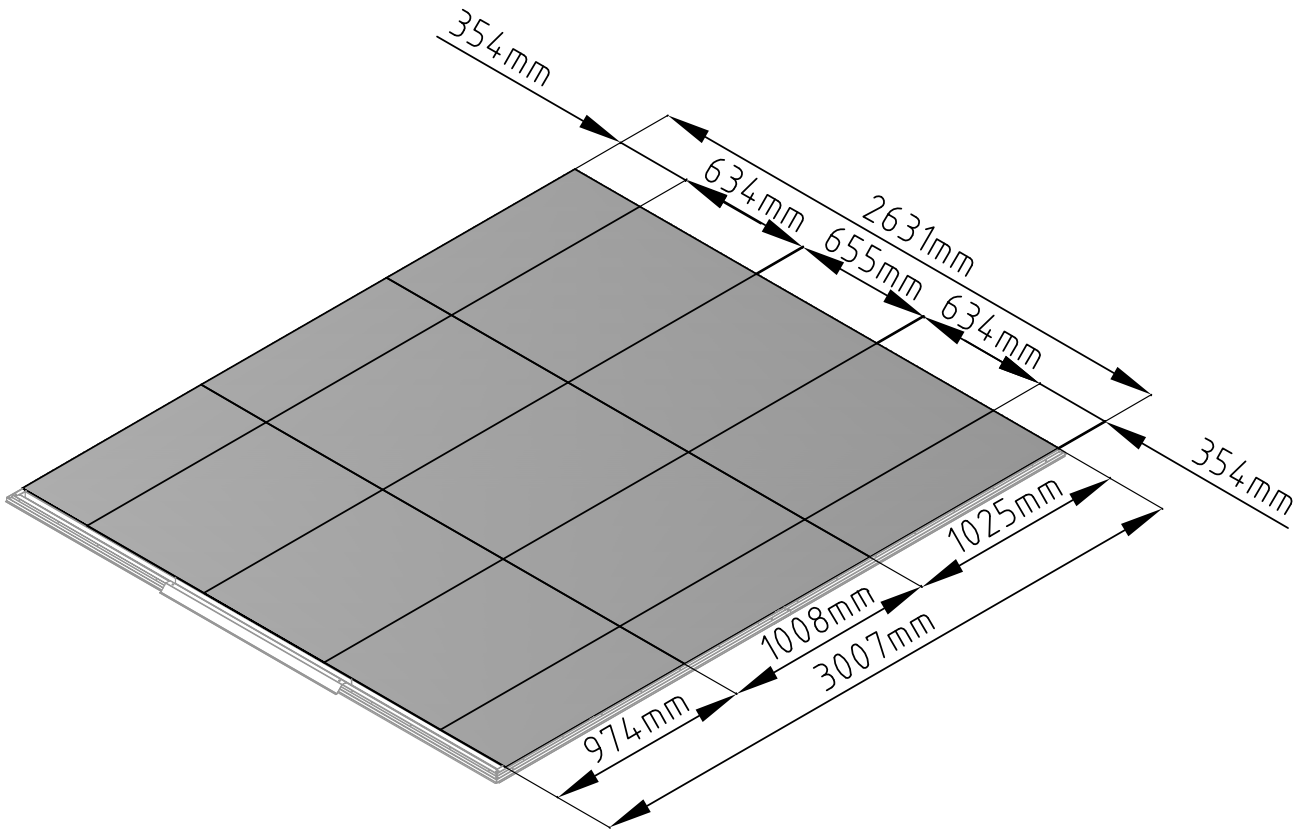
### B) 25-35mm long self drilling screws to secure Plywood Flooring.

Image	mm	Qty
	st4.2x25~35	44

1. Make sure the foundation kit frames are square and level .



2. Cut Plywood to recommended dimensions.



### 3. Fasten Plywood to foundation kit frames with self drilling screws .

