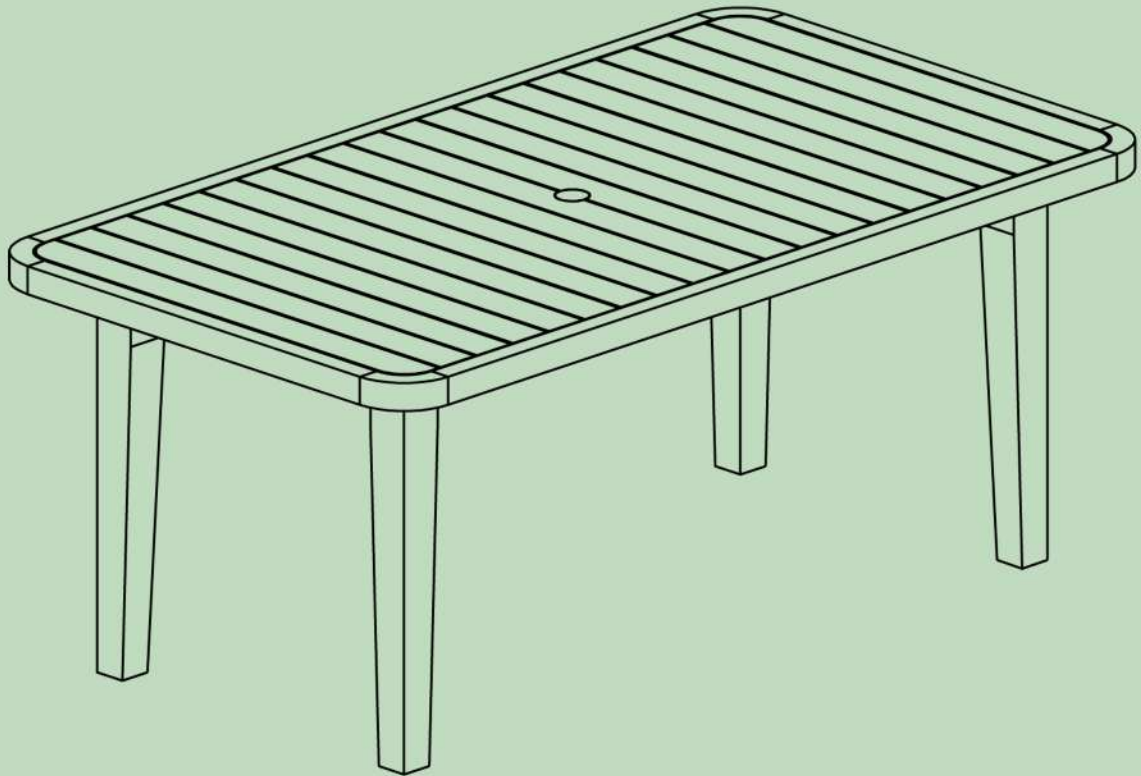


FSC 1 BROADWAY 180 X 100 EUCALYPTUS TABLE

Instruction Manual

Product size:
W180*D100*H75cm



FSC EUCALYPTUS

FSC 1 BROADWAY 180 X 100 EUCALYPTUS TABLE

Instruction Manual

Before you start

Warnings

Important: RETAIN FOR FUTURE REFERENCE: READ CAREFULLY

See enclosed instructions for assembly, safety and care information.

Failure to follow the warnings could result in serious injury.

Ensure that this product is fully assembled as illustrated before use.

This product should only be used on firm, level ground.

Keep small parts out of reach of children.

Ensure safety lock is correctly located and locked in place.

Do's

When you are ready to start, make sure that you have the right tools, plenty of space and a clean, dry area for assembly.

Unwrap all packaging materials and place the components on top of the carton box or on a clean floor to prevent it from scratching.

Check the pack and make sure you have all the parts listed.

Check all screws or bolts are tightened and inspect regularly.

Make sure the legs remain in contact with the ground.

We recommend the use of furniture covers to protect your product when not in use.

During bad weather and winter months the product should be stored in a cool dry place. Before storage ensure that it is clean and dry.

Timber is a natural product and contains coloured resins which may initially bleed out of the timber when its gets wet. Therefore we recommend that care is taken to protect patios and decking from possible staining where the product comes into contact with the ground. The furniture will stabilise in its environment after the first few times it gets wet.

Wood is a natural material whose appearance will deteriorate when left outside. A surface coating is vital in protecting it from premature darkening, or splitting, when exposed to the weather. The finish should be regularly maintained to ensure that the wood is protected from moisture and the furniture continues to look at its best.

This product has been treated with furniture oil during manufacture and the wood requires further treatment before being left out side.

When applying furniture oil particular care should be given to the end grain and any joints or crevices, please note that is the products needs to be put together the first coat should be applied to all wood surfaces before assembly.

To prolong the life of this wooden furniture, it should be protected from severe weather and stored under cover during winter. A liberal coating of furniture oil should be given to the furniture before it is laid up, and again when it is removed from storage.

Should you choose not to treat your furniture, then it will turn a greyish colour and develop cracks. Light sanding can restore the original colour after which furniture oil can be regularly applied in accordance with the instructions above.

To clean wipe with a sponge and warm soapy water then wipe with a dry, clean cloth.

Don't's

Do not use power tools to construct this product.

Do not tighten screws until fully assembled.

Do not overtighten screws or bolts.

Do not use this product if parts are missing, damaged or worn.

Do not sit or stand on the product.

Never use a pressure hose or washer to clean the product.

Never use scourers, abrasives or chemical cleaners.

Number of people required to assemble

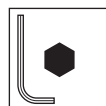
Two person to assemble and lift the table into position.

Time to assemble



15 minutes

Tools included

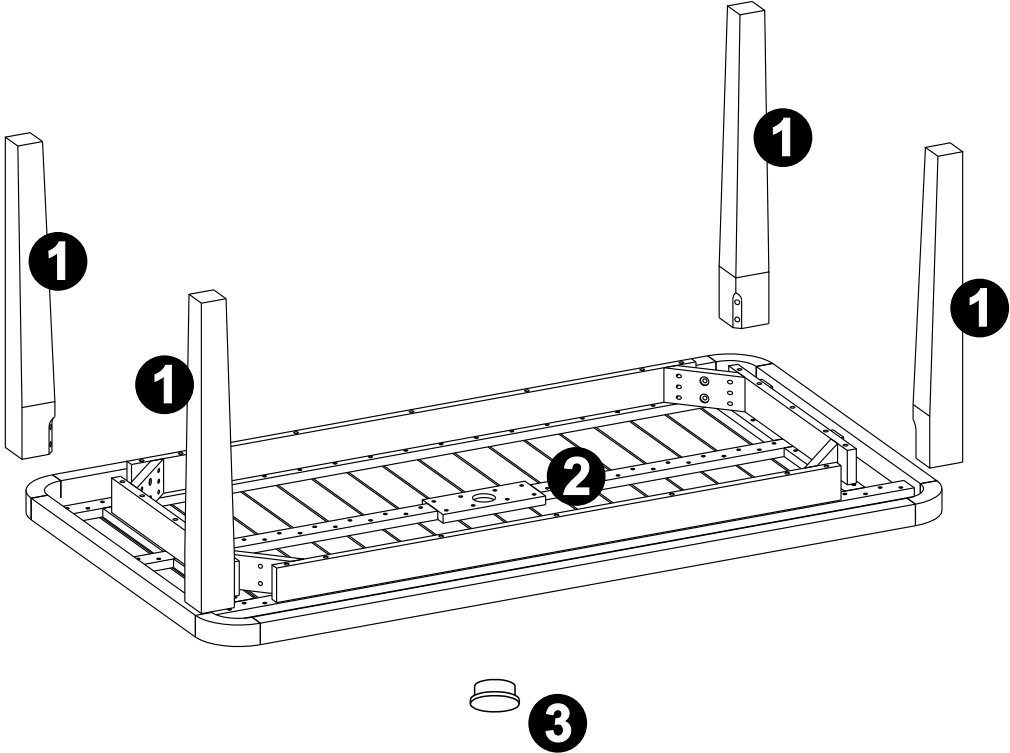


4 Hex key
supplied

FSC 1 BROADWAY 180 X 100 EUCALYPTUS TABLE

Instruction Manual

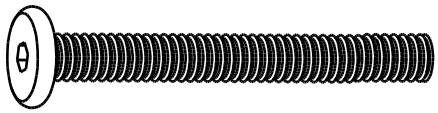
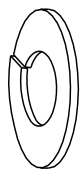
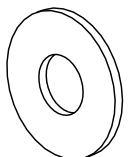
Getting to know your product



FSC 1 BROADWAY 180 X 100 EUCALYPTUS TABLE

Instruction Manual

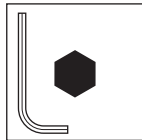
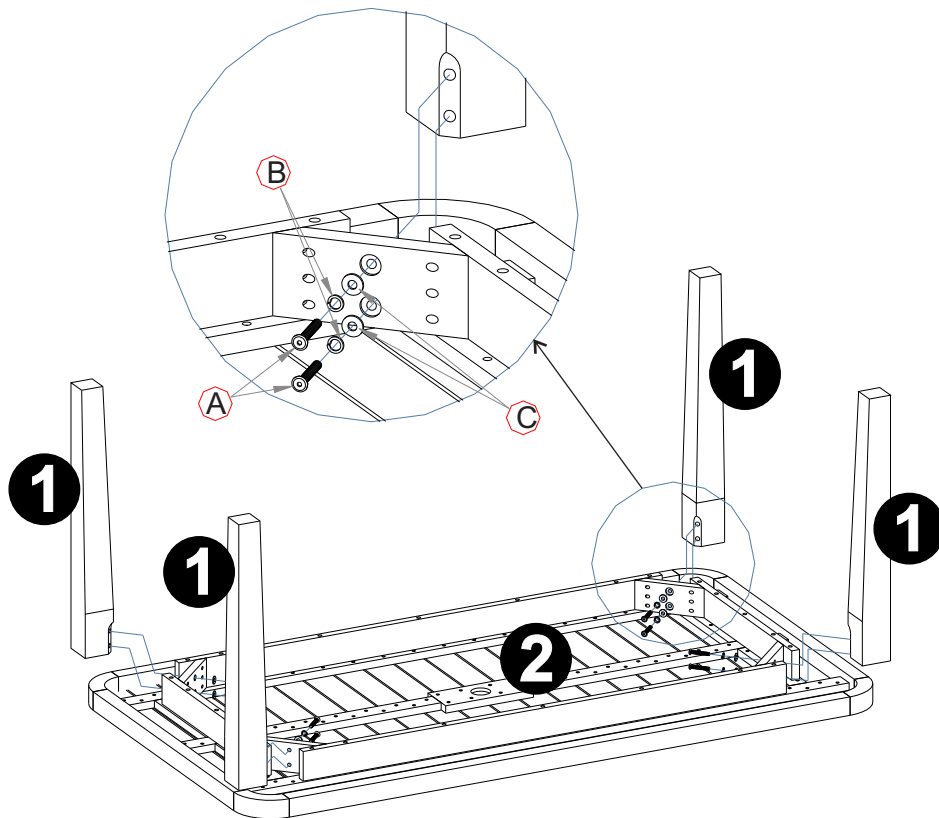


Fixtures and fittings supplied (actual size)			
Ref	Dimensions (mm)	Visual	Qty
A	M8 x 55		8
B	M8.5/14 x 2		8
C	M8.5/20 x 2		8

FSC 1 BROADWAY 180 X 100 EUCALYPTUS TABLE

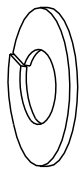
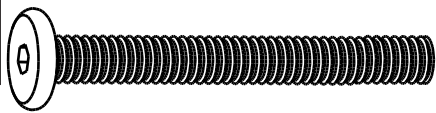
Assembly Instruction

1

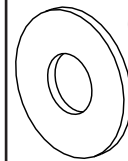


supplied

A M8 x 55 x 8



B M8.5/14 x 2 x 8



C M8.5/20 x 2 x 8

2

