

HIDDEN GRANITE COUNTERTOP FLAT BRACKET

Installation Instructions

IRONSUPPORTS.COM
HAND-CRAFTED  AMERICAN MADE

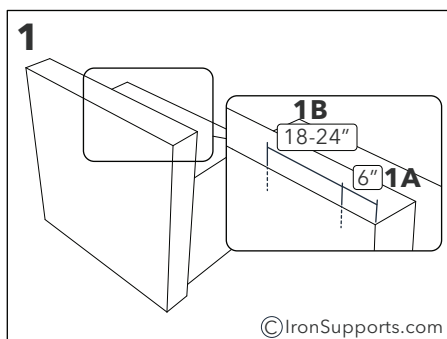
www.IronSupports.com
hello@ironsupports.com
(888) 971-3771
Sheboygan, WI. 53083



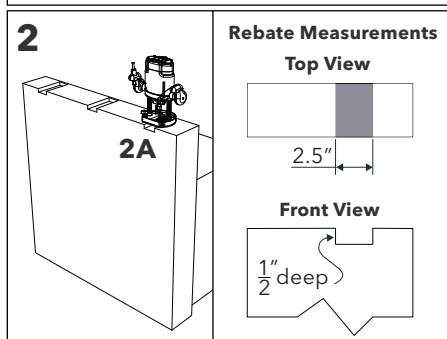
Safety Information

- Use the correct tools.
- Wear protective eye wear & proper safety equipment.
- When using tools or modifying anything follow manufactures instructions & user manuals.
- Always use common sense & follow good construction practices.
- Ask a professional when installing brackets for load bearing applications.
- Always mount brackets to a structure that is able to support the brackets and the weight that may be applied to it.
- Any use of this product in a way other than what it is intended for is not recommended.

Steps



1. Measure and mark the appropriate mounting locations on the cap of your knee wall.
 - 1A. Start at 6" inches in from the edges
 - 1B. Space remaining brackets 18" - 24" apart.



2. Create mounting channel for bracket using one of the following:
 - 2A. **POWER TOOLS:** Use a Top Bearing Flush Trim router with a 1/2" deep cutting length and trim the excess wood out of the mounting surface.
 - 2B. **MANUAL TOOLS:** Use a hand saw and cut along each line to a depth of 1/2". Then using a wood chisel (1" is a good choice) remove the excess wood between the lines you just created.

Be sure to remove all the material in the mounting channel so you have a clean, level channel for the bracket to be seated in.



HIDDEN GRANITE COUNTERTOP FLAT BRACKET

Installation Instructions

IRON SUPPORTS.COM
HAND-CRAFTED  AMERICAN MADE

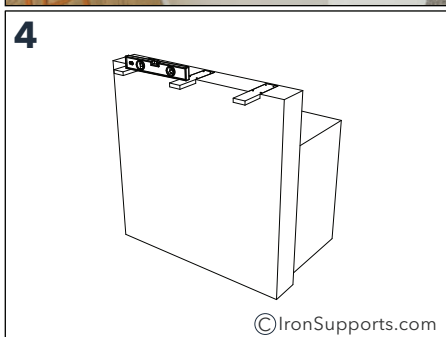
www.IronSupports.com
hello@ironsupports.com
(888) 971-3771
Sheboygan, WI. 53083

Steps



- 3.** Place the bracket into the mounting channel and affix the bracket to the cap using ALL of the included #12 wood screws.

PRO TIP: Pre-drill holes using a 9/64" bit. This will help ensure the wood doesn't split.



- 4.** Use a level to ensure the brackets are level with the cabinetry. If necessary, use shims to make the bracket level.

- 5.** Prior to setting the top in place, run a bead of high-quality silicone adhesive down the center of each bracket.

Link to Hidden Granite Countertop Flat Bracket product page:

<https://ironsupports.com/collections/hidden-countertop-brackets/products/hidden-granite-countertop-flat-bracket>

