

MicroVapor Devices

POCKET NEB

MODEL: MVD-70

Vibrating Mesh Nebulizer

INSTRUCTION MANUAL

READ CAREFULLY BEFORE USE

MODEL MVD-70, POCKET NEB

The POCKET NEB handheld vibrating mesh nebulizer is designed for delivery of prescribed medications in aerosol form. The POCKET NEB's compact design allows the unit to be carried with you at all times for aerosol medication delivery. The POCKET NEB utilizes a state of the art vibrating mesh vapor disk incorporated into the medication cup, that when activated creates an aerosol of prescribed medication.

MODEL MVD-70, POCKET NEB

INDICATIONS FOR USE:

The Model, MVD-70 POCKET NEB electronic vibrating mesh nebulizer is designed to nebulize liquid medications for inhalation by a patient. The POCKET NEB may be used in adults or children 2 years of age and older. THE POCKET NEB is a portable unit for use in and out of the home environment.

The POCKET NEB is not intended as a life sustaining or life-supporting device.

The POCKET NEB is not intended for use with Pentamidine.

CAUTION:

Federal Law Restricts This device to sale By Or On the Order of A Physician.

Rx Only

Classification and Markings: Symbols that appear on the POCKET NEB are described in the table below.

	Indicates a potentially hazardous situation which, if not avoided, could result in death or serious injury.		
	Indicates a potentially hazardous situation which, if not avoided, may result in minor or moderate injury to the user or patient or damage to the equipment or other property.		
	Type BF equipment per IEC 60601-1. This applies to the POCKET NEB only.		
	Manufacturer		Model number
	Input		Keep dry
	DC power		Transit storage temperature -25°C (-13°F) and 70°C (158°F)
	On/OFF		Follow instructions for proper use
	Serial number		Do not discard in trash

WARNING:



- Read all the information in the instruction book and any other literature included in the box before using the POCKET NEB.
- For type, dose, and regimen of medication follow the instructions of your physician and/or licensed healthcare practitioner. Use only those medications prescribed by your physician or healthcare provider.
- Pentamidine is not an approved medication for use with the POCKET NEB.
- Keep the POCKET NEB out of the reach of unsupervised infants and children.
- This device contains small parts. Never place any part other than mouth piece in mouth. This could cause choking. Only place mouthpiece in mouth when attached to the medication cup and POCKET NEB is ready to use. Never place mouthpiece in mouth when not using the POCKET NEB.
- Provide close supervision when this POCKET NEB is used by, on, or near infants, children or persons who have visual or physical disabilities.
- Never attempt to operate the POCKET NEB while driving or operating machinery. Use POCKET NEB in a stationary position.

CAUTION:



- Clean POCKET NEB before the first use. (See cleaning instructions).
- Inspect the control handset and medication cup before using the POCKET NEB.
- To confirm operation make sure that aerosol is coming from the mouthpiece or mask when the unit is turned on. If no aerosol can be seen check unit battery and fluid level. If no aerosol is seen then find alternate method for medication delivery.
- Make sure no parts are damaged, the POCKET NEB is assembled properly, and the POCKET NEB operates normally.

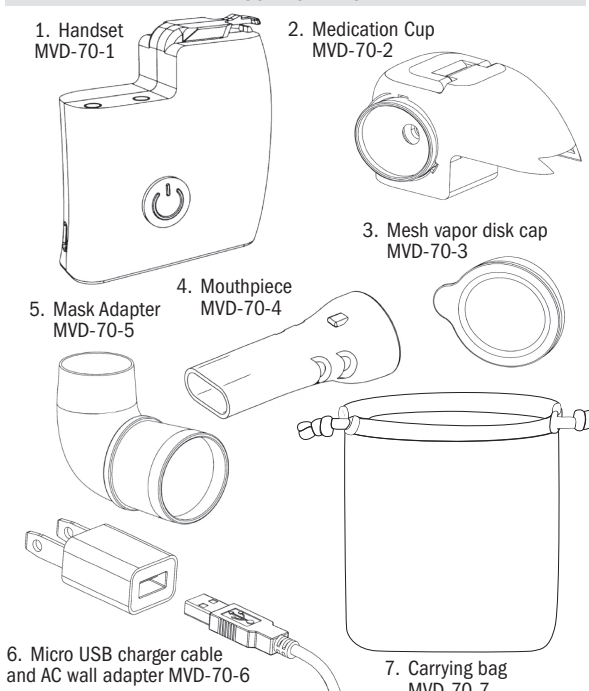
- If the POCKET NEB has not been used for a long period of time, clean before use. (See cleaning instructions).
- Do not use tap or mineral water in the nebulizer for nebulizing or cleaning purposes.
- Clean handset only as directed. (See cleaning instructions).
- Charge battery before first use. If POCKET NEB is not used for two months or more, change battery before use.
- Do not operate POCKET NEB when connected to the AC battery charger.
- Only operate the POCKET NEB when USB battery charger cable is disconnected from the unit and AC adapter is unplugged from the wall outlet.
- Always turn unit off before charging.
- Do not attempt to replace the battery in the POCKET NEB.
- Be sure to charge the battery when the low battery light illuminates. For maximum battery life, charge battery only after the low battery light is illuminated.
- Do not leave the POCKET NEB or its parts where it will be exposed to temperatures or humidity outside operating or storage range, such as leaving the POCKET NEB in a vehicle during hot or cold months, or where it will be exposed to direct sunlight.
- Do not use or store the POCKET NEB in humid locations, such as a bathroom. Use the POCKET NEB within the operating or storage temperatures and humidity. (See specifications for correct temperature ranges).
- Never attempt to clean medication cup with any foreign object, this could damage the medication cup. Handset will not operate with damaged medication cup. Never touch the mesh vapor disk on the medication cup, damage may occur.
- To prevent damage to the POCKET NEB, remove medication cup from handset and add medication slowly. Do not allow the medication to overflow the medication cup.
- Do not add more than 6 mL of medication to the medication cup.
- Close medication cap before using to prevent leaking of medication.
- Close USB connection port when not in use to prevent moisture damage to the unit.
- Do not operate POCKET NEB if your hands or unit is wet.
- To prevent damage to the POCKET NEB, make sure that the medication cup is correctly in place. (See illustrations for proper assembly).
- Do not operate the POCKET NEB at temperatures greater than 40°C (104°F) or less than 5°C (41°F).
- Do not drop the POCKET NEB or any of the components, this could damage unit.
- If POCKET NEB is dropped, smashed or crushed, damage could occur, POCKET NEB may not operate if the handset or medication cup is damaged. Check POCKET NEB for damage to handset or medication cup if dropped, smashed or crushed.
- If POCKET NEB has cracks in the handset or medication cup do not use POCKET NEB. Replace damaged parts before attempting to use the POCKET NEB.
- Do not disassemble or attempt to repair the POCKET NEB or components.
- Operate the POCKET NEB only as intended. Do not use the POCKET NEB for any other purpose.



- Dispose of the POCKET NEB, components and optional accessories according to applicable local regulations. Unlawful disposal may cause environmental pollution.

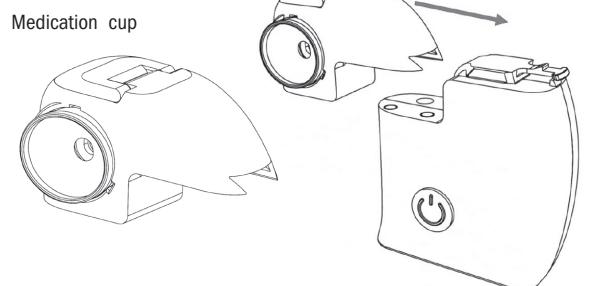
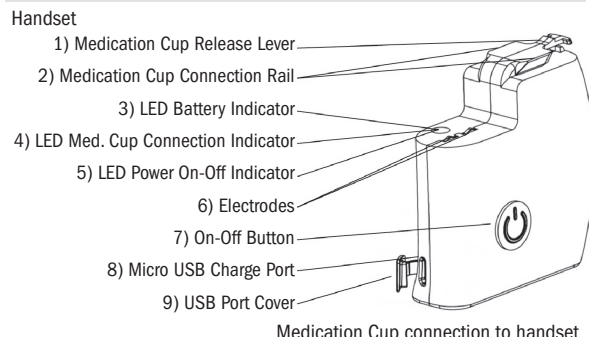
- Use only POCKET NEB authorized parts and accessories. Parts and accessories not approved for use with the POCKET NEB may damage the unit.
- Changes or modifications not approved by MicroVapor Devices will void the user warranty.
- To prevent damage to the POCKET NEB, do not carry or leave the medication cup filled with medication or distilled water. Discard any remaining fluid after each use.
- Always dispose of any remaining medication in the medication cup after each use. Use new medication each time you use the POCKET NEB.
- Do not place or attempt to dry the POCKET NEB or any of its parts using heat (e.g. oven, microwave oven or other heat source).
- To prevent damage to the POCKET NEB, do not rinse or immerse the handset in any liquid, do not wash or rinse any of the parts in tap water and do not touch the mesh vapor disk with your hand or any object. Use only distilled water to clean the POCKET NEB.
- To prevent damage to the POCKET NEB, do not clean the main handset using abrasive cleaner's, alcohol or any type of chemicals.
- Do not leave the distilled water in the medication cup.
- Air-dry the parts immediately after cleaning.
- Store the POCKET NEB and the components in carrying case or a clean, safe location.
- The POCKET NEB is cleared for human use only.
- POCKET NEB is a single patient use device.
- Never operate or store the POCKET NEB outside of the operating and storage temperatures. POCKET NEB may not operate properly if operated or stored outside the specified ranges. See operating and storage temperature ranges in specifications.

COMPONENTS



All MVD-70 components are single patient use.
NOTE: The MVD mask adapter is intended for use with facemasks. Please check that the mask you are using fits the mask adapter. Check with the mask manufacturer if you have questions regarding the mask.

HANDSET ASSEMBLY



BATTERY CHARGING

CAUTION :

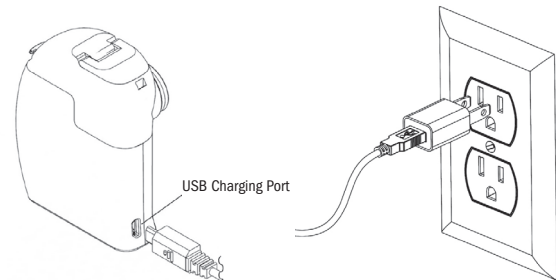


- Charge battery before first use
- Turn POCKET NEB off before charging
- There are no serviceable parts inside the POCKET NEB handset. Do not attempt to open case. This will damage handset and void warranty.
- Use only approved MicroVapor Devices charging cable and wall plug adapter provided with your POCKET NEB when charging battery.
- The POCKET NEB has a red low battery indicator that will illuminate when the battery level is low. During operation, if the red low battery light comes on, the POCKET NEB should be charged before next use.
- If the low battery indicator red light illuminates for five (5) seconds and then goes off, the battery is completely depleted and must be charged before it can be used again. NOTE: The unit will not operate if the battery is completely depleted.

- Charge battery only when red low battery light illuminates to assure maximum battery life and proper operation of your POCKET NEB.
- Always charge the handset in a dry area.
- Charge battery according to instructions to assure maximum battery life.
- The POCKET NEB operates using a rechargeable lithium ion battery. Follow charging instructions to assure that your POCKET NEB is in operating condition. The POCKET NEB battery life is 350 charge/discharge cycles. To assure maximum battery life only charge the POCKET NEB when low battery indicator light comes on.
- Do not use POCKET NEB when charging the battery.

CHARGING BATTERY:

1. Turn POCKET NEB off. Plug wall AC adapter into wall power outlet. Plug Micro USB charger cable into the handset as shown in the illustration.



2. Red low battery indicator light will blink to show battery is charging.
3. Green LED will blink slowly when battery is fully charged. NOTE: Charging time will vary depending on condition of battery. Using the supplied AC adapter a full charge will take 4 to 6 hours if battery is completely discharged.
4. Remove USB charger cable before operating your POCKET NEB.
5. Place USB charger cable and plug in the carrying bag and store in a dry area.

NOTE: DO NOT USE POCKET NEB WHEN CONNECTED TO CHARGER

OPERATING THE POCKET NEB:

FOLLOW INSTRUCTIONS WHEN ASSEMBLING THE POCKET NEB

WARNING:



- Read instruction manual before operation.



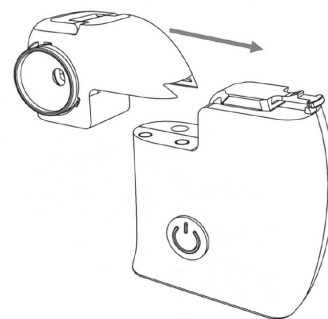
CAUTION:



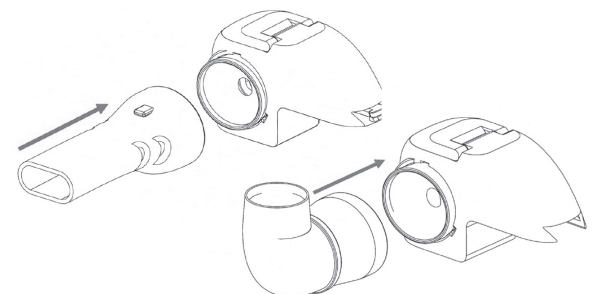
- Clean medication cup and mesh vapor disk before using the POCKET NEB for the first time after purchase. (See cleaning instructions).
- If the POCKET NEB has not been used for a long period of time, clean medication cup and mesh vapor disk before using (see cleaning instructions).

Components will fit tightly since they are made to prevent the medication from leaking.

1. Hold the POCKET NEB securely.
2. Make sure all parts are assembled securely for proper operation of POCKET NEB.
3. Attach the medication cup to the handset by sliding the medication cup onto the top of the handset.



4. Attach the mouthpiece or mask adapter to the medication cup. Mouthpiece/mask adapter connects to mesh vapor disk by pushing mouthpiece/mask adapter on to the mesh vapor disk. Mouthpiece and mask adapter should fit tightly to the medication cup. If using a mask be sure to place mask on the mask adapter before use.



5. POCKET NEB is now ready to operate

USING THE POCKET NEB

WARNING:



- Provide close supervision when this POCKET NEB is used by, on, or near infants, children, and visually or physically compromised individuals.
- Never attempt to operate the POCKET NEB while driving or operating machinery. Only operate the POCKET NEB in a stationary position.
- For type, dose, and regimen of medication follow the instructions of your physician or healthcare provider.
- Pentamidine is not an approved medication for use with this POCKET NEB.

CAUTION:



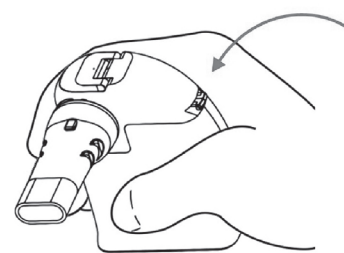
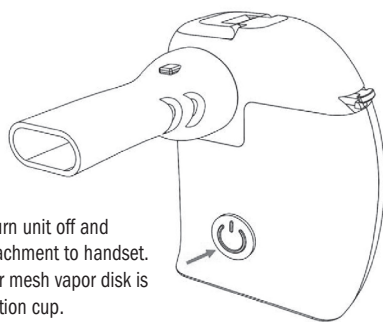
- Inspect the control handset and the POCKET NEB parts before using the POCKET NEB.
- Make sure no parts are damaged, the POCKET NEB is assembled properly and the POCKET NEB is operated according to the instructions.
- Do not operate the POCKET NEB at temperatures greater than 104°F (40°C).
- Clean Pocket Neb at the end of each day's use.
- Always dispose of any remaining medication in the medication cup after each use.
- Use new medication each time you use the POCKET NEB.
- Do not use tap or mineral water in the nebulizer for nebulizing or cleaning purposes.
- This POCKET NEB is cleared for human use only.

POCKET NEB OPERATION

1. Remove medication cup from handset and open the medication cup cap. Insert medication as prescribed by physician and close medication cap. NOTE: Medication cup holds a maximum 6 mL of medication.
2. Attach medication cup to handset by sliding the medication cup until it stops. Attach the mouthpiece or mask adapter to medication cup.



Press On/Off button to start nebulization. Green power light will illuminate. NOTE: If On/Off green LED and low battery red LED are blinking, the medication cup is not attached securely to the handset. Turn unit off and check medication cup attachment to handset. NOTE: If medication cup or mesh vapor disk is damaged, replace medication cup.



4. Place your lips lightly around the mouthpiece. If using a mask, position the mask lightly against the face.

5. Start inhalation. Take treatment as directed by your physician or healthcare provider.

6. To turn off the POCKET NEB manually press the ON/OFF button. Green power light will turn off. NOTE: POCKET NEB will turn off automatically after 20 minutes of operation. If additional treatment is necessary, press the On/Off button to continue operation.

CLEANING THE POCKET NEB

Follow the cleaning instructions at the end of each day of use to prevent any remaining medication in the medication cup from drying or adhering to the mesh vapor disk. Failure to follow these instructions will result in a clogged mesh vapor disk and ineffective nebulization from the POCKET NEB.

Clean the entire medication cup, mesh vapor disk, mask, mouthpiece or mask adapter after each day of use. Failure to clean medication cup and mesh vapor disk may cause the POCKET NEB not to operate properly.

Medication cup must be changed after 45 days of use. Failure to change medication cup could cause POCKET NEB not to operate properly.

CAUTION:

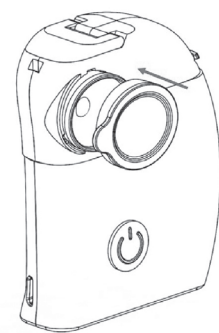
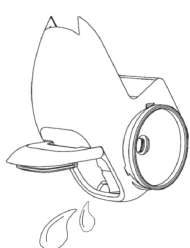
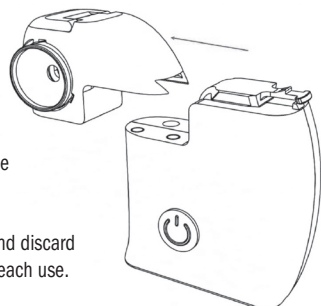


To prevent damage to the POCKET NEB:

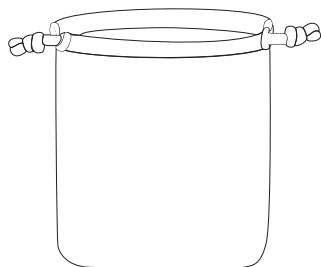
- Do not rinse or immerse the handset in any liquid.
- Do not use tap or mineral water to wash or rinse any of the parts.
- Use only distilled water for all cleaning procedures.
- Do not touch the mesh vapor disk with your hand or any other object.

CLEANING

- Always remove the medication cup from the handset before cleaning.
- Always remove mouthpiece or mask and mask adapter from the medication cup before cleaning.
- Open the medication cup cap and discard any remaining medication after each use.



9. Store POCKET NEB in carrying bag.



- Fill medication cup with distilled water and close medication cup cap.
- Replace medication cup onto handset and press On/Off button to operate POCKET NEB for 15 seconds. Press On/Off to stop cleaning.
- Remove medication cup from handset. Open the medication cup cap and discard any remaining distilled water.
- To clean handset, wipe handset with cloth dampened with distilled water. NOTE: Never place handset under running water. Never clean handset with alcohol, abrasive or any chemical cleaners.
- Air dry medication cup and replace on handset. NOTE: The POCKET NEB comes with a mesh vapor disk cap to protect the mesh vapor disk when not in use. Place mesh vapor disk cap over the nozzle opening for the mesh vapor disk when POCKET NEB is not in use.

Manufactured by MicroVapor Devices

MicroVapor Devices LLC.
151 Powell Road
Suite BA 112
Columbia, SC 29203

Made in USA

SPECIFICATIONS: Model # MVD-70

Power Supply	Rechargeable Lithium ion battery		
Power Consumption	5 V		
Nebulization rate	0.25 mL/min minimum		
Particle size range	2-6 microns		
Medication cup capacity	6 mL maximum		
Operating Temperature/Humidity/ Atmospheric Pressure	5°C (41°F) to 40°C (104°F), 15% to 93% Relative Humidity, Atmospheric Pressure 700 hPa to 1060 hPa		
Storage Temperature/Humidity	-25°C (-13°F) without Relative Humidity Control to 70°C (158°F), Maximum 93% Relative Humidity		
Operating frequency	115 kHz		
Dimensions	W63mm x D25mm X H76mm		
Weight	10 oz		
Contents	Handset, medication cup, mouthpiece, mask adapter, micro USB charger cable and AC wall adapter, mesh vapor disk cap, carrying bag, instruction manual		

	Pulmicort (0.5 mg/2 mL)	Ipratropium Bromide (0.5 mg/2.5 mL)	Albuterol (2.5 mg/3 mL)
Particle Deposition (%)	%	%	%
>5 microns	44.7	43.6	49.6
<5 microns	55.3	56.4	50.4
<1 microns	1.3	1.6	0.7
±95% CI	3.74	7.38	3.17
MMAD (microns)	4.40 microns	4.12 microns	4.60 microns
Total Mass (µg)	151.27 µg	329.88 µg	2288.13 µg
% RF	55.3	56.4	50.4
GSD	1.72	1.9	1.92

- Testing done with NGI cascade impactor in accordance with FDA guidance document for nebulizers.
- Subject to technical modification without prior notice
- Cascade Impactor Testing at 15 lpm:
- Nebulization rate of 0.25 mL/min
- Please note that specifications may vary with medication type used.

TROUBLESHOOTING GUIDE

Problem	Cause	Solution
Handset will not Operate	No power	Charge battery
	Medication cup is not attached	Check medication cup attachment
	Battery past useful life	Replace handset
No aerosol	No medication in medication cup	Add medication
	Medication cup is not secure	Check medication cup connection
	Medication cup is damaged	Replace medication cup
	Mesh vapor disk is clogged	Clean medication cup
Low nebulization	Mesh vapor disk is damaged	Replace medication cup
	Battery not charged	Charge battery
	No or low medication	Add medication
Handset turns off	Medication cup is clogged	Clean medication cup
	Medication cup or mesh vapor disk is damaged	Replace medication cup if necessary
	Low battery	Charge battery
Medication Cup Leaks	Medication cup not attached	Check medication cup attachment
	Medication cup cap not closed	Replace medication cup cap
Battery will not charge	Medication cup is damaged	Replace medication cup
	Check USB charger cable	Replace USB charger cable
	Battery depleted	Replace handset
Unit is turned on green light is blinking	POCKET NEB is outside highest operating temperature	Allow unit to cool to proper operating temperature
Unit is turned on green light is blinking	AC charger and USB power cable are connected and POCKET NEB is turned on	Disconnect AC charger from wall outlet and USB cable from POCKET NEB

POCKET NEB INDICATOR LIGHTS

Power On	Solid green light
Power Off	No light
Low Battery	Solid red light
Battery depleted	Solid red light for 3 seconds, light goes off
Medication cup not attached	Blinking green /red lights
Battery charger plugged in and charging	Blinking red light
Battery charger plugged in and not charging	No light
Battery charger plugged in and unit turned on	Blinking green light
Battery fully charged	Slow blinking green light

FCC INFORMATION

ELECTROMAGNETIC SUSCEPTIBILITY:

This device meets the requirements of IEC 60601-1 and 60601-1-2, which describes requirements for electromagnetic compatibility (EMC) of medical devices. This includes immunity to radio frequency electric fields and electrostatic discharge, in addition to the other applicable requirements of the standard. Compliance with EMC standards does not mean a device has total immunity; certain devices (cellular phones, pagers, etc.) can interrupt operation if they are used near medical equipment.

EMC TABLE:

GUIDANCE AND MANUFACTURER'S DECLARATION ELECTROMAGNETIC EMISSIONS

The POCKET NEB is intended for use in the electromagnetic environment specified below. The customer or the user of the POCKET NEB should assure that it is used in such an environment.

Emissions Test	Compliance	Electromagnetic Environment Guidance
RF Emissions CISPR 11	Group 1	The POCKET NEB uses RF energy only for its internal function. Therefore, its RF emissions are very low and are not likely to cause an interference in nearby electronic equipment.
RF Emissions CISPR 11	Class B	The POCKET NEB is suitable for use in all establishments including domestic an those directly connected to the public low-voltage power supply network power supply that supplies buildings used for domestic purposes

GUIDANCE AND MANUFACTURER'S DECLARATION ELECTROMAGNETIC IMMUNITY

The POCKET NEB is intended for use in the electromagnetic environment specified below. The customer or the user of the POCKET NEB should assure that it is used in such an environment.

Immunity Test	IEC60601 Test Level	Compliance Level	Electromagnetic Environment Guidance
Electrostatic discharge(ESD) IEC 61000-4-2	+8kV Contact ±2, 4, 8, 15kV Air	Complies	Enclosure Professional healthcare facility environment or HOME HEALTHCARE ENVIRONMENT
Radiated RF IEC 61000-4-3	Professional Healthcare Facility Environment 10V/m, 80 – 2700MHz, 1kHz 80%AM modulation (Home Healthcare Environment Spot Frequencies Modulation frequencies and dwell times defined by "Risk Assessment" and "test plan"	Complies	Enclosure Professional healthcare facility environment or HOME HEALTHCARE ENVIRONMENT
Electrical Fast Transient IEC 61000-4-4	2kV on AC and DC 100KHz Repetition 1kV on I/O 100KHz Repetition (patient coupling ports excluded)	Complies	Input AC Power (Charging Only) Professional healthcare facility environment or HOME HEALTHCARE ENVIRONMENT
Surge Withstand IEC 61000-4-5	500V, 1kV & 2kV common mode, 500V & 1kV differential on AC & DC lines (>3m) 2kV common mode on I/O lines (Outdoor cables)	Complies	Input AC Power (Charging Only) Professional healthcare facility environment or HOME HEALTHCARE ENVIRONMENT
Conducted RF Immunity IEC 61000-4-6	3Vrms, 0.15 – 80 MHz, 1kHz 80% AM modulation 3V at 0.15 – 80MHz & 6V at ISM Frequencies, Home Healthcare: 3V at 0.15 – 80MHz and 6V at ISM & Radio Amateur Frequencies	Complies	Input AC Power (Charging Only) Professional healthcare facility environment or HOME HEALTHCARE ENVIRONMENT
Power frequency magnetic field IEC 61000-4-8	30 A/m	Complies	Professional healthcare facility environment or HOME HEALTHCARE ENVIRONMENT

Environments for which the unit is suitable statement.

"Class B equipment is equipment suitable for use in all establishments including domestic establishments and those directly connected to the public low-voltage power supply network that supplies buildings used for domestic purpose. The unit should not be used in areas where it can be exposed to known sources of Electromagnetic Interference (EMI) from medical devices such as Magnetic Resonance Imaging (MRI), computerized axial tomography (CT), diathermy, Radio Frequency Identification (RFID), and electromagnetic security systems such as metal detectors.

Anti-theft systems and Radio Frequency Identification (RFID) readers are used in a wide variety of settings, including supermarkets, shopping malls, libraries and hospitals. Metal detectors for airport and facility security applications can either be portals that a person walks through, or can be hand-held "wands" that are passed over a person's body.

- Be aware that anti-theft systems and RFID readers in many commercial establishments can be hidden or camouflaged in entrances and exits where they are not readily visible.
- Do not stay near the anti-theft system, RFID reader or metal detector longer than is necessary and do not lean against them.
- If you are scanned with a hand held metal detector, advise the security personnel that you have an electronic medical device and ask them not to hold the metal detector near the device any longer than is absolutely necessary; or request an alternate form of personal search."

Recommend separation distances between portable and mobile RF communication equipment and the device

The device is intended for use in electromagnetic environments in which radiated RF disturbances are controlled. The customer or the user of the device can help prevent electromagnetic interference by maintaining a minimum distance between port and mobile RF communications equipment (transmitters) and the device, as recommended below, according to the output power of the communications equipment.

Rated maximum output power of transmitter W	Separation distance according to frequency of transmitter m		
	150 kHz to 80 MHz d = (1.17) √P	80 MHz to 800 MHz d = (1.17) √P	800 MHz to 2.5 GHz d = (2.33) √P
0.01	0.12	0.12	0.23
0.1	0.37	0.37	0.78
1	1.17	1.17	2.33
10	3.70	3.70	7.36
100	11.70	11.70	23.30

NOTE 1: At 80 MHz and 800 MHz, the separation distance for the higher frequency range applies.

NOTE 2: These guidelines may not apply in all situations. Electromagnetic propagation is affected by absorption and reflection from structures, objects and people.

- Field strengths from fixed transmitters, such as base stations for radio (cellular/cordless) telephones and land mobile radios, amateur radios, AM and FM radio broadcasts and TV broadcast cannot be predicted theoretically with accuracy. To assess the electromagnetic environment due to fixed RF transmitter, an electromagnetic site survey should be considered. If the measured field strength in the location in which the device is used exceeds the applicable RF compliance level above the device should be observed to verify normal operation. If abnormal performance is observed, additional measures may be necessary, such as re-orientating or relocating the device.
- Over the frequency range 150 kHz to 80 MHz, field strength should be less than (3)Vm

WARRANTY INFORMATION - LIMITED WARRANTIES

Your POCKET NEB, excluding medication cup and accessories, is warranted to be free from defects in materials and workmanship appearing within 1 year from date of purchase, when used in accordance with the instructions provided with your POCKET NEB. The above warranty extends only to the original purchaser. MicroVapor Devices will, at our option, repair or replace without charge your POCKET NEB nebulizer. Repair or replacement is our only responsibility and your only remedy under the above warranties. To obtain warranty service, contact MicroVapor Devices Customer Service by calling 1-844-563-8518 for the address of the repair location and the return shipping and handling fee. Information for warranty service is available on our website at www.pocketneb.com

Enclose the Proof of Purchase. Include a letter, with your name, address, phone number, and description of the specific problem. Pack the product carefully to prevent damage in transit. Because of possible loss in transit, we recommend insuring the product with return receipt requested.

ALL IMPLIED WARRANTIES, INCLUDING BUT NOT LIMITED TO THE IMPLIED WARRANTIES OF MERCHANTABILITY AND FITNESS FOR PARTICULAR PURPOSE, ARE LIMITED TO THE DURATION OF THE APPLICABLE WRITTEN WARRANTY ABOVE.

Some states do not allow limitations on how long an implied warranty lasts, so the above limitation may not apply to you. MicroVapor Devices SHALL NOT BE LIABLE FOR LOSS OF USE OR ANY OTHER INCIDENTAL, CONSEQUENTIAL OR INDIRECT COSTS, EXPENSES OR DAMAGES. Some states do not allow the exclusion or limitation of incidental or consequential damages, so the above exclusions may not apply to you. This warranty gives you specific legal rights, and you may also have other rights, which may vary from state to state.