

# PRODUCT INFORMATION PACKET

Model No: 048A17T87  
Catalog No: X467  
1/4, 1625, TENV, 48Y, 1/60/208-230  
Condenser Fans



Regal and Marathon are trademarks of Regal Beloit Corporation or one of its affiliated companies.  
©2018 Regal Beloit Corporation, All Rights Reserved. MC017097E

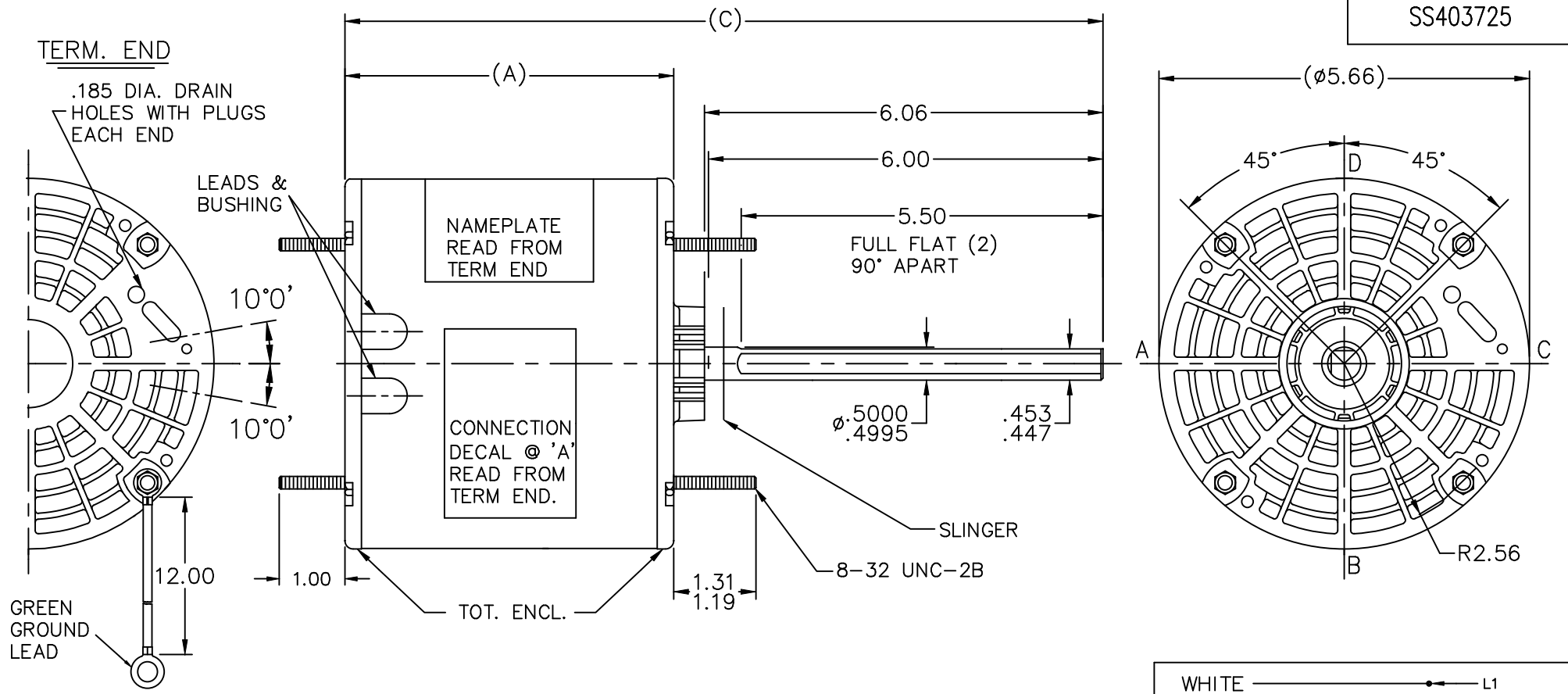
**Nameplate Specifications**

Output HP	<b>0.25 Hp</b>	Output KW	<b>0.19 kW</b>
Frequency	<b>60 Hz</b>	Voltage	<b>208-230 V</b>
Current	<b>2.0 A</b>	Speed	<b>1625 rpm</b>
Service Factor	<b>1</b>	Phase	<b>1</b>
Efficiency	<b>66 %</b>	Duty	<b>Continuous</b>
Insulation Class	<b>B</b>	Design Code	<b>NO DESIGN CODE</b>
KVA Code	<b>F</b>	Frame	<b>48Y</b>
Enclosure	<b>Totally Enclosed Air Over</b>	Overload Protector	<b>Automatic Lock Rotor Only</b>
Ambient Temperature	<b>40 °C</b>	Drive End Bearing Size	<b>6203</b>
Opp Drive End Bearing Size	<b>6203</b>	UL	<b>Recognized</b>
CSA	<b>Y</b>	CE	<b>N</b>
IP Code	<b>43</b>		

**Technical Specifications**

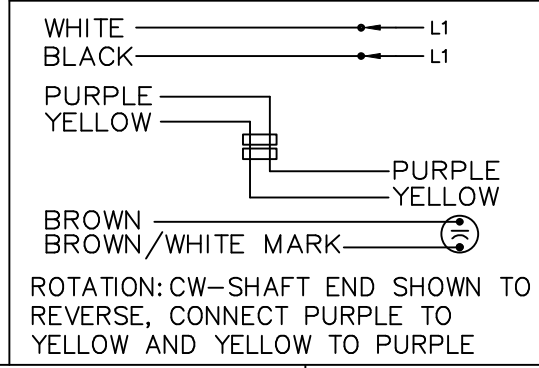
Electrical Type	<b>Permanent Split Capacitor</b>	Starting Method	<b>Across The Line</b>
Poles	<b>4</b>	Rotation	<b>Selective Counterclockwise</b>
Mounting	<b>Round - Extended Studs</b>	Motor Orientation	<b>Horizontal</b>
Drive End Bearing	<b>Ball</b>	Opp Drive End Bearing	<b>Ball</b>
Frame Material	<b>Rolled Steel</b>	Shaft Type	<b>Single Special Extension</b>
Overall Length	<b>11.00 in</b>	Frame Length	<b>4.00 in</b>
Shaft Diameter	<b>0.500 in</b>	Shaft Extension	<b>6.06 in</b>
Assembly/Box Mounting	<b>F1 Only</b>		
Outline Drawing	<b>A-SS403725-400</b>	Connection Diagram	<b>6906496</b>

**This is an uncontrolled document once printed or downloaded and is subject to change without notice. Date Created: 10/08/2018**



DASH	FRAME	C	A
400	48Y	11.00	4.50
450	48Y	11.50	5.00
475	48Y	11.75	5.25
500	48Y	12.00	5.50
550	48Y	12.50	6.00

LEAD DESCRIPTION:  
 1BLACK, AND 1 WHITE LEAD WITH .50 BARE WIRE STRIP 30.00" LONG.  
 2 BROWN CAPACITOR LEADS WITH .25 FLAG-TYPE QUICK CONNECTS 30.00" LONG BROWN WITH WHITE MARK IS COMMON TO WHITE LEAD.  
 REVERSING LEADS ARE MOLDED INTO MATING PULL APART PLUGS 1 PURPLE, AND 1 YELLOW PER PLUG 5.00" LONG.  
 GREEN GROUND LEAD 12.0" LONG



NO.		REVISION	BY & DATE	CHK	ANG	FINISH	MARATHON ELECTRIC		DRAWN GRB 05-27-2008
				TOLERANCES UNLESS SPECIFIED				CHK SP 05-27-2008	
				DEC.	INCHES	TITLE OUTLINE 48 FR.		APPD NB 05-27-2008	
				.X	±.1			SCALE 7=16	
				.XX	±.03			REF SS403705	
				.XXX	±.005			FMF 08-0421	
				.XXXX	±.0005			PREV	
				ANG	±7'30"				
				RFP	05-27-2008	CAD FILE ss403725		SIZE A	
				DIST	WP			DRAWING NO. SS403725	
								PAGE OF	
								REV.	

THIS DRAWING IN DESIGN AND DETAIL IS OUR PROPERTY AND MUST NOT BE USED EXCEPT IN CONNECTION WITH OUR WORK ALL RIGHTS OF DESIGN AND INVENTION ARE RESERVED THIS IS AN ELECTRONICALLY GENERATED DOCUMENT - DO NOT SCALE THIS PRINT

```
ERROR: undefined  
OFFENDING COMMAND: loa
```

```
STACK:
```

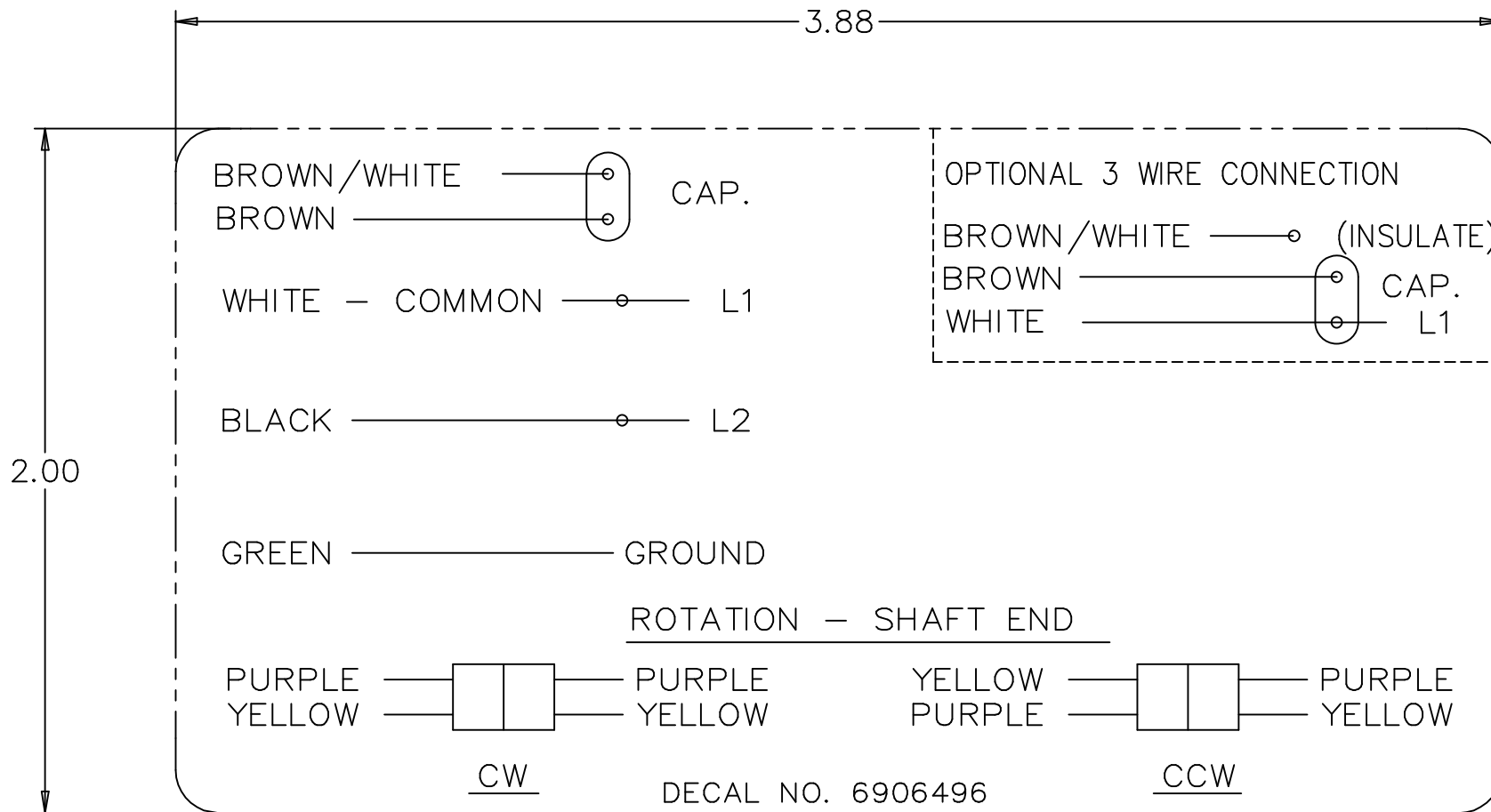
```
/newpath
```

```
/N
```

```
-dictionary-
```

```
/pscript_WinNT_Compact
```

```
-dictionary-
```



NO.	REVISION	BY & DATE	CHK	TOLERANCES UNLESS SPECIFIED		FINISH	DRAWN MRB 04-16-1998		
				DEC.	INCHES				
4	ADDED DIM. TO DECAL	RDH 09/22/2003	ML	.X	±.1	REGAL-BELOIT <i>Motor Technologies</i>	CHK ML 04-22-1998		
3	REMOVED 'MARATHON ELECTRIC' CN 35106	DRS 05-01-2002	TOM	.XX	±.02		TITLE CONNECTION DECAL	APPD GK 04-22-1998	
2	PART NAME WAS CONNECTION DIAGRAM CN 25669	MRB 04-23-1998		.XXX	±.005			SCALE 1=1	
1	NEW DRAWING CN 25669	MRB 04-22-1998		.XXXX	±.0005		MAT'L.	REF	
				ANG	±7'30"		FMF		
				RFP		CAD FILE 6906496	PREV		
THIS DRAWING IN DESIGN AND DETAIL IS OUR PROPERTY AND MUST NOT BE USED EXCEPT IN CONNECTION WITH OUR WORK ALL RIGHTS OF DESIGN AND INVENTION ARE RESERVED THIS IS AN ELECTRONICALLY GENERATED DOCUMENT - DO NOT SCALE THIS PRINT				DIST	WP	SIZE A	DRAWING NO. 6906496	PAGE OF 4	REV. 4

CERTIFICATION DATA SHEET

Model#: 48A17T87 E WINDING#: PE484209 NONE 2  
 CONN. DIAGRAM: 6906496 ASSEMBLY: F1 ONLY  
 OUTLINE: A-SS403725-400

TYPICAL MOTOR PERFORMANCE DATA

HP	KW	SYNC. RPM	F.L. RPM	FRAME	ENCLOSURE	KVA CODE	DESIGN
1/4	0.19	1800	1625	48Y	TEAO	F	NO DESIGN CODE

PH	Hz	VOLTS	FL AMPS	START TYPE	DUTY	INSL	S.F	AMB°C	ELEVATION
1	60	208-230	2	ACROSS THE LINE	CONTINUOUS	B3	1.0	40	3300

FULL LOAD EFF: 66	3/4 LOAD EFF: 61.2	1/2 LOAD EFF: 52.1	GTD. EFF	ELEC. TYPE	NO LOAD AMPS
FULL LOAD PF: 84.5	3/4 LOAD PF: 79.4	1/2 LOAD PF: 71.1	0	PSC 1 SPEED	1

F.L. TORQUE	LOCKED ROTOR AMPS	L.R. TORQUE	B.D. TORQUE	F.L. RISE°C
12.2 LB-FT	5.3	4.5 LB-FT -	25.8 LB-FT -	0

SOUND PRESSURE @ 3 FT.	SOUND POWER	ROTOR WK^2	MAX. WK^2	SAFE STALL TIME	STARTS /HOUR	APPROX. MOTOR WGT
0 dBA	10 dBA	0 LB-FT^2	0 LB-FT^2	0 SEC.	0	0 LBS.

\*\*\* SUPPLEMENTAL INFORMATION \*\*\*

DE BRACKET TYPE	ODE BRACKET TYPE	MOUNT TYPE	ORIENTATION	SEVERE DUTY	HAZARDOUS LOCATION	DRIP COVER	SCREENS	PAINT
STANDARD	STANDARD	ROUND-EXTENDED STUDS	HORIZONTAL	FALSE	NONE	FALSE	NONE	GRAY (POWDER)

BEARINGS		GREASE	SHAFT TYPE	SPECIAL DE	SPECIAL ODE	SHAFT MATERIAL	FRAME MATERIAL
DE	OPE						
BALL	BALL	BEACON 325	SGL SPL EXT	0.500 x 6.00 IN SEF WITH 5.50 IN FULL FLAT	NONE	1144 STRESSPROOF (C-223)	ROLLED STEEL
6203	6203						

THERMO-PROTECTORS				THERMISTORS	CONTROL	SPACE /n HEATERS
THERMOSTATS	PROTECTORS	WDG RTDs	BRG RTDs			
NONE	AUT LCK RTR ONLY	NONE	NONE	NONE	FALSE	NONE VOLTS

If Inverter equals NONE, contact factory for further information

\*  
N  
O  
T  
E  
S  
\*

INVERTER TORQUE: NONE	INV. HP SPEED RANGE: NONE
ENCODER: NONE	NONE NONE
NONE NONE PPR	
BRAKE: NONE NONE	NONE P/N NONE
NONE NONE	NONE NONE
NONE FT-LB	NONE V NONE Hz

DATE: 06/28/2017 02:20:20 AM  
 FORM 3531 REV.3 02/07/99  
 \*\* Subject to change without notice.

