

PRODUCT INFORMATION PACKET

Model No: 048A11T509
Catalog No: X297
1/3,1075,TEAO,48Y,1/60/208-230
Condenser Fans



Regal and Marathon are trademarks of Regal Beloit Corporation or one of its affiliated companies.
©2018 Regal Beloit Corporation, All Rights Reserved. MC017097E

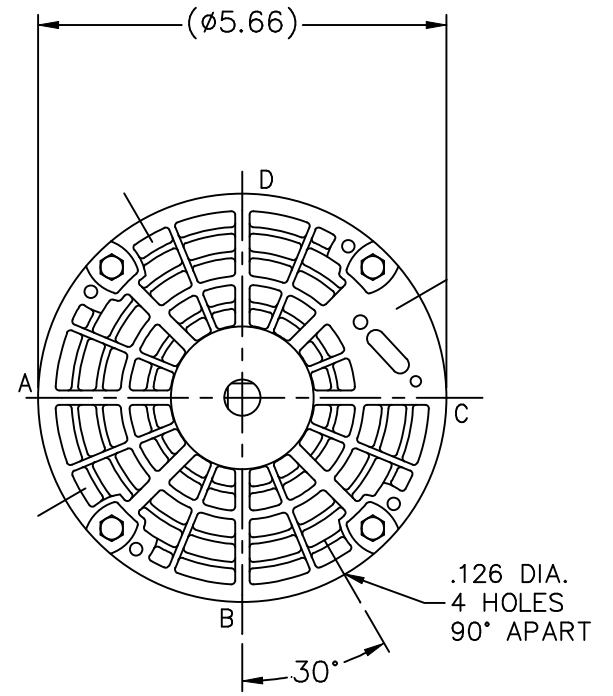
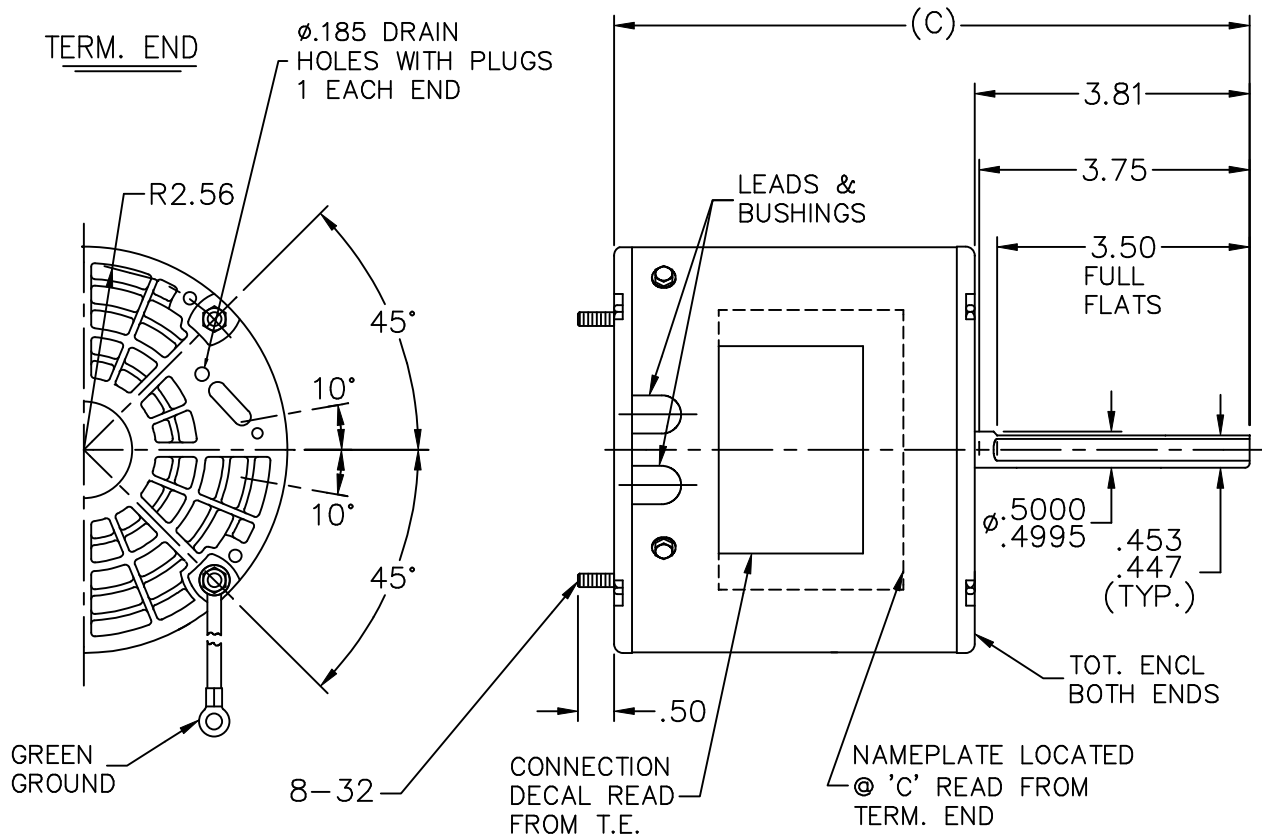
Nameplate Specifications

Output HP	0.33 Hp	Output KW	0.25 kW
Frequency	60 Hz	Voltage	208-230 V
Current	1.9-1.8 A	Speed	1075 rpm
Service Factor	1	Phase	1
Efficiency	66 %	Duty	Continuous
Insulation Class	B	Design Code	NO DESIGN CODE
KVA Code	A	Frame	48Y
Enclosure	Totally Enclosed Air Over	Overload Protector	Automatic Lock Rotor Only
Ambient Temperature	40 °C	Drive End Bearing Size	6203
Opp Drive End Bearing Size	6203	UL	Recognized
CSA	Y	CE	N
IP Code	43		

Technical Specifications

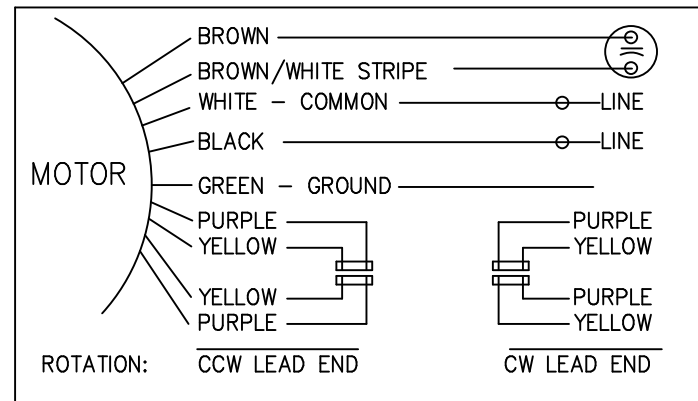
Electrical Type	Permanent Split Capacitor	Starting Method	Across The Line
Poles	6	Rotation	Selective Counterclockwise
Mounting	Round - Extended Studs	Motor Orientation	Horizontal
Drive End Bearing	Ball	Opp Drive End Bearing	Ball
Frame Material	Rolled Steel	Shaft Type	Single Special Extension
Overall Length	8.06 in	Frame Length	3.75 in
Shaft Diameter	0.500 in	Shaft Extension	3.81 in
Assembly/Box Mounting	F1 Only		
Outline Drawing	A-SS403719-375	Connection Diagram	6906496

This is an uncontrolled document once printed or downloaded and is subject to change without notice. Date Created: 10/08/2018



LEAD DESCRIPTION:

- 1 BLACK AND 1 WHITE LEAD WITH .50 BARE WIRE STRIP 30.00" LONG.
- 2 BROWN CAPACITOR LEADS WITH .25" FLAG QUICK CONNECTS 30.00" LONG. BROWN WITH WHITE MARK IS COMMON TO WHITE.
- REVERSING LEADS ARE MOLDED INTO MATING PULL APART PLUGS. 1 PURPLE AND 1 YELLOW PER PLUG 5.00" LONG.
- GREEN LEAD WITH TERM. FOR #10 SCREW 12.00" LONG.



DASH	FRAME	C	
375	48Y	8.06	
400	48Y	8.31	

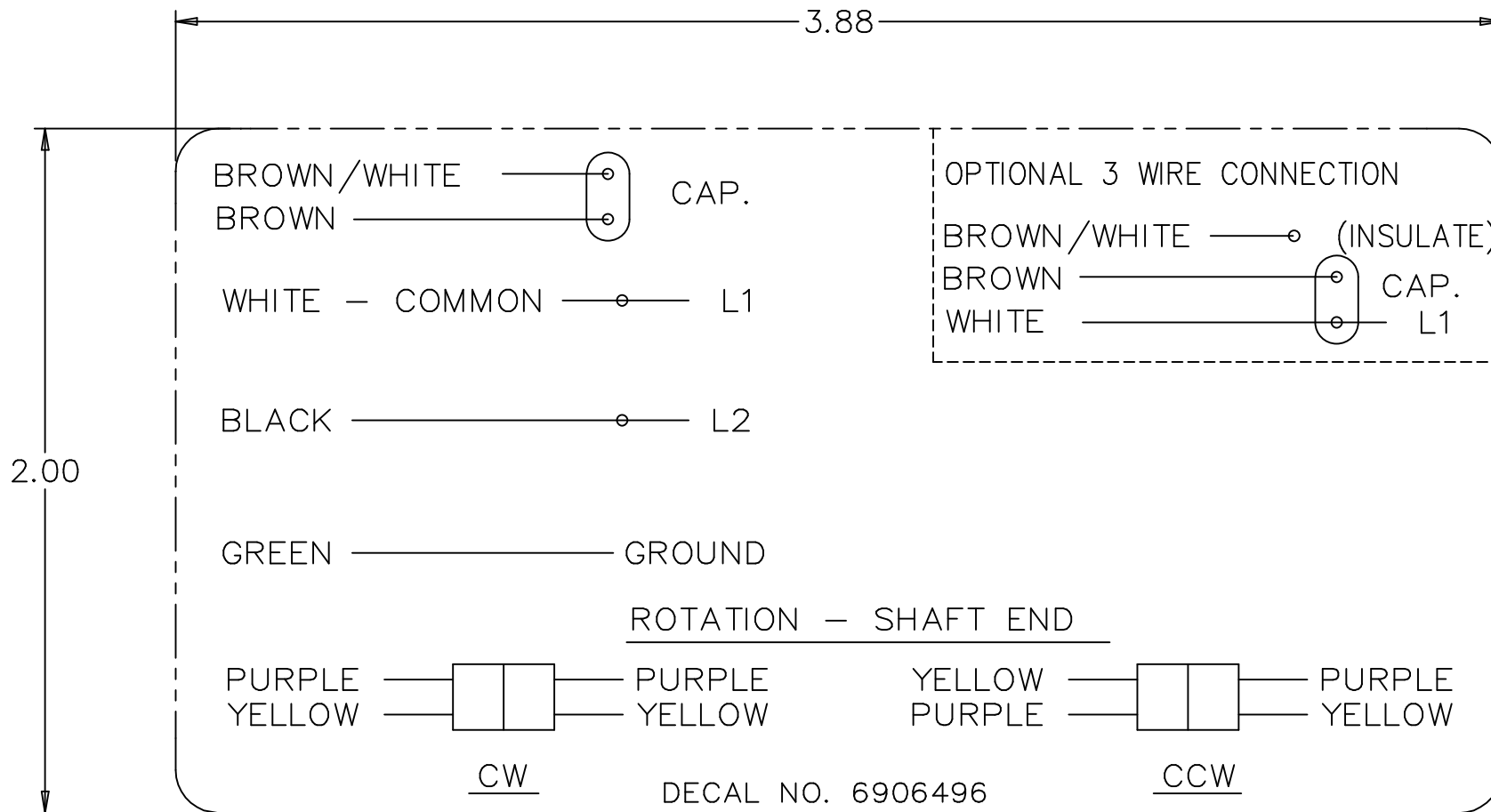
NO.	REVISION	BY & DATE	CHK	TOLERANCES UNLESS SPECIFIED	
				DEC.	INCHES
				.X	±.1
				.XX	±.03
				.XXX	±.005
				.XXXX	±.0005
				ANG	±7'30"




TITLE	OUTLINE
MAT'L.	
FINISH	

DRAWN	GRB 05-16-2008
CHK	SP 05-16-2008
APPD	SP 05-16-2008
SCALE	3=8
REF	SS75537
FMF	
PREV	

THIS DRAWING IN DESIGN AND DETAIL IS OUR PROPERTY AND MUST NOT BE USED EXCEPT IN CONNECTION WITH OUR WORK ALL RIGHTS OF DESIGN AND INVENTION ARE RESERVED THIS IS AN ELECTRONICALLY GENERATED DOCUMENT - DO NOT SCALE THIS PRINT				RFP	CAD FILE	ss403719	SIZE	DRAWING NO.	PAGE	OF	REV.
				DIST	WP		A	SS403719			



NO.	REVISION	BY & DATE	CHK	TOLERANCES UNLESS SPECIFIED		FINISH	DRAWING NO.	PAGE	OF	REV.	
				DEC.	INCHES						
4	ADDED DIM. TO DECAL	RDH 09/22/2003	ML	.X	±.1		REGAL-BELOIT 	DRAWN MRB 04-16-1998			
3	REMOVED 'MARATHON ELECTRIC' CN 35106	DRS 05-01-2002	TOM	.XX	±.02			CHK ML 04-22-1998			
2	PART NAME WAS CONNECTION DIAGRAM CN 25669	MRB 04-23-1998		.XXX	±.005			APPD GK 04-22-1998			
1	NEW DRAWING CN 25669	MRB 04-22-1998		.XXXX	±.0005	MAT'L.		SCALE 1=1			
							REF				
							FMF				
							PREV				
THIS DRAWING IN DESIGN AND DETAIL IS OUR PROPERTY AND MUST NOT BE USED EXCEPT IN CONNECTION WITH OUR WORK ALL RIGHTS OF DESIGN AND INVENTION ARE RESERVED THIS IS AN ELECTRONICALLY GENERATED DOCUMENT - DO NOT SCALE THIS PRINT				RFP	CAD FILE 6906496			SIZE	DRAWING NO. 6906496		4
				DIST	WP		A				

CERTIFICATION DATA SHEET

Model#: 48A11T509 C WINDING#: PE4861688 NONE 2
 CONN. DIAGRAM: 6906496 ASSEMBLY: F1 ONLY
 OUTLINE: A-SS403719-375

TYPICAL MOTOR PERFORMANCE DATA

HP	KW	SYNC. RPM	F.L. RPM	FRAME	ENCLOSURE	KVA CODE	DESIGN		
1/3	0.25	1200	1075	48Y	TEAO	A	NO DESIGN CODE		
PH	Hz	VOLTS	FL AMPS	START TYPE	DUTY	INSL	S.F	AMB°C	ELEVATION
1	60	208-230	1.8	ACROSS THE LINE	CONTINUOUS	B3	1.0	40	3300
FULL LOAD EFF: 66.0		3/4 LOAD EFF: -	1/2 LOAD EFF: -	GTD. EFF		ELEC. TYPE		NO LOAD AMPS	
-		-	-	-		PSC 1 SPEED		.6	
F.L. TORQUE		LOCKED ROTOR AMPS		L.R. TORQUE		B.D. TORQUE		F.L. RISE°C	
26.3 LB-FT		3.5		7.52 LB-FT -		29.6 LB-FT -		-	
SOUND PRESSURE @ 3 FT.	SOUND POWER	ROTOR WK^2	MAX. WK^2	SAFE STALL TIME	STARTS /HOUR	APPROX. MOTOR WGT			
- dBA	- dBA	- LB-FT^2	- LB-FT^2	- SEC.	-	- LBS.			

*** SUPPLEMENTAL INFORMATION ***

DE BRACKET TYPE	ODE BRACKET TYPE	MOUNT TYPE	ORIENTATION	SEVERE DUTY	HAZARDOUS LOCATION	DRIP COVER	SCREENS	PAIN
STANDARD	STANDARD	ROUND-EXTENDED STUDS	HORIZONTAL	FALSE	NONE	FALSE	NONE	GRAY (POWDER)

BEARINGS		GREASE	SHAFT TYPE	SPECIAL DE	SPECIAL ODE	SHAFT MATERIAL	FRAME MATERIAL
DE	OPE						
BALL	BALL						
6203	6203	BEACON 325	SGL SPL EXT	0.500 x 3.75 IN SEF WITH 3.50 IN DOUBLE FULL FLAT	NONE	1144 STRESSPROOF (C-223)	ROLLED STEEL

THERMO-PROTECTORS				THERMISTORS	CONTROL	SPACE /n HEATERS
THERMOSTATS	PROTECTORS	WDG RTDs	BRG RTDs			
NONE	AUT LCK RTR ONLY	NONE	NONE	NONE	FALSE	NONE VOLTS

If Inverter equals NONE, contact factory for further information

*
N
O
T
E
S
*

INVERTER TORQUE: NONE
INV. HP SPEED RANGE: NONE
ENCODER: NONE
NONE NONE
NONE NONE PPR
BRAKE: NONE NONE
NONE P/N NONE
NONE NONE
NONE FT-LB NONE V NONE Hz

** Subject to change without notice.