

PRODUCT INFORMATION PACKET

Model No: 048A11O2029
Catalog No: X087
1/4,1075,OPEN,48Y,1/60/208-230
Condenser Fans



Regal and Marathon are trademarks of Regal Beloit Corporation or one of its affiliated companies.
©2018 Regal Beloit Corporation, All Rights Reserved. MC017097E



Nameplate Specifications

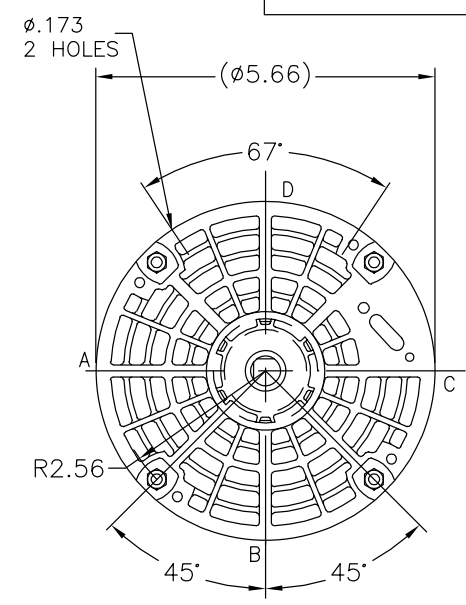
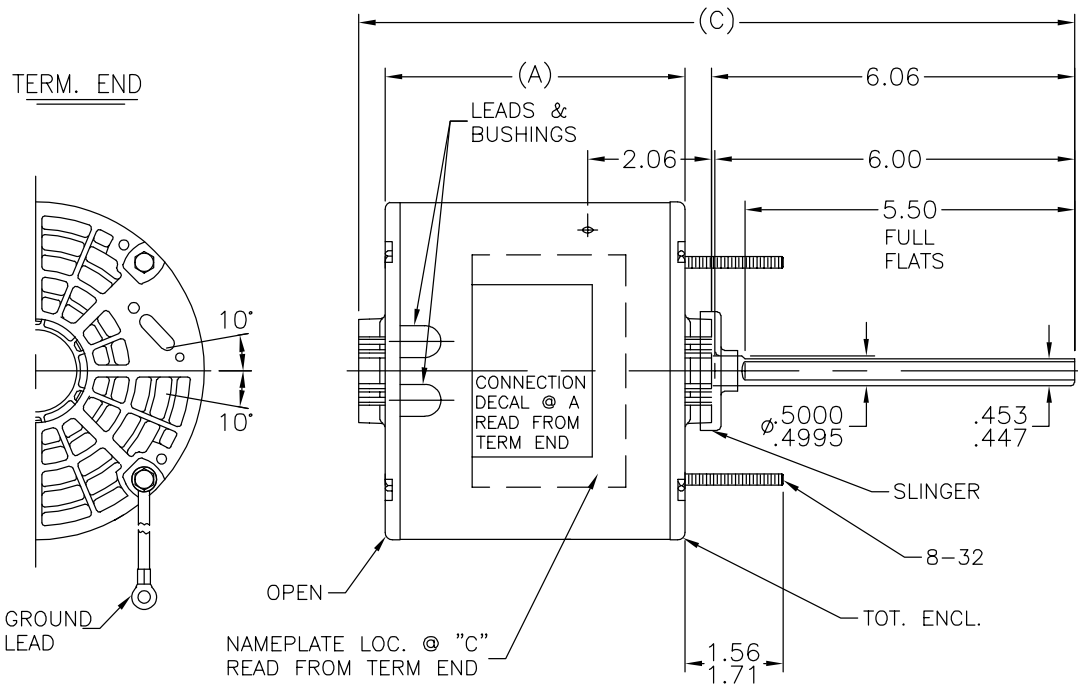
Output HP	0.25 Hp	Output KW	0.19 kW
Frequency	60 Hz	Voltage	208-230 V
Current	2.0-2.0 A	Speed	1075 rpm
Service Factor	1	Phase	1
Efficiency	64 %	Duty	Continuous
Insulation Class	B	Design Code	NO DESIGN CODE
KVA Code	B	Frame	48Z
Enclosure	Open Air Over	Overload Protector	Automatic Lock Rotor Only
Ambient Temperature	40 °C	Drive End Bearing Size	6203
Opp Drive End Bearing Size	6203	UL	Recognized
CSA	Y	CE	N
IP Code	10		

Technical Specifications

Electrical Type	Permanent Split Capacitor	Starting Method	Across The Line
Poles	6	Rotation	Selective Counterclockwise
Mounting	Round - Extended Studs	Motor Orientation	Horizontal
Drive End Bearing	Ball	Opp Drive End Bearing	Ball
Frame Material	Rolled Steel	Shaft Type	Single Special Extension
Overall Length	11.19 in	Frame Length	3.75 in
Shaft Diameter	0.500 in	Shaft Extension	6.06 in
Assembly/Box Mounting	F1 Only		
Outline Drawing	A-SS74113-375	Connection Diagram	6906496

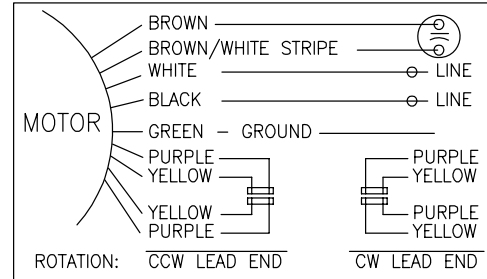
This is an uncontrolled document once printed or downloaded and is subject to change without notice. Date Created: 10/08/2018

SS74113

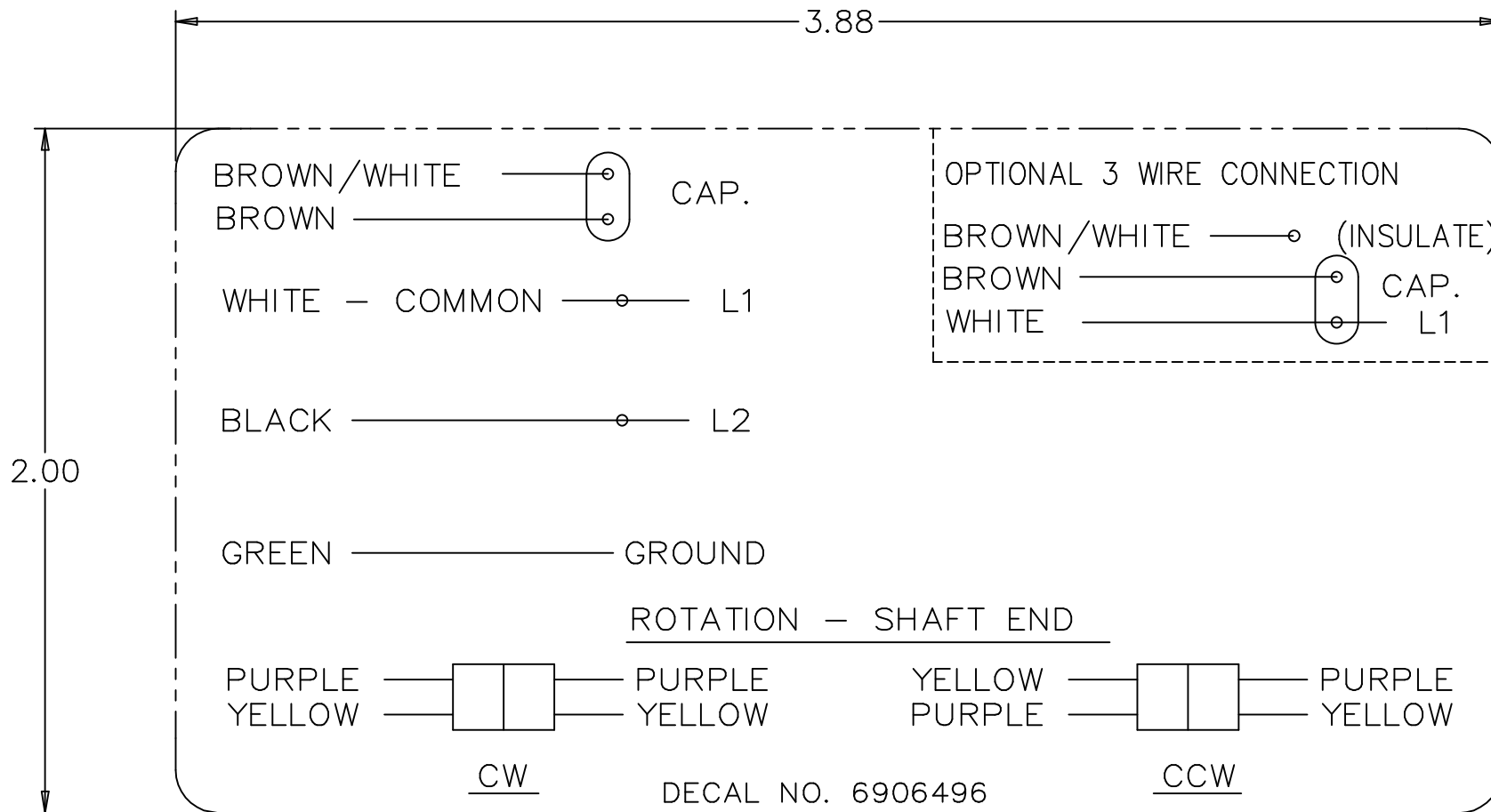


DASH	FR	C	A
375	48Y	11.19	4.25
400	48Y	11.44	4.50
425	48Y	11.69	4.75
450	48Y	11.94	5.00
475	48Y	12.19	5.25
500	48Y	12.44	5.50

LEAD DESCRIPTION:
 1 BLACK, AND 1 WHITE LEAD WITH .50 BARE WIRE STRIP 30.00" LONG.
 2 BROWN CAPACITOR LEADS WITH .25 FLAG-TYPE QUICK CONNECTS 30.00" LONG BROWN WITH WHITE MARK IS COMMON TO WHITE LEAD.
 REVERSING LEADS ARE MOLDED INTO MATING PULL APART PLUGS 1 PURPLE, AND 1 YELLOW PER PLUG 5.00" LONG.
 GROUND LEAD WITH TERM. FOR #10 SCREW 12.00" LONG.



		TOLERANCES UNLESS SPECIFIED		MARATHON ELECTRIC		DRAWN BLR 09-14-1995	
		DEC.	INCHES			CHK	DA 09-28-1995
		.X	±.1			APPD	CK 09-28-1995
5	UPDATED DRAWING	TJW	04/09/2007	.XX	±.03	SCALE 3=8	
4	REDRAWN IN AUTOCAD	TAT	07-22-2004	ML	.XXX ±.005	REF	
3	REDRAWN AND REVISED LEAD LENGTHS CN 21148	BLR	09-28-1995	.XXXX	±.0005	FMF	
NO.	REVISION	BY & DATE	CHK	ANG	±7'30"	PREV	
THIS DRAWING IN DESIGN AND DETAIL IS OUR PROPERTY AND MUST NOT BE USED EXCEPT IN CONNECTION WITH OUR WORK ALL RIGHTS OF DESIGN AND INVENTION ARE RESERVED THIS IS AN ELECTRONICALLY GENERATED DOCUMENT - DO NOT SCALE THIS PRINT				RFP	CAD FILE ss74113	SIZE	DRAWING NO. PAGE OF REV.
				DIST	WP	A	SS74113 5



NO.	REVISION	BY & DATE	CHK	TOLERANCES UNLESS SPECIFIED		FINISH	DRAWN MRB 04-16-1998		
				DEC.	INCHES				
4	ADDED DIM. TO DECAL	RDH 09/22/2003	ML	.X	±.1	REGAL-BELOIT <i>Motor Technologies</i>	CHK ML 04-22-1998		
3	REMOVED 'MARATHON ELECTRIC' CN 35106	DRS 05-01-2002	TOM	.XX	±.02		TITLE CONNECTION DECAL	APPD GK 04-22-1998	
2	PART NAME WAS CONNECTION DIAGRAM CN 25669	MRB 04-23-1998		.XXX	±.005			SCALE 1=1	
1	NEW DRAWING CN 25669	MRB 04-22-1998		.XXXX	±.0005		MAT'L.	REF	
				ANG	±7'30"		FMF		
			RFP			CAD FILE 6906496	PREV		
THIS DRAWING IN DESIGN AND DETAIL IS OUR PROPERTY AND MUST NOT BE USED EXCEPT IN CONNECTION WITH OUR WORK ALL RIGHTS OF DESIGN AND INVENTION ARE RESERVED THIS IS AN ELECTRONICALLY GENERATED DOCUMENT - DO NOT SCALE THIS PRINT				DIST	WP	SIZE A	DRAWING NO. 6906496	PAGE OF	REV. 4

** Subject to change without notice.