

PRODUCT INFORMATION PACKET

Model No: 048A17O155
Catalog No: X017
1/2,1625,OPEN,48Y,1/60/208-230
Direct Drive



Regal and Marathon are trademarks of Regal Beloit Corporation or one of its affiliated companies.
©2018 Regal Beloit Corporation, All Rights Reserved. MC017097E



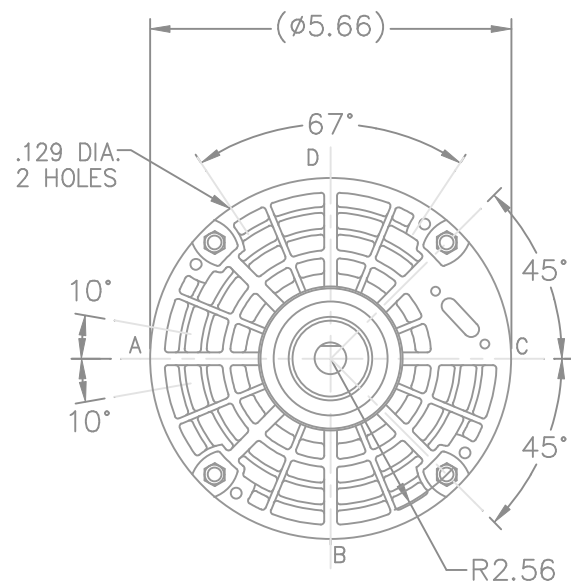
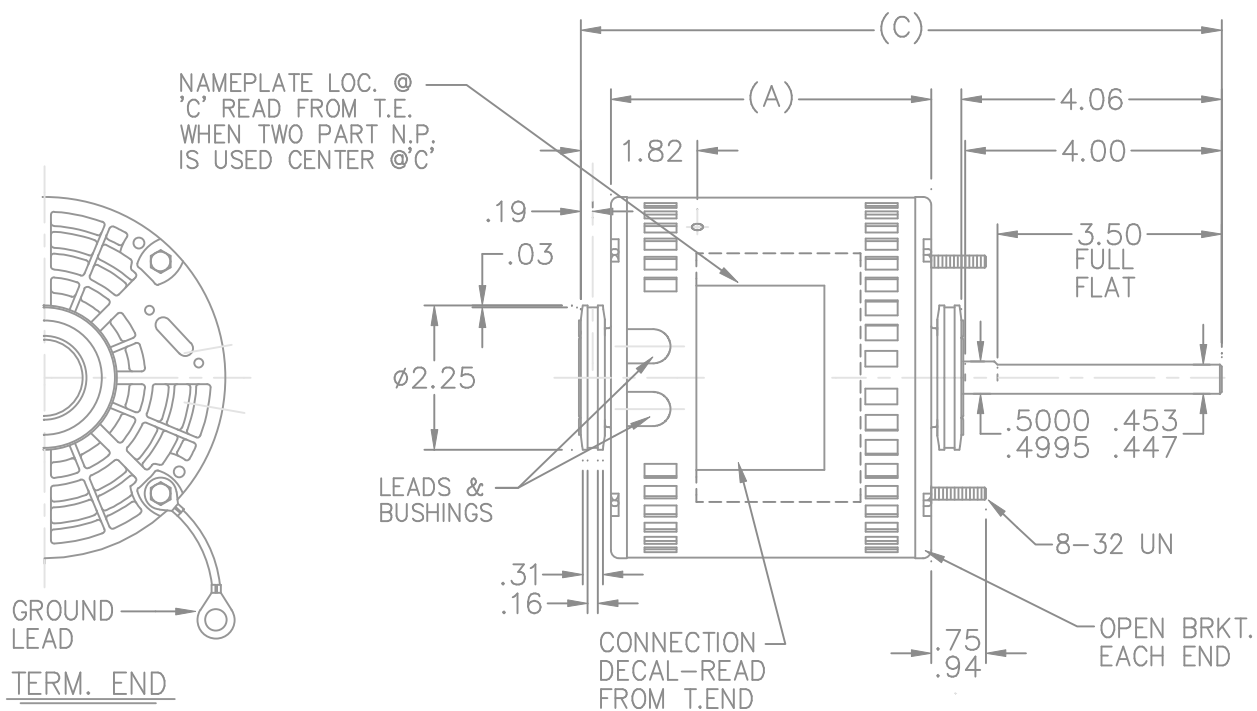
Nameplate Specifications

| | | | |
|----------------------------|----------------------|------------------------|----------------------------------|
| Output HP | 0.50 Hp | Output KW | 0.37 kW |
| Frequency | 60 Hz | Voltage | 208-230 V |
| Current | 4.1-4.1 A | Speed | 1625 rpm |
| Service Factor | 1 | Phase | 1 |
| Efficiency | 72 % | Duty | Continuous |
| Insulation Class | B | Design Code | NO DESIGN CODE |
| KVA Code | D | Frame | 48Z |
| Enclosure | Open Air Over | Overload Protector | Automatic Lock Rotor Only |
| Ambient Temperature | 40 °C | Drive End Bearing Size | 6203 |
| Opp Drive End Bearing Size | 6203 | UL | Recognized |
| CSA | Y | CE | N |
| IP Code | 10 | | |

Technical Specifications

| | | | |
|-----------------------|--|-----------------------|-----------------------------------|
| Electrical Type | Permanent Split Capacitor | Starting Method | Across The Line |
| Poles | 4 | Rotation | Selective Counterclockwise |
| Mounting | Resilient Ring - Extended Studs | Motor Orientation | Horizontal |
| Drive End Bearing | Ball | Opp Drive End Bearing | Ball |
| Frame Material | Rolled Steel | Shaft Type | Single Special Extension |
| Overall Length | 10.25 in | Frame Length | 4.75 in |
| Shaft Diameter | 0.500 in | Shaft Extension | 4.06 in |
| Assembly/Box Mounting | F1 Only | | |
| Outline Drawing | A-SS403409-475 | Connection Diagram | 6906493 |

This is an uncontrolled document once printed or downloaded and is subject to change without notice. Date Created: 10/08/2018



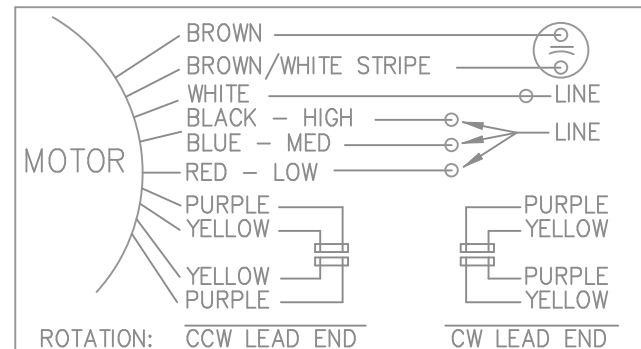
LEAD DESCRIPTION:

1 WHITE, 1 BLACK, 1 BLUE, & 1 RED, LEAD WITH .50 BARE WIRE STRIP. 30.00" LONG

2 BROWN LEADS WITH .25 FLAG-TYPE QUICK CONNECTS 30.00" LONG. BROWN/ WHITE MARKED LEAD IS COMMON TO WHITE.

REVERSING LEADS ARE MOLDED INTO MATING PULL-APART PLUGS. 1 YELLOW & 1 PURPLE LEAD PER PLUG. 5.00" LONG.

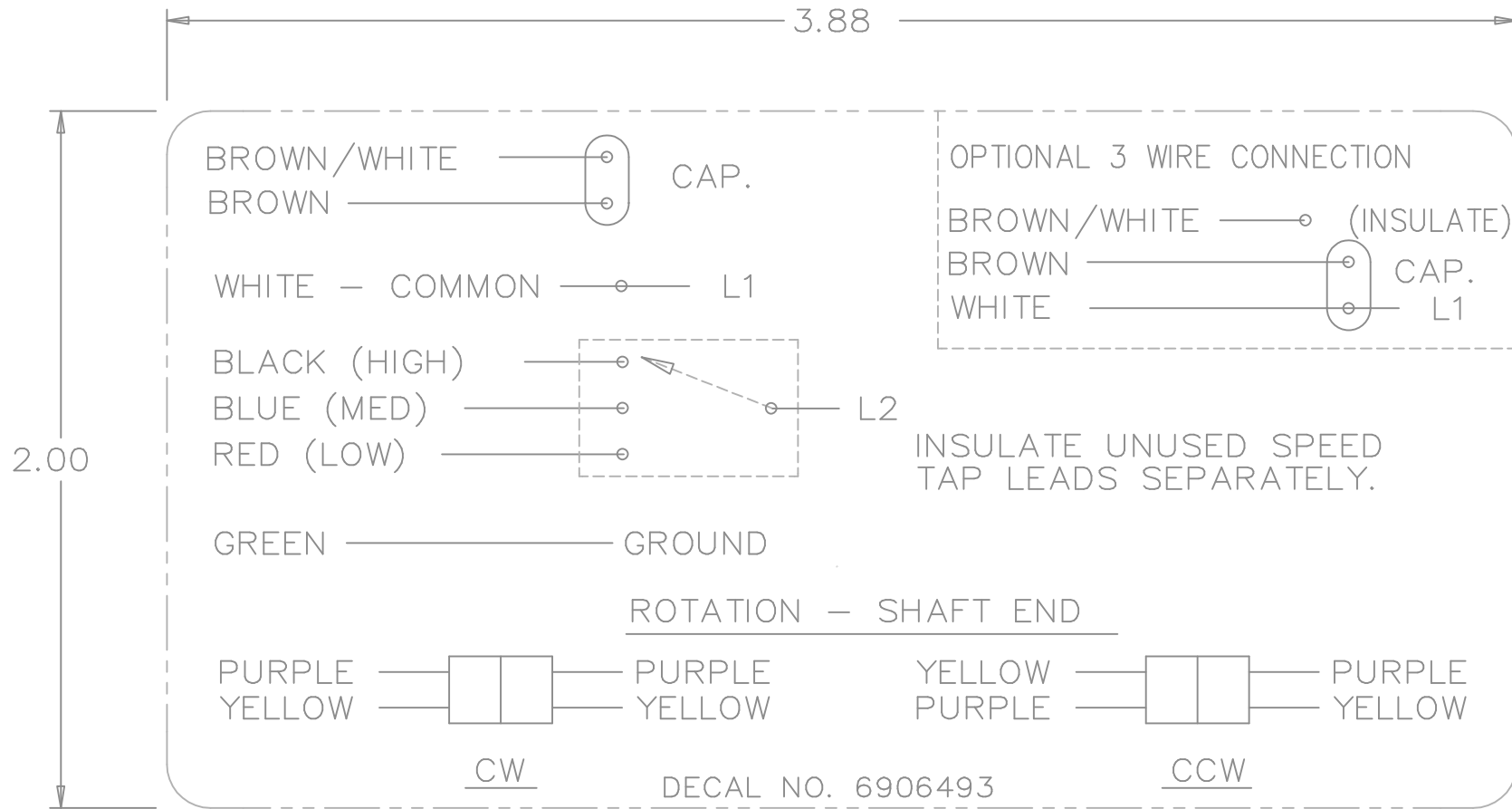
GREEN GROUND LEAD WITH TERM. FOR #10 SCREW 12.00" LONG.



| DASH | C | A |
|------|-------|------|
| 375 | 9.25 | 4.25 |
| 400 | 9.50 | 4.50 |
| 425 | 9.75 | 4.75 |
| 475 | 10.25 | 5.25 |
| 488 | 10.38 | 5.38 |
| 500 | 10.50 | 5.50 |

9/20/08
9/20/08
9/20/08
9/20/08

| | | | | TOLERANCES UNLESS SPECIFIED | | <p>MARATHON ELECTRIC</p> | DRAWN HLB 05-13-2004 | | |
|--|----------|-----------|-----|-----------------------------|------------|---------------------------------|----------------------|-----------|------------------------------|
| | | | | DEC. | INCHES | | CHK ML 05-13-2004 | | |
| | | | | .X | ±.1 | | APPD MJS 05-14-2004 | SCALE 3=9 | |
| | | | | .XX | ±.02 | | REF | | |
| | | | | .XXX | ±.005 | | FMF MU50817/MU50818 | | |
| NO. | REVISION | BY & DATE | CHK | ANG | ±7'30" | MAT'L. | PREV | | |
| THIS DRAWING IN DESIGN AND DETAIL IS OUR PROPERTY AND MUST NOT BE USED EXCEPT IN CONNECTION WITH OUR WORK ALL RIGHTS OF DESIGN AND INVENTION ARE RESERVED THIS IS AN ELECTRONICALLY GENERATED DOCUMENT - DO NOT SCALE THIS PRINT | | | | RFP | 05-14-2004 | CAD FILE | ss403409 | SIZE | DRAWING NO. PAGE 1 OF 1 REV. |
| | | | | DIST | WP | | | A | SS403409 |



| | | | | TOLERANCES UNLESS SPECIFIED | | REGAL-BELOIT <i>Motor Technologies</i> | DRAWN MRB 04-16-1998 | | | | |
|--|---|----------------|-----|-----------------------------|------------------|--|----------------------|-------------|------------|----|------|
| | | | | DEC. | INCHES | | CHK | ML | 04-22-1998 | | |
| | | | | .X | ±.1 | | APPD | GK | 04-22-1998 | | |
| 3 | REMOVED 'MARATHON ELECTRIC' CN 35106 | DRS 05-01-2002 | TOM | .XX | ± | TITLE CONNECTION DECAL | SCALE | 1=1 | | | |
| 2 | PART NAME WAS CONNECTION DIAGRAM CN 25669 | MRB 04-25-1998 | | .XXX | ±.005 | | REF | | | | |
| 1 | NEW DRAWING CN 25669 | MRB 04-22-1998 | | .XXXX | ±.0005 | MAT'L. | FMF | | | | |
| NO. | REVISION | BY & DATE | CHK | ANG | ± | FINISH | PREV | | | | |
| THIS DRAWING IN DESIGN AND DETAIL IS OUR PROPERTY AND MUST NOT BE USED EXCEPT IN CONNECTION WITH OUR WORK ALL RIGHTS OF DESIGN AND INVENTION ARE RESERVED THIS IS AN ELECTRONICALLY GENERATED DOCUMENT - DO NOT SCALE THIS PRINT | | | | RFP | CAD FILE 6906493 | | SIZE | DRAWING NO. | PAGE | OF | REV. |
| | | | | DIST | WP | | A | 6906493 | | | 3 |

CERTIFICATION DATA SHEET

Model#: 48A170155 E **WINDING#:** PE484204 NONE 2
CONN. DIAGRAM: 6906493 **ASSEMBLY:** F1 ONLY
OUTLINE: A-SS403409-475

TYPICAL MOTOR PERFORMANCE DATA

| HP | KW | SYNC. RPM | F.L. RPM | FRAME | ENCLOSURE | KVA CODE | DESIGN |
|-----|-----|-----------|----------|-------|-----------|----------|----------------|
| 1/2 | .37 | 1800 | 1625 | 48Z | OPAO | D | NO DESIGN CODE |

| PH | Hz | VOLTS | FL AMPS | START TYPE | DUTY | INSL | S.F | AMB°C | ELEVATION |
|----|----|---------|----------|-----------------|------------|------|-----|-------|-----------|
| 1 | 60 | 208-230 | 4.1-2.55 | ACROSS THE LINE | CONTINUOUS | B3 | 1.0 | 40 | 3300 |

| FULL LOAD EFF: 72 | 3/4 LOAD EFF: 70.4 | 1/2 LOAD EFF: 63.5 | GTD. EFF | ELEC. TYPE | NO LOAD AMPS |
|--------------------|--------------------|--------------------|----------|-------------|--------------|
| FULL LOAD PF: 87.2 | 3/4 LOAD PF: 83.9 | 1/2 LOAD PF: 76.6 | - | PSC 3 SPEED | 1.2 |

| F.L. TORQUE | LOCKED ROTOR AMPS | L.R. TORQUE | B.D. TORQUE | F.L. RISE°C |
|-------------|-------------------|--------------|--------------|-------------|
| 24.8 LB-FT | 9.6 | 8.64 LB-FT - | 45.1 LB-FT - | 80 |

| SOUND PRESSURE @ 3 FT. | SOUND POWER | ROTOR WK^2 | MAX. WK^2 | SAFE STALL TIME | STARTS /HOUR | APPROX. MOTOR WGT |
|------------------------|-------------|------------|-----------|-----------------|--------------|-------------------|
| - dBA | - dBA | - LB-FT^2 | - LB-FT^2 | - SEC. | - | - LBS. |

***** SUPPLEMENTAL INFORMATION *****

| DE BRACKET TYPE | ODE BRACKET TYPE | MOUNT TYPE | ORIENTATION | SEVERE DUTY | HAZARDOUS LOCATION | DRIP COVER | SCREENS | PAINT |
|-----------------|------------------|--------------------------------|-------------|-------------|--------------------|------------|---------|---------------|
| STANDARD | STANDARD | RESILIENT RING- EXTENDED STUDS | HORIZONTAL | FALSE | NONE | FALSE | NONE | GRAY (POWDER) |

| BEARINGS | | GREASE | SHAFT TYPE | SPECIAL DE | SPECIAL ODE | SHAFT MATERIAL | FRAME MATERIAL |
|----------|------|------------|-------------|--|-------------|--------------------------|----------------|
| DE | OPE | | | | | | |
| BALL | BALL | BEACON 325 | SGL SPL EXT | 0.500 x 4.00 IN SEF WITH 3.50 IN FULL FLAT | NONE | 1144 STRESSPROOF (C-223) | ROLLED STEEL |
| 6203 | 6203 | | | | | | |

| THERMO-PROTECTORS | | | | THERMISTORS | CONTROL | SPACE /n HEATERS |
|-------------------|------------|----------|----------|-------------|---------|------------------|
| THERMOSTATS | PROTECTORS | WDG RTDs | BRG RTDs | | | |
| NONE | NOT | NONE | NONE | NONE | FALSE | NONE VOLTS |

If Inverter equals NONE, contact factory for further information

| |
|---------------------------|
| INVERTER TORQUE: NONE |
| INV. HP SPEED RANGE: NONE |
| ENCODER: NONE |
| NONE NONE |
| NONE NONE PPR |
| BRAKE: NONE NONE |
| NONE P/N NONE |
| NONE NONE |
| NONE FT-LB NONE V NONE Hz |

*
N
O
T
E
S
*

** Subject to change without notice.