

PRODUCT INFORMATION PACKET

Model No: 048A17O153
Catalog No: X016
1/2,1625,OPAO,48Y,1/60/115
Direct Drive



Regal and Marathon are trademarks of Regal Beloit Corporation or one of its affiliated companies.
©2018 Regal Beloit Corporation, All Rights Reserved. MC017097E

Nameplate Specifications

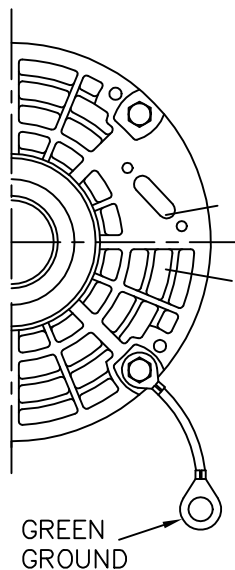
Output HP	0.50 Hp	Output KW	0.37 kW
Frequency	60 Hz	Voltage	115 V
Current	7.4 A	Speed	1625 rpm
Service Factor	1	Phase	1
Efficiency	71.7 %	Duty	Continuous
Insulation Class	B	Design Code	NO DESIGN CODE
KVA Code	C	Frame	48Z
Enclosure	Open Air Over	Overload Protector	Automatic Lock Rotor Only
Ambient Temperature	40 °C	Drive End Bearing Size	6203
Opp Drive End Bearing Size	6203	UL	Recognized
CSA	Y	CE	N
IP Code	10		

Technical Specifications

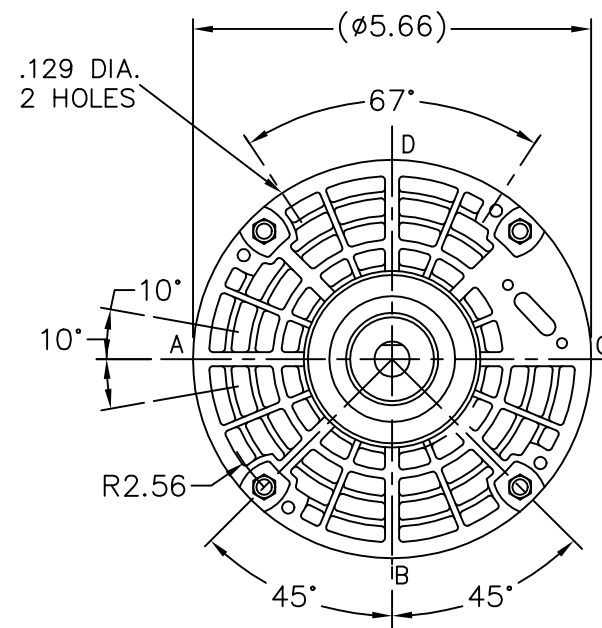
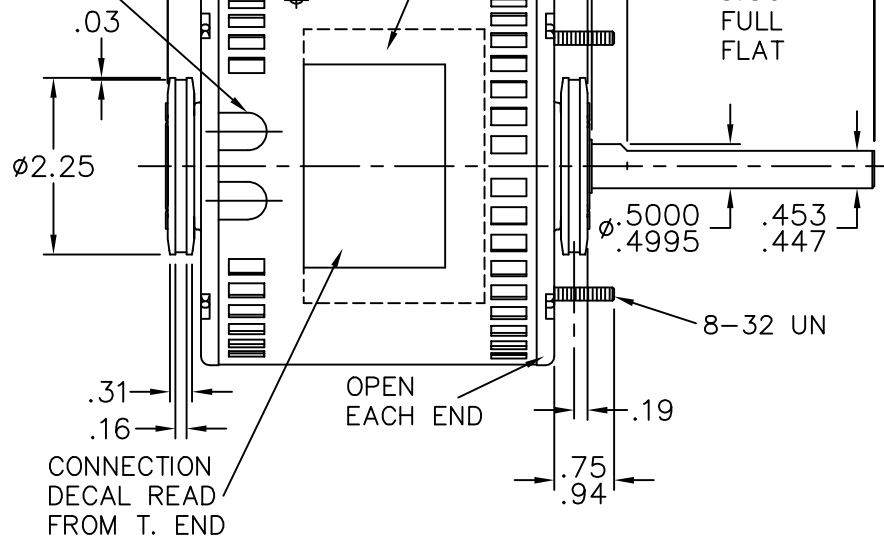
Electrical Type	Permanent Split Capacitor	Starting Method	Across The Line
Poles	4	Rotation	Selective Counterclockwise
Mounting	Resilient Ring - Extended Studs	Motor Orientation	Horizontal
Drive End Bearing	Ball	Opp Drive End Bearing	Ball
Frame Material	Rolled Steel	Shaft Type	Single Special Extension
Overall Length	10.25 in	Frame Length	4.75 in
Shaft Diameter	0.500 in	Shaft Extension	4.06 in
Assembly/Box Mounting	F1 Only		
Outline Drawing	A-SS403608-475	Connection Diagram	6906493

This is an uncontrolled document once printed or downloaded and is subject to change without notice. Date Created: 10/08/2018

TERM. END



LEADS & BUSHINGS



DASH	FR.	C	A
400	48Y	10.00	5.00
475	48Y	10.25	5.25
500	48Y	10.50	5.50
525	48Y	10.75	5.75

10/1/2008
10/1/2008
10/20/2008

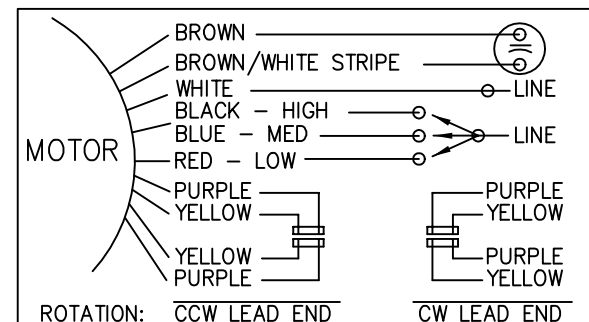
LEAD DESCRIPTION:

1 WHITE, 1 BLACK, 1 BLUE, & 1 RED LEAD WITH .50 BARE WIRE STRIP. 30.00" LONG.

2 BROWN LEADS WITH .25 FLAG-TYPE QUICK CONNECTS, 30.00" LONG. BROWN/WHITE MARKED LEAD IS COMMON TO WHITE.

REVERSING LEADS ARE MOLDED INTO MATING PULL-APART PLUGS. 1 YELLOW & 1 PURPLE LEAD PER PLUG. 5.00" LONG.

GREEN LEAD WITH TERM. FOR #10 SCREW 12.00" LONG.



NO.	REVISION	BY & DATE	CHK	ANG	TOLERANCES UNLESS SPECIFIED	
					DEC.	INCHES
				.X	±.1	
				.XX	±.03	
02	FEW MORE DASH VALUES ADDED.	SP 7/7/2008	NB	.XXX	±.005	
01	DASH VALUE ADDED.	SP 05-20-2008	NB	.XXXX	±.0005	
				ANG	±7'30"	

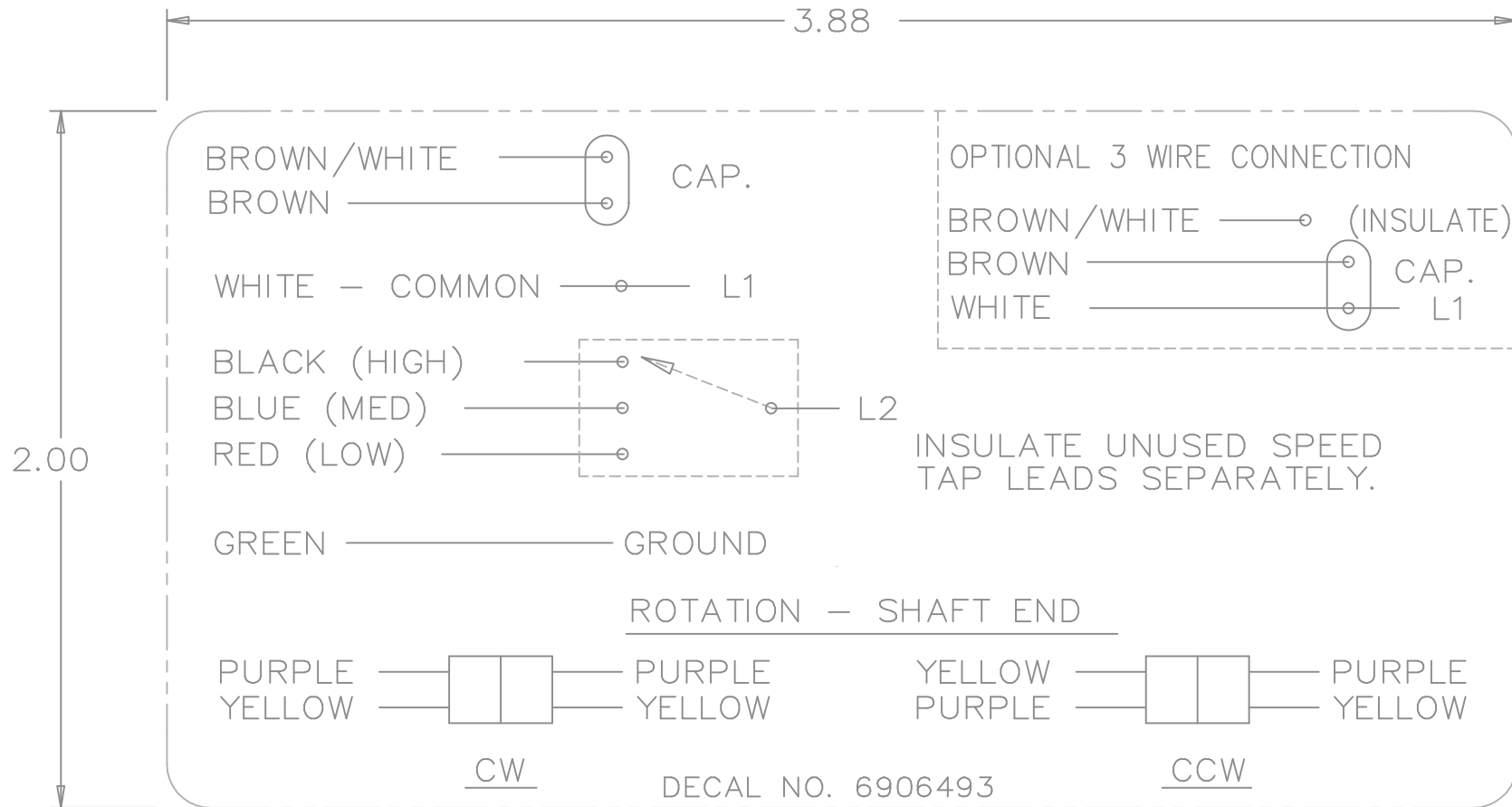
MARATHON ELECTRIC

TITLE OUTLINE

DRAWN	NB 05-15-2007
CHK	VL 05-20-2007
APPD	VL 05-20-2007
SCALE	3=8
REF	SS75119
FMF	MU79124
PREV	

RFP	05-20-2007	CAD FILE	ss403608	SIZE	A	DRAWING NO.	SS403608	PAGE	OF	REV.	02
-----	------------	----------	----------	------	---	-------------	----------	------	----	------	----

THIS DRAWING IN DESIGN AND DETAIL IS OUR PROPERTY AND MUST NOT BE USED EXCEPT IN CONNECTION WITH OUR WORK ALL RIGHTS OF DESIGN AND INVENTION ARE RESERVED THIS IS AN ELECTRONICALLY GENERATED DOCUMENT - DO NOT SCALE THIS PRINT



				TOLERANCES UNLESS SPECIFIED		REGAL-BELOIT <i>Motor Technologies</i>	DRAWN MRB 04-16-1998				
				DEC.	INCHES		CHK	ML	04-22-1998		
				.X	±.1		APPD	GK	04-22-1998		
3	REMOVED 'MARATHON ELECTRIC' CN 35106	DRS 05-01-2002	TOM	.XX	±	TITLE CONNECTION DECAL	SCALE	1=1			
2	PART NAME WAS CONNECTION DIAGRAM CN 25669	MRB 04-25-1998		.XXX	±.005		REF				
1	NEW DRAWING CN 25669	MRB 04-22-1998		.XXXX	±.0005	MAT'L.	FMF				
NO.	REVISION	BY & DATE	CHK	ANG	±	FINISH	PREV				
THIS DRAWING IN DESIGN AND DETAIL IS OUR PROPERTY AND MUST NOT BE USED EXCEPT IN CONNECTION WITH OUR WORK ALL RIGHTS OF DESIGN AND INVENTION ARE RESERVED THIS IS AN ELECTRONICALLY GENERATED DOCUMENT - DO NOT SCALE THIS PRINT				RFP	CAD FILE 6906493		SIZE	DRAWING NO.	PAGE	OF	REV.
				DIST	WP		A	6906493			3

CERTIFICATION DATA SHEET

Model#: 48A170153 E WINDING#: PE484236 NONE 1
 CONN. DIAGRAM: 6906493 ASSEMBLY: F1 ONLY
 OUTLINE: A-SS403608-475

TYPICAL MOTOR PERFORMANCE DATA

HP	KW	SYNC. RPM	F.L. RPM	FRAME	ENCLOSURE	KVA CODE	DESIGN			
1/2	.37	1800	1625	48Z	OPA0	C	NO DESIGN CODE			
PH	Hz	VOLTS	FL AMPS	START TYPE	DUTY	INSL	S.F	AMB°C	ELEVATION	
1	60	115	7.4	ACROSS THE LINE	CONTINUOUS	B3	1.0	40	3300	
FULL LOAD EFF: 71.7		3/4 LOAD EFF: -		1/2 LOAD EFF: -		GTD. EFF		ELEC. TYPE		NO LOAD AMPS
		-		-		-		PSC 3 SPEED		1.8
F.L. TORQUE		LOCKED ROTOR AMPS		L.R. TORQUE		B.D. TORQUE		F.L. RISE°C		
24.6 LB-FT		17.7		8.72 LB-FT -		41.2 LB-FT -		-		
SOUND PRESSURE @ 3 FT.	SOUND POWER	ROTOR WK^2	MAX. WK^2	SAFE STALL TIME	STARTS /HOUR	APPROX. MOTOR WGT				
- dBA	- dBA	- LB-FT^2	- LB-FT^2	- SEC.	-	- LBS.				

*** SUPPLEMENTAL INFORMATION ***

DE BRACKET TYPE	ODE BRACKET TYPE	MOUNT TYPE	ORIENTATION	SEVERE DUTY	HAZARDOUS LOCATION	DRIP COVER	SCREENS	PAINT
STANDARD	STANDARD	RESILIENT RING-EXTENDED STUDS	HORIZONTAL	FALSE	NONE	FALSE	NONE	GRAY (POWDER)
BEARINGS		GREASE	SHAFT TYPE	SPECIAL DE	SPECIAL ODE	SHAFT MATERIAL	FRAME MATERIAL	
DE	OPE	BEACON 325	SGL SPL EXT	0.500 x 4.00 IN SEF WITH 3.50 IN FULL FLAT	NONE	1144 STRESSPROOF (C-223)	ROLLED STEEL	
BALL	BALL							
6203	6203							
THERMO-PROTECTORS				THERMISTORS	CONTROL	SPACE /n HEATERS		
THERMOSTATS	PROTECTORS	WDG RTDs	BRG RTDs	NONE	FALSE	NONE VOLTS		
NONE	AUT LCK RTR ONLY	NONE	NONE					

If Inverter equals NONE, contact factory for further information

INVERTER TORQUE: NONE
INV. HP SPEED RANGE: NONE
ENCODER: NONE
NONE NONE
NONE NONE PPR
BRAKE: NONE NONE
NONE P/N NONE
NONE NONE
NONE FT-LB NONE V NONE Hz

*
N
O
T
E
S
*

** Subject to change without notice.