

PRODUCT INFORMATION PACKET

Model No: 048A11O1769
Catalog No: X002
1/3,1140,OPAO,48,1/60/115
Direct Drive



Regal and Marathon are trademarks of Regal Beloit Corporation or one of its affiliated companies.
©2018 Regal Beloit Corporation, All Rights Reserved. MC017097E

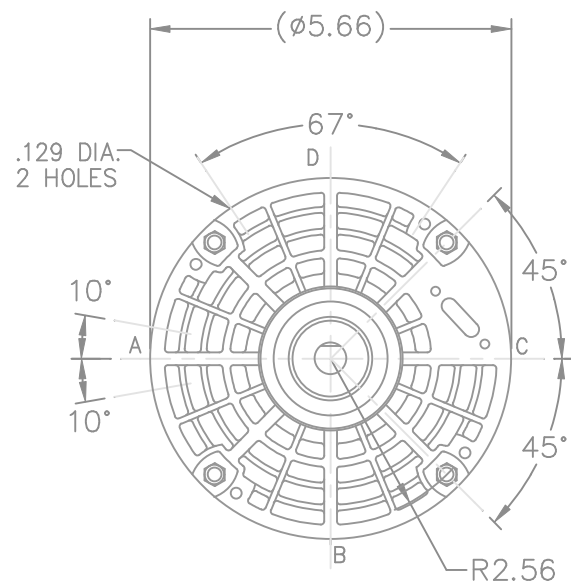
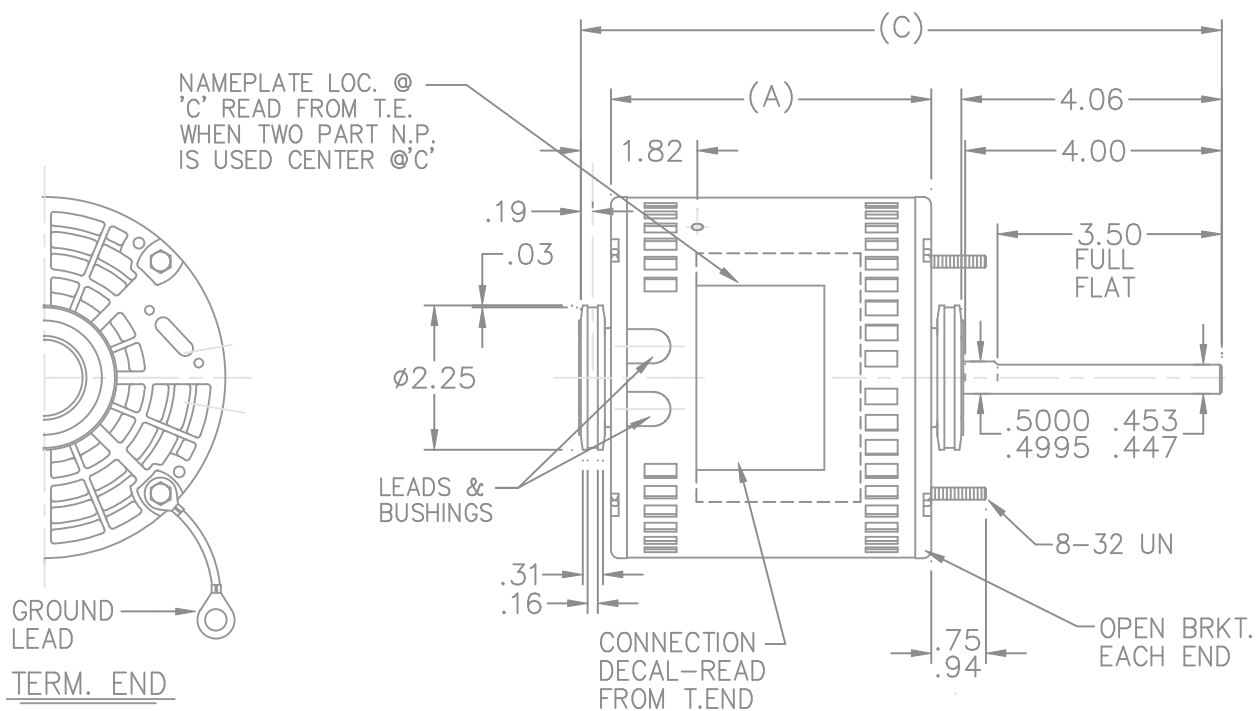
Nameplate Specifications

Output HP	0.33 Hp	Output KW	0.25 kW
Frequency	60 Hz	Voltage	115 V
Current	4.6 A	Speed	1075 rpm
Service Factor	1	Phase	1
Efficiency	57.5 %	Duty	Continous
Insulation Class	B	Design Code	N
KVA Code	E	Frame	48Z
Enclosure	Open Air Over	Overload Protector	Automatic Lock Rotor Only
Ambient Temperature	40 °C	Drive End Bearing Size	6203
Opp Drive End Bearing Size	6203	UL	Recognized
CSA	Y	CE	N
IP Code	10		

Technical Specifications

Electrical Type	Permanent Split Capacitor	Starting Method	Across The Line
Poles	6	Rotation	Selective Counterclockwise
Mounting	Resilient Ring - Extended Studs	Motor Orientation	Horizontal
Drive End Bearing	Ball	Opp Drive End Bearing	Ball
Frame Material	Rolled Steel	Shaft Type	Single Special Extension
Overall Length	9.75 in	Frame Length	4.25 in
Shaft Diameter	0.500 in	Shaft Extension	4.06 in
Assembly/Box Mounting	F1 Only		
Outline Drawing	A-SS403409-425	Connection Diagram	6906493

This is an uncontrolled document once printed or downloaded and is subject to change without notice. Date Created: 10/08/2018



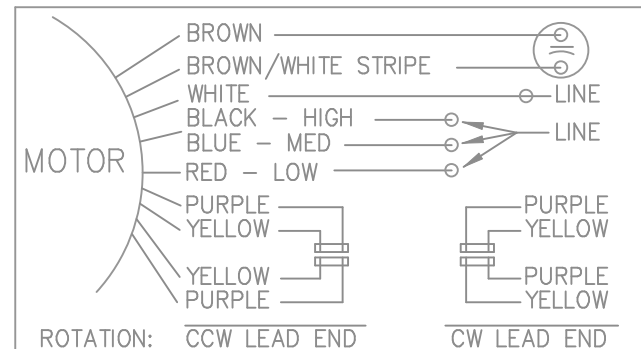
LEAD DESCRIPTION:

1 WHITE, 1 BLACK, 1 BLUE, & 1 RED, LEAD WITH .50 BARE WIRE STRIP. 30.00" LONG

2 BROWN LEADS WITH .25 FLAG-TYPE QUICK CONNECTS 30.00" LONG. BROWN/ WHITE MARKED LEAD IS COMMON TO WHITE.

REVERSING LEADS ARE MOLDED INTO MATING PULL-APART PLUGS. 1 YELLOW & 1 PURPLE LEAD PER PLUG. 5.00" LONG.

GREEN GROUND LEAD WITH TERM. FOR #10 SCREW 12.00" LONG.

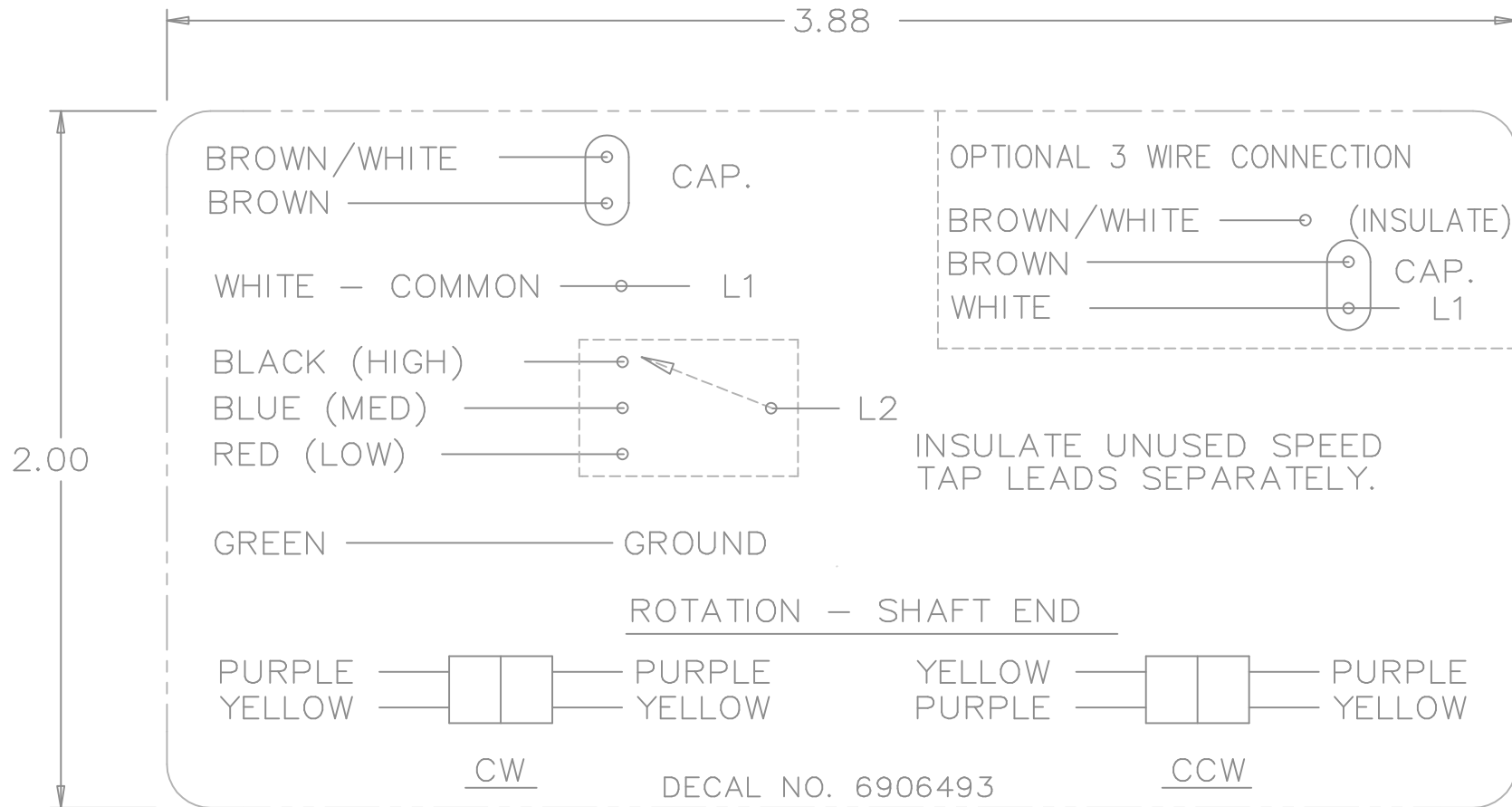


DASH	C	A
375	9.25	4.25
400	9.50	4.50
425	9.75	4.75
475	10.25	5.25
488	10.38	5.38
500	10.50	5.50

9/20/08
9/20/08
9/20/08
9/20/08

				TOLERANCES UNLESS SPECIFIED		MARATHON ELECTRIC	DRAWN HLB 05-13-2004				
				DEC.	INCHES		CHK	ML 05-13-2004	APPD	MJS 05-14-2004	
				.X	±.1	TITLE OUTLINE	SCALE 3=9				
				.XX	±.02		REF				
				.XXX	±.005		FMF MU50817/MU50818				
				.XXXX	±.0005		PREV				
NO.	REVISION	BY & DATE	CHK	ANG	±7'30"	MAT'L.	FINISH				
				RFP	05-14-2004	CAD FILE	ss403409	SIZE	DRAWING NO.	PAGE 1 OF 1	REV.
				DIST	WP			A	SS403409		

THIS DRAWING IN DESIGN AND DETAIL IS OUR PROPERTY AND MUST NOT BE USED EXCEPT IN CONNECTION WITH OUR WORK ALL RIGHTS OF DESIGN AND INVENTION ARE RESERVED THIS IS AN ELECTRONICALLY GENERATED DOCUMENT - DO NOT SCALE THIS PRINT



				TOLERANCES UNLESS SPECIFIED		REGAL-BELOIT <i>Motor Technologies</i>	DRAWN MRB 04-16-1998				
				DEC.	INCHES		CHK	ML	04-22-1998		
				.X	±.1		APPD	GK	04-22-1998		
3	REMOVED 'MARATHON ELECTRIC' CN 35106	DRS 05-01-2002	TOM	.XX	±	TITLE CONNECTION DECAL	SCALE	1=1			
2	PART NAME WAS CONNECTION DIAGRAM CN 25669	MRB 04-25-1998		.XXX	±.005		REF				
1	NEW DRAWING CN 25669	MRB 04-22-1998		.XXXX	±.0005	MAT'L.	FMF				
NO.	REVISION	BY & DATE	CHK	ANG	±	FINISH	PREV				
THIS DRAWING IN DESIGN AND DETAIL IS OUR PROPERTY AND MUST NOT BE USED EXCEPT IN CONNECTION WITH OUR WORK ALL RIGHTS OF DESIGN AND INVENTION ARE RESERVED THIS IS AN ELECTRONICALLY GENERATED DOCUMENT - DO NOT SCALE THIS PRINT				RFP	CAD FILE 6906493		SIZE	DRAWING NO.	PAGE	OF	REV.
				DIST	WP		A	6906493			3

