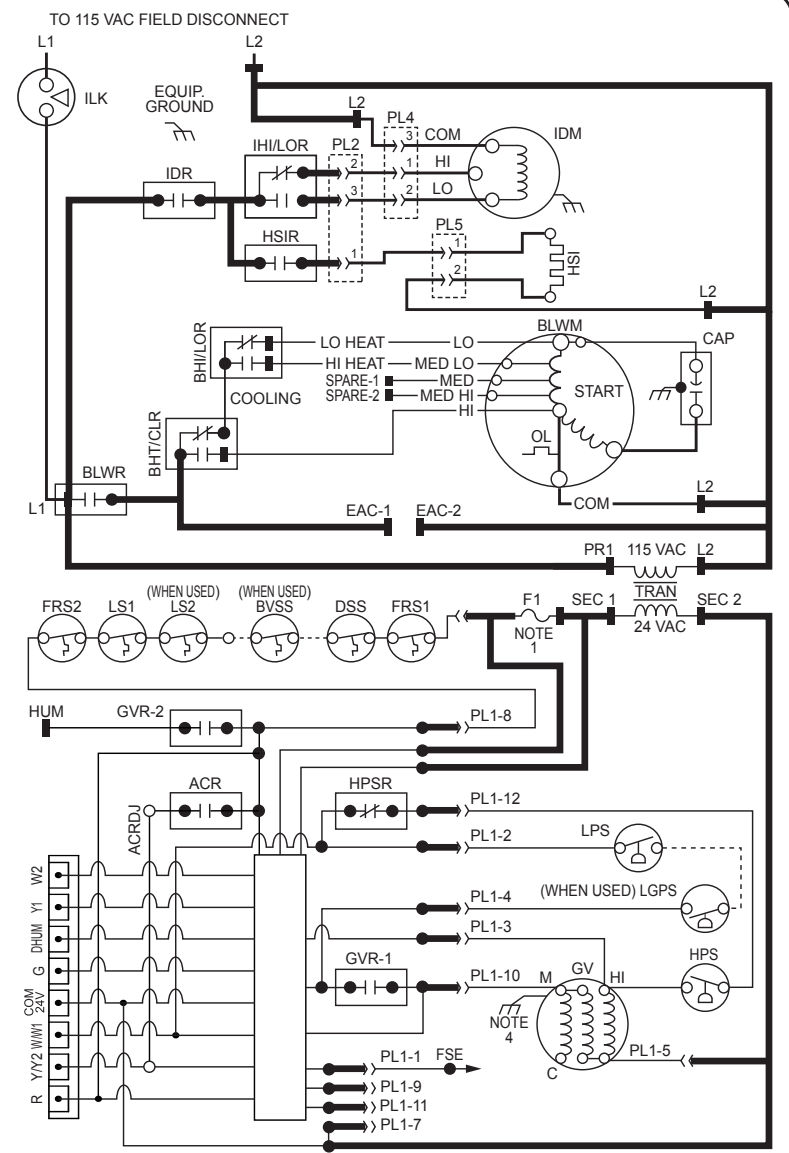


LEGEND	LPS	Low Pressure Switch Relay, SPST (N.O.)
ACR	LS	Limit Switch, Auto Reset, SPST (N.C.)
ACRDJ	OL	Auto-Reset Internal Motor Overload Temperature Switch (N.C.)
BHI/LOR	PL1	PCB Connector
BHT/CLR	PL2	PCB Connector
BLWR	PL3	Adapter Connector
BLWM	PL4	Adapter Connector
BVSS	PL5	Adapter Connector
CAP	PL6	HSI Connector
DSS	TRAN	Transformer - 115 VAC/24 VAC
EAC-1	●	Junction
EAC-2	○	Unmarked Terminal
F1	■	PCB Terminal
F2	—	Factory Wiring (115 VAC)
GND	- - -	Factory Wiring (24 VAC)
GV	· · · · ·	Field Wiring (115 VAC)
GVR	· · · · ·	Field Wiring (24 VAC)
HI/LO	⊙	Field Wiring Terminal
HPS	⊕	Field Earth Ground
HSI	⊕	Equipment Ground
HSIR	⊕	Field Splice
HUM	→	Plug Receptacle
HPSR		
IDM		
IDR		
IHI/LOR		
ILK		
JB		
LED		
LGPS		



- NOTES:**
1. Use 3 amp fuse only.
 2. Factory connected when BVSS is not installed in the system.
 3. Factory connected when LGPS is not used.
 4. This wire must be connected to the furnace sheet metal.
 5. Replacement wire must be rated for 105°C.
 6. Use only copper wire between the disconnect switch and the furnace junction box.
 7. Blower motor speed selections shown are for average conditions. Contact furnace manufacturer before using other speeds.
 8. Neutral connectors are all connected together on the circuit board.
 9. Blower motor and inducer motor contain internal thermal overload switches that will auto-reset.