

Turbo air
AIR CONDITIONER MANUFACTURER

4184 E. Conant St.
Long Beach, CA 90808
Tel. 888-900-1002
Fax. 310-900-1088
www.turboairinc.net

Project :

Model # :

Item # :

Qty :

Approval :

Center Mount Cooler

Model : TCA178A



≡ FEATURES / BENEFITS ≡



Blue Anti-Corrosion
Hydrophobic Coated Fin.
Air Pass Guard for Better
Efficiency.



Inner Groove Copper Tube
for Maximum Coil Efficiency.
Mounted TXV, Solenoid,
Thermostat(Optional).



Stainless Steel Mount-
ing, Bolt and Drain.
Double Drain Pan for
Easier Cleaning.

MODEL CAPACITY

- Air Defrost Coil : 5800(1 Fan) ~ 35600BTU(5 Fan)
- Electric Defrost Coil : 5800(1 Fan) ~ 35600BTU(5 Fan)
- Optional EC Motor Available

Center Mount Cooler

Model : TCA178A

TCA Air Defrost Models 60Hz. With PSC Motors.

| Capacity BTUH/Watts 10°F /6°C TD 25°F / -4°C SST | Capacity BTUH/Watts 15°F /8°C TD 25°F / -4°C SST | Fan Data | |
|---|---|------------------------|-----|
| | | CFM / m ³ H | No. |
| 17805 / 5215 | 25024 / 7329 | 2162 / 3673 | 2 |

| PSC Motor Data | | |
|----------------|------------|-------|
| 115V 1Ph 60Hz | | |
| HP | Total Amps | Watts |
| 1/15 | 1.50 | 160 |

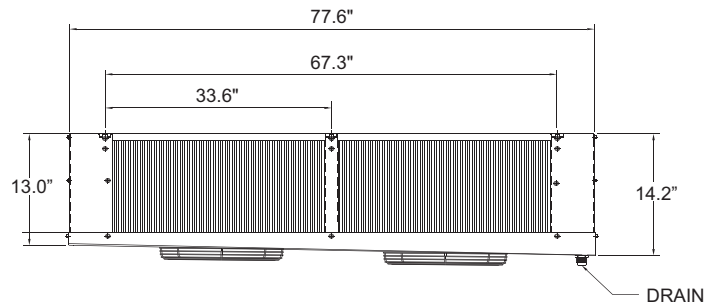
| Connections (Inches) | | | | Approx. Net Wt. Lbs |
|----------------------|----------|--------------------|---------|---------------------------|
| Coil Inlet | Suction | External Equalizer | Drain | |
| 1/2 OD | 1-1/8 ID | 1/4 OD | 3/4 MPT | 141 |

Design and specifications subject to change without notice

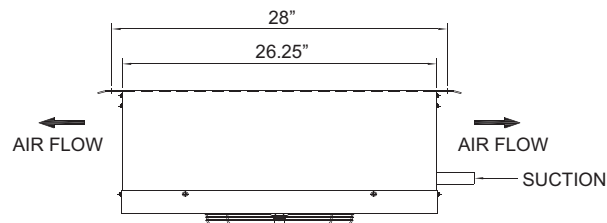
■ **WARRANTY : 1 Year Fan Motor and Parts Warranty**

PLAN VIEW

(unit : inch)



FRONT VIEW



RIGHT SIDE VIEW



■ Toll Free : 888-900-1002