

**Turbo air**  
AIR CONDITIONER MANUFACTURER

4184 E. Conant St.  
Long Beach, CA 90808  
Tel. 888-900-1002  
Fax. 310-900-1088  
[www.turboairinc.net](http://www.turboairinc.net)

Project :

Model # :

Item # :

Qty :

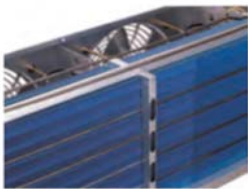
Approval :

## Center Mount Cooler

**Model : TCA087A**



### ≡ FEATURES / BENEFITS ≡



Blue Anti-Corrosion  
Hydrophobic Coated Fin.  
Air Pass Guard for Better  
Efficiency.



Inner Groove Copper Tube  
for Maximum Coil Efficiency.  
Mounted TXV, Solenoid,  
Thermostat(Optional).



Stainless Steel Mount-  
ing, Bolt and Drain.  
Double Drain Pan for  
Easier Cleaning.

#### MODEL CAPACITY

- Air Defrost Coil : 5800(1 Fan) ~ 35600BTU(5 Fan)
- Electric Defrost Coil : 5800(1 Fan) ~ 35600BTU(5 Fan)
- Optional EC Motor Available

# Center Mount Cooler

## Model : TCA087A

TCA Air Defrost Models 60Hz. With PSC Motors.

Capacity BTUH/Watts 10°F /6°C TD 25°F / -4°C SST	Capacity BTUH/Watts 15°F /8°C TD 25°F / -4°C SST	Fan Data	
		CFM / m <sup>3</sup> H	No.
8781 / 2572	12675 / 3712	1034 / 1757	1

PSC Motor Data		
115V 1Ph 60Hz		
HP	Total Amps	Watts
1/15	0.75	80

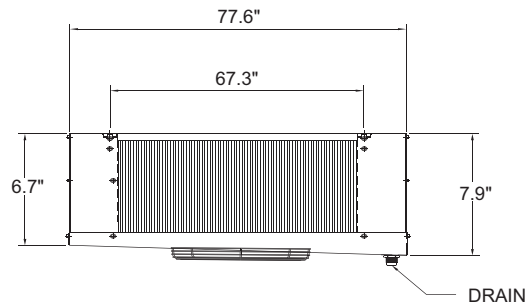
Connections (Inches)				Approx. Net Wt. Lbs
Coil Inlet	Suction	External Equalizer	Drain	
1/2 OD	7/8 ID	1/4 OD	3/4 MPT	86

Design and specifications subject to change without notice

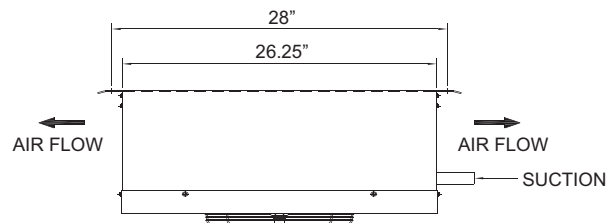
■ **WARRANTY : 1 Year Fan Motor and Parts Warranty**

## PLAN VIEW

(unit : inch)



FRONT VIEW



RIGHT SIDE VIEW



■ Toll Free : 888-900-1002

