

Turbo air
AIR CONDITIONER MANUFACTURER

4184 E. Conant St.
Long Beach, CA 90808
Tel. 888-900-1002
Fax. 310-900-1088
www.turboairinc.net

Project :

Model # :

Item # :

Qty :

Approval :

Medium Profile Coil

Model : MLD253B



≡ FEATURES / BENEFITS ≡

■ Feature

- More space in the electrical cavity
- Electrical board is now facing forward for easy installation and servicing.
- All wiring (solenoid and motor) is now located in the bottom of the unit for easy access.
- Charge nipple provided for suction pressure measurement.
- Aluminum case are now powder coated for corrosion protection.
- FAN GUIDE GRILL provided for air throw extension.
- Drain pan hinged on rear for easy access and applied double drain pan for thermal efficiency.

■ Front Access with More Space

- Design features easy front access to both electrical and refrigeration components.
- More space in the electrical cavity makes the unit easier to service and install.
- Front facing electrical control board.

■ Wiring

- Solenoid harness is standard
- Motor and solenoid harnesses are attached to sheet metal panels and are now located at the bottom of the unit for easy access.
- Holes in the bottom of the sheet metal panels for easier wire routing.
- Easy plug connectors for motor harness.

■ Heaters & Coil

- Coil heater slots have been enlarged for easier installation and replacement.
- Fixed defrost termination and adjustable defrost cycle on electric defrost.

Medium Profile Coil

Model : MLD253B

MLD Electric Defrost Models 60Hz. With PSC Motors. 4FPI

| LED Model | Capacity BTUH/Watts 10°F /6°C TD -20°F/-29°C SST | Fan Data | | PSC Motor Data | | | Defrost Heater (Total Amps) | | |
|-----------|---|----------------------|-----|-------------------|---------------|-------|--------------------------------|--------------|--------------|
| | | CFM/m ³ H | No. | 208-230V 1Ph 60Hz | | | Watts | 230/ 1/60 | 230/ 3/60 |
| | | | | HP | Total Amps | Watts | | | |
| MLD253B | 25300 | 7090 | 3 | 1/4 | 9.00 | 900 | 7680 | - | 19.3 |

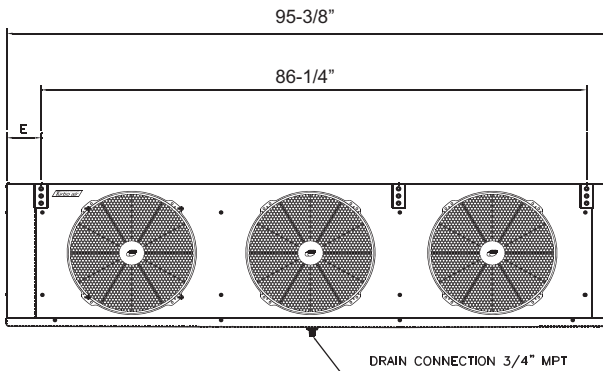
| LED Model | Connections (Inches) | | | | Approx. Net Wt. Lbs |
|-----------|----------------------|----------|-----------------------|---------|---------------------------|
| | Coil Inlet | Suction | External Equalizer | Drain | |
| MLD253B | 7/8 OD | 1-3/8 OD | 1/4 OD | 3/4 MPT | 181 |

Design and specifications subject to change without notice

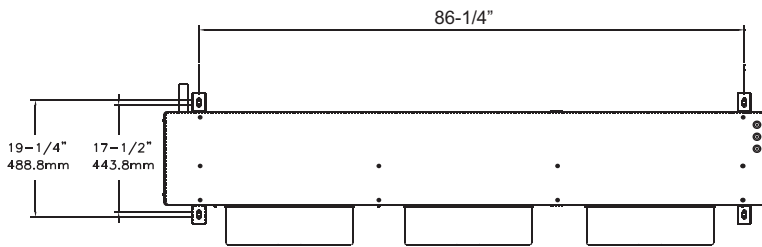
- WARRANTY :
 - 1 Year Compressor Warranty (4 Year extended warranty available)
 - 1 Year Fan Motor and Parts Warranty

PLAN VIEW

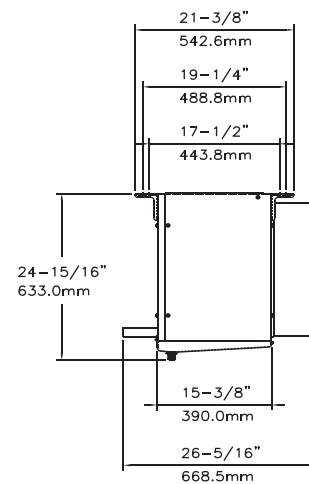
(unit : inch)



FRONT VIEW



TOP VIEW



SIDE VIEW



■ Toll Free : 888-900-1002