

Project :

Model # :

Item # :

Qty :

Approval :

Medium Profile Coil

Model : ADM638A



≡ FEATURES / BENEFITS ≡

■ **Feature**

- More space in the electrical cavity
- Electrical board is now facing forward for easy installation and servicing.
- All wiring (solenoid and motor) is now located in the bottom of the unit for easy access.
- Charge nipple provided for suction pressure measurement.
- Aluminum case are now powder coated for corrosion protection.
- FAN GUIDE GRILL provided for air throw extension.
- Drain pan hinged on rear for easy access and applied double drain pan for thermal efficiency.

■ **Front Access with More Space**

- Design features easy front access to both electrical and refrigeration components.
- More space in the electrical cavity makes the unit easier to service and install.
- Front facing electrical control board.

■ **Wiring**

- Solenoid harness is standard
- Motor and solenoid harnesses are attached to sheet metal panels and are now located at the bottom of the unit for easy access.
- Holes in the bottom of the sheet metal panels for easier wire routing.
- Easy plug connectors for motor harness.

■ **Heaters & Coil**

- Coil heater slots have been enlarged for easier installation and replacement.
- Fixed defrost termination and adjustable defrost cycle on electric defrost.

Medium Profile Coil

Model : ADM638A

ADR Air Defrost Models 60Hz. With PSC Motors.

| ADR Model | Capacity BTUH 10°F TD 25°F SST | Fan Data | | PSC Motor Data 115V 1Ph 60Hz | | |
|-----------|---|-----------------------|-----|---------------------------------|---------------|-------|
| | | CFM/ m ³ H | No. | HP | Total Amps | Watts |
| ADM638A | 63800 | 9350 | 4 | 1/4 | 5.60 | 1200 |

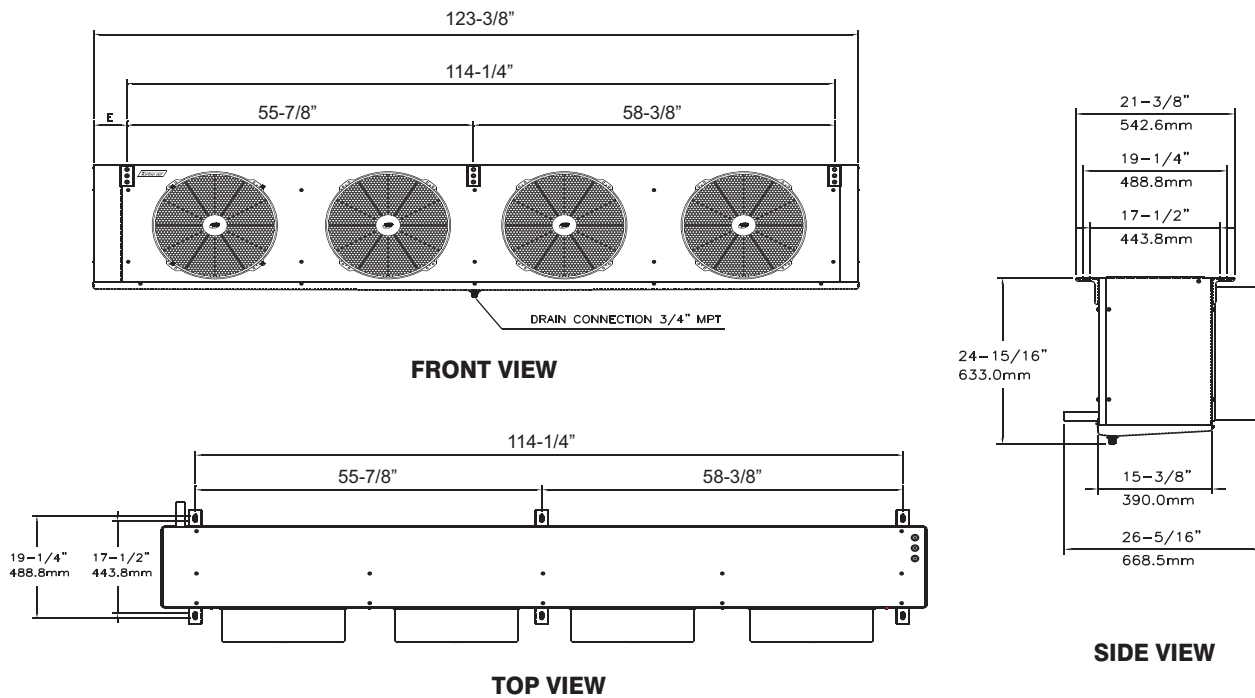
| ADR Model | Connections (Inches) | | | | Approx. Net Wt. Lbs |
|-----------|----------------------|----------|-----------------------|---------|---------------------------|
| | Coil Inlet | Suction | External Equalizer | Drain | |
| ADM638A | 7/8 OD | 1-5/8 OD | 1/4 OD | 3/4 MPT | 258 |

Design and specifications subject to change without notice

- **WARRANTY :** 1 Year Compressor Warranty (4 Year extended warranty available)
- 1 Year Fan Motor and Parts Warranty

PLAN VIEW

(unit : inch)



■ Toll Free : 888-900-1002

REFRIGERATOR MANUFACTURER
Turbo air

GERMAN KNIFE

RADIANCE

GREEN WORLD

AIR CONDITIONER MANUFACTURER
Turbo air