

Turbo air
AIR CONDITIONER MANUFACTURER

4184 E. Conant St.
Long Beach, CA 90808
Tel. 888-900-1002
Fax. 310-900-1088
www.turboairinc.net

Project :

Model # :

Item # :

Qty :

Approval :

Medium Profile Coil

Model : ADM321A



≡ FEATURES / BENEFITS ≡

■ Feature

- More space in the electrical cavity
- Electrical board is now facing forward for easy installation and servicing.
- All wiring (solenoid and motor) is now located in the bottom of the unit for easy access.
- Charge nipple provided for suction pressure measurement.
- Aluminum case are now powder coated for corrosion protection.
- FAN GUIDE GRILL provided for air throw extension.
- Drain pan hinged on rear for easy access and applied double drain pan for thermal efficiency.

■ Front Access with More Space

- Design features easy front access to both electrical and refrigeration components.
- More space in the electrical cavity makes the unit easier to service and install.
- Front facing electrical control board.

■ Wiring

- Solenoid harness is standard
- Motor and solenoid harnesses are attached to sheet metal panels and are now located at the bottom of the unit for easy access.
- Holes in the bottom of the sheet metal panels for easier wire routing.
- Easy plug connectors for motor harness.

■ Heaters & Coil

- Coil heater slots have been enlarged for easier installation and replacement.
- Fixed defrost termination and adjustable defrost cycle on electric defrost.

Medium Profile Coil

Model : ADM321A

ADR Air Defrost Models 60Hz. With PSC Motors.

ADR Model	Capacity BTUH 10°F TD 25°F SST	Fan Data		PSC Motor Data 115V 1Ph 60Hz		
		CFM/ m ³ H	No.	HP	Total Amps	Watts
ADM321A	32100	4670	2	1/4	2.80	600

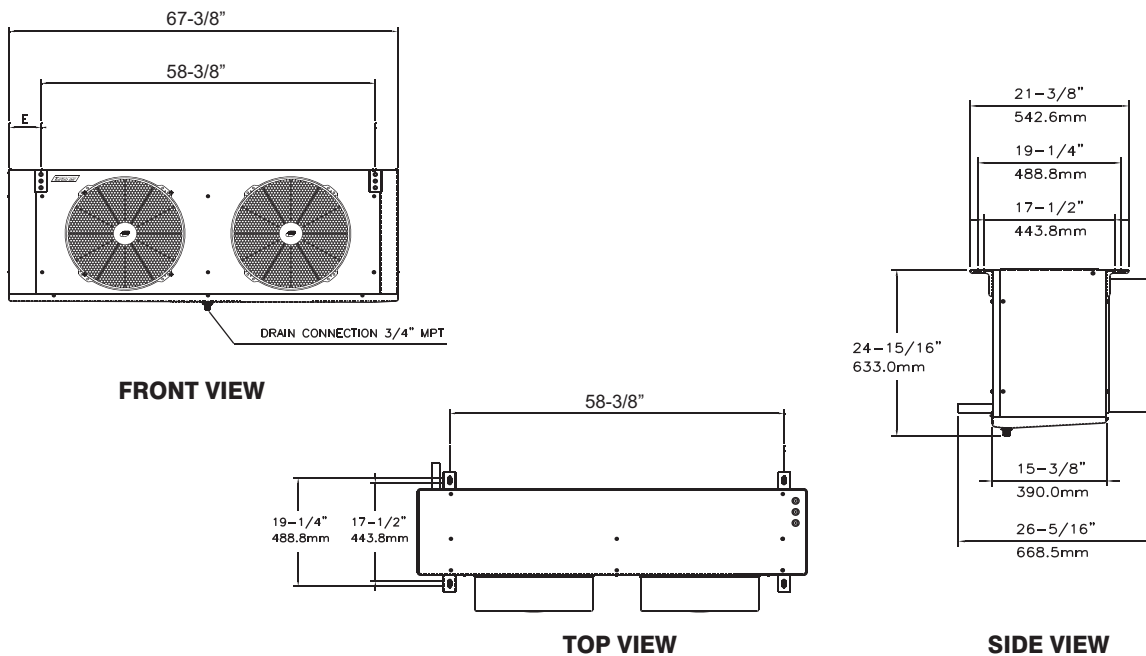
ADR Model	Connections (Inches)				Approx. Net Wt. Lbs
	Coil Inlet	Suction	External Equalizer	Drain	
ADM321A	7/8 OD	1-1/8 OD	1/4 OD	3/4 MPT	139

Design and specifications subject to change without notice

- **WARRANTY :** 1 Year Compressor Warranty (4 Year extended warranty available)
1 Year Fan Motor and Parts Warranty

PLAN VIEW

(unit : inch)



■ Toll Free : 888-900-1002

REFRIGERATOR MANUFACTURER
Turbo air

GERMAN KNIFE

RADIANCE

GREEN WORLD

AIR CONDITIONER MANUFACTURER
Turbo air