

▶ FEATURES

- + Ships with Allergy & Asthma MERV 16 filter
- + Accepts Aprilaire Clean Air MERV 11, Healthy Home MERV 13 or Odor Reduction MERV 13 filter
- + Model 2516 Air Cleaner with a 516 filter features lowest resistance for MERV 16 filter on the market—.10" w.c. @1200 CFM*
- + Minimal maintenance required — simply replace filter every six months
- + Made of corrosion-resistant heavy-gauge painted steel
- + Proprietary door design and Self-Seal™ technology virtually eliminates air bypass, delivering MERV performance as rated
- + UL listed air cleaners, UL classified MERV 16 filters
- + Load rated up to 400 lbs.
- + 5-year warranty on cabinet from date of installation



▶ BENEFITS

- + Captures up to 96%* of airborne particles the size of viruses
- + Removes 99% of allergy and asthma triggers from indoor air
- + Offers equipment protection from dust buildup, reducing profit-robbing callbacks
- + Assured system performance through low static pressure
- + Superior performance over one-inch filters — next to no bypass, longer filter life, traps more particles

*Contaminants remove based on air passing through the filtering system.

PRODUCT SPECIFICATIONS

	Nominal Size (In Inches)	Shipping Weight
Model 2216	20 x 25	20 lbs.
Model 2416	16 x 25	19.25 lbs.
Model 2516	31 x 28	24.9 lbs.

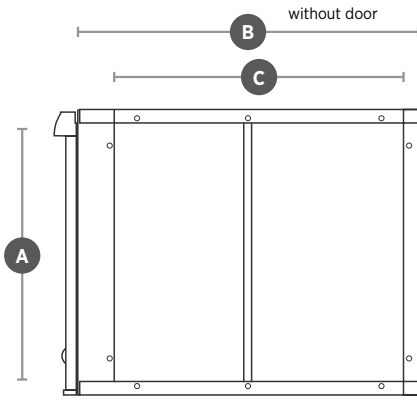
MERV 16		
Replacement filter	Resistance @ Airflow Volume (inches w.c. @CFM)	Filtering Media Area
Model 216	.06"@400	47.8 sq. ft.
	.17"@1000	
	.09"@600	
	.23"@1200	
Model 416	.13"@800	42.3 sq. ft.
	.29"@1400	
	.36"@1600	
	.07"@400	
Model 516	.18"@1000	75.6 sq. ft.
	.10"@600	
	.24"@1200	
	.13"@800	
	.31"@1400	
	.04"@400	
	.15"@1600	
	.05"@600	
	.18"@1800	
	.07"@800	
.21"@2000		
.09"@1000		
.24"@2200		
.10"@1200		
.27"@2400		
.13"@1400		
.31"@2600		

SHIPS WITH

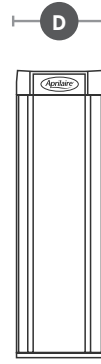
REMOVAL EFFICIENCY (Based on Particle Size)

	0.3-1.0 Microns	1.0-3.0 Microns	3.0-10 Microns
MERV 16	96%	98%	99%

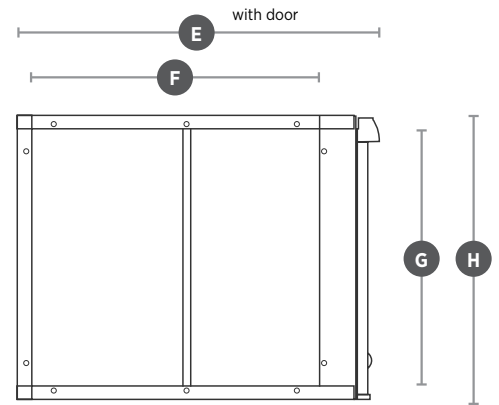
Right Side



Front

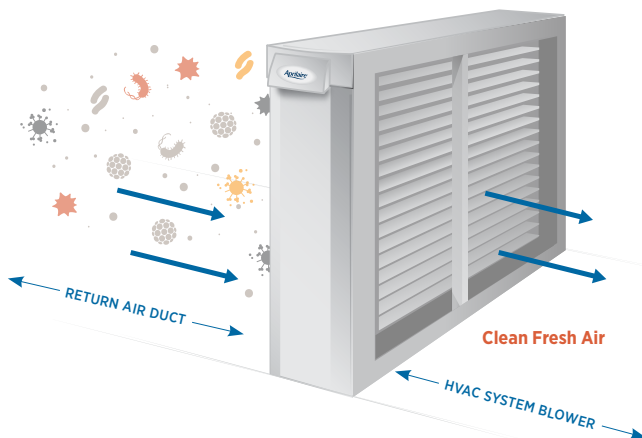


Left Side



Dim.	Description	Model		
		2216	2416	2516
A	Inlet Opening Height	19 3/4" (502mm)	15 7/16" (392mm)	28 3/32" (729mm)
B	Outer Housing Depth without Door	25 3/8" (645mm)	28 1/16" (713mm)	28 1/16" (713mm)
C	Inlet Opening Width	21 3/16" (538mm)	23 7/8" (606mm)	23 7/8" (606mm)
D	Unit Width	6 3/4" (171mm)	6 3/4" (171mm)	6 3/4" (171mm)
E	Outer Housing Depth with Door	27 7/8" (695mm)	30 1/16" (764mm)	30 1/16" (764mm)
F	Outlet Opening Width	21 3/16" (538mm)	23 7/8" (606mm)	23 7/8" (606mm)
G	Outlet Opening Height	19 3/4" (502mm)	15 7/16" (392mm)	28 3/32" (729mm)
H	Unit Height	22 1/16" (560mm)	17 3/4" (451mm)	31" (787mm)

Replacement Filter



GENUINE **Aprilaire**[®]
AIR FILTER

Allergy & Asthma

REMOVES 99% OF ASTHMA TRIGGERS

EFFICIENCY RATING

MERV 16

6-MONTH LIFE

Ships With	Model 2216	Filter Model 216
	Model 2416	Filter Model 416
	Model 2516	Filter Model 516

Same protection is recommended for all HVAC types.
Including downflow, upflow and horizontal configurations.