

▶ FEATURES

- + Ships with Clean Air MERV 11 filter (Model 1510), Allergy & Asthma MERV 16 filter (Model 2516)
- + Can use Healthy Home MERV 13 or Odor Reduction MERV 13 + Carbon filters with simple filter change
- + Minimal maintenance required — simply replace filter annually
- + Model 1510 made of corrosion-resistant heavy gauge galvanized steel. Model 2516 is made of same material with pre-painted cabinet.
- + Proprietary door design and Self-Seal™ media virtually eliminates air bypass, delivering MERV performance as rated
- + UL listed air cleaners, UL classified filters
- + Load rated up to 400 lbs.
- + 5-year warranty on cabinet from date of installation

▶ BENEFITS

- + Eliminates the need for multiple air cleaners on a single system
- + Offers equipment protection from dust buildup, reducing profit-robbing call backs
- + Assured system performance through low static pressure
- + Superior performance over one-inch filters — next to no bypass, longer filter life, traps more particles



Model 1510

Model 2516



PRODUCT SPECIFICATIONS

Models 1510, 2516

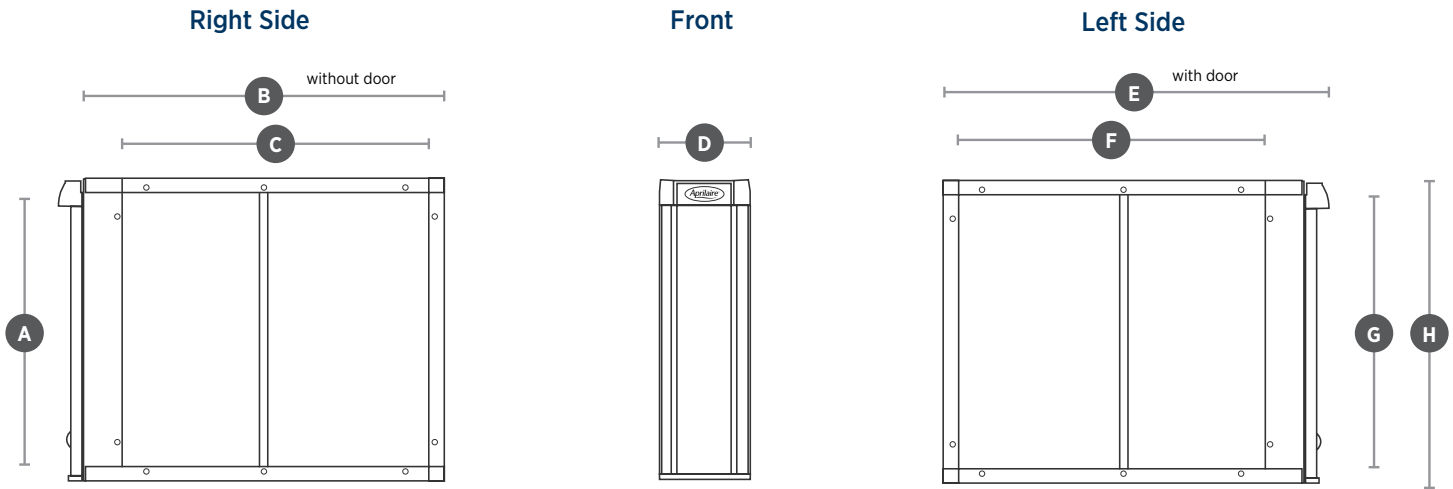
Nominal Size (Inches) 31 x 28

Unit Shipping Weight Model 1510: 23.5 lbs. Model 2516: 25 lbs.

MERV 11				MERV 13				MERV 16			
Replacement Filter	Resistance @ Airflow Volume (Inches w.c. @CFM)	Filter Carton Shipping Weight	Filtering Media Area	Replacement Filter	Resistance @ Airflow Volume (Inches w.c. @CFM)	Filter Carton Shipping Weight	Filtering Media Area	Replacement Filter	Resistance @ Airflow Volume (Inches w.c. @CFM)	Filter Carton Shipping Weight	Filtering Media Area
MODEL 1510 SHIPS WITH Model 510	.04"@1000	37 lbs., 8 filters per carton	45.1 sq. ft.	Model 513	.05"@1000	37 lbs., 8 filters per carton	45.1 sq. ft.	Model 516	.09"@1000	25.1 lbs., 4 filters per carton	75.6 sq. ft.
	.05"@1200				.07"@1200				.10"@1200		
	.06"@1400				.08"@1400				.13"@1400		
	.07"@1600				.10"@1600				.15"@1600		
	.09"@1800				.11"@1800				.18"@1800		
	.10"@2000				.13"@2000				.21"@2000		
	.12"@2200				.15"@2200				.24"@2200		
	.14"@2400				.17"@2400				.27"@2400		
	.15"@2600				.18"@2600				.31"@2600		
	.17"@2800				.20"@2800						
	.19"@3000			.23"@3000							
				.07"@1000	29.3 lbs., 4 filters per carton	45.1 sq. ft.		.08"@1200			
				.08"@1200			.10"@1400				
				.10"@1400			.12"@1600				
				.12"@1600			.15"@1800				
				.15"@1800			.17"@2000				
				.17"@2000			.20"@2200				
				.20"@2200			.22"@2400				
				.25"@2600			.29"@2800				
	.29"@2800	.32"@3000									
	.32"@3000										

REMOVAL EFFICIENCY (Based on Particle Size)

	0.3-1.0 Microns	1.0-3.0 Microns	3.0-10 Microns
MERV 11	37%	67%	92%
MERV 13	63%	88%	93%
MERV 16	95%	98%	99%



Dim.	Description	Models 1510, 2516
A	Inlet Opening Height	28 ²³ / ₃₂ " (729mm)
B	Outer Housing Depth without Door	28 ¹ / ₁₆ " (713mm)
C	Inlet Opening Width	23 ⁷ / ₈ " (606mm)
D	Unit Width	6 ³ / ₄ " (171mm)
E	Outer Housing Depth with Door	30 ¹ / ₁₆ " (764mm)
F	Outlet Opening Width	23 ⁷ / ₈ " (606mm)
G	Outlet Opening Height	28 ²³ / ₃₂ " (729mm)
H	Unit Height	31" (787mm)

Replacement Filters

GENUINE **Aprilaire** AIR FILTER

Clean Air
VACUUM & DUST
LESS OFTEN

EFFICIENCY RATING
MERV 11
1-YEAR LIFE

STOCK NO.
510
Fits Aprilaire Purifier Models:
1510 | 2516

Model 510 | MERV 11 PERFORMANCE

GENUINE **Aprilaire** AIR FILTER

Healthy Home
REMOVES MOST
COMMON ALLERGENS

EFFICIENCY RATING
MERV 13
1-YEAR LIFE

STOCK NO.
513
Fits Aprilaire Purifier Models:
1510 | 2516

Model 513 | MERV 13 PERFORMANCE

GENUINE **Aprilaire** AIR FILTER

Odor Reduction
REMOVES PET &
COOKING ODORS

MANUFACTURED CARBON
EFFICIENCY RATING
MERV 13
6-MONTH LIFE

STOCK NO.
513 CBN
ODOR
Fits Aprilaire Purifier Models:
1510 | 2516

Model 513CBN | MERV 13 + CARBON PERFORMANCE

GENUINE **Aprilaire** AIR FILTER

Allergy & Asthma
REMOVES **99%**
OF ASTHMA TRIGGERS

EFFICIENCY RATING
MERV 16
6-MONTH LIFE

STOCK NO.
516
Fits Aprilaire Purifier Models:
1510 | 2516

Model 516 | MERV 16 PERFORMANCE