

PRODUCT INFORMATION PACKET



Model No: RAL1024

Catalog No: RAL1024

1/4 HP Fan Coil / Room Air Conditioner Motor, 1625 RPM, 3 Speed, 115 Volts, 48 Frame, Semi Enclosed
Fan Coil / Room Air Conditioner Motors



Regal and Century are trademarks of Regal Beloit Corporation or one of its affiliated companies.
©2020 Regal Beloit Corporation, All Rights Reserved. MC017097E

The REGAL logo is a grey rectangular box with the word 'REGAL' in white, bold, uppercase letters. It is positioned on a blue, vertically-oriented decorative bar that has a halftone dot pattern.



Nameplate Specifications

Output HP	1/4 Hp	Output KW	0.19 kW
Frequency	60 Hz	Voltage	115 V
Current	3.4 A	Speed	1625 rpm
Service Factor	1	Phase	1
Duty	Air Over	Insulation Class	A
Frame	48Y	Enclosure	Semi Enclosed
Thermal Protection	Automatic	Ambient Temperature	40 °C
UL	Recognized	CSA	Y
CE	N		

Technical Specifications

Electrical Type	Permanent Split Capacitor	Starting Method	Across The Line
Poles	4	Rotation	Counterclockwise Lead End
Mounting	Resilient Ring/Extended Studs	Motor Orientation	Horizontal
Drive End Bearing	Sleeve	Opp Drive End Bearing	Sleeve
Frame Material	Rolled Steel	Shaft Type	Flat
Overall Length	20.00 in	Frame Length	3.75 in
Shaft Diameter	0.500 in	Shaft Extension	7.6 X .5 X 8.0 in
Connection Drawing	614131-106	Outline Drawing	11773-016-S01

This is an uncontrolled document once printed or downloaded and is subject to change without notice. Date Created:22/09/2020

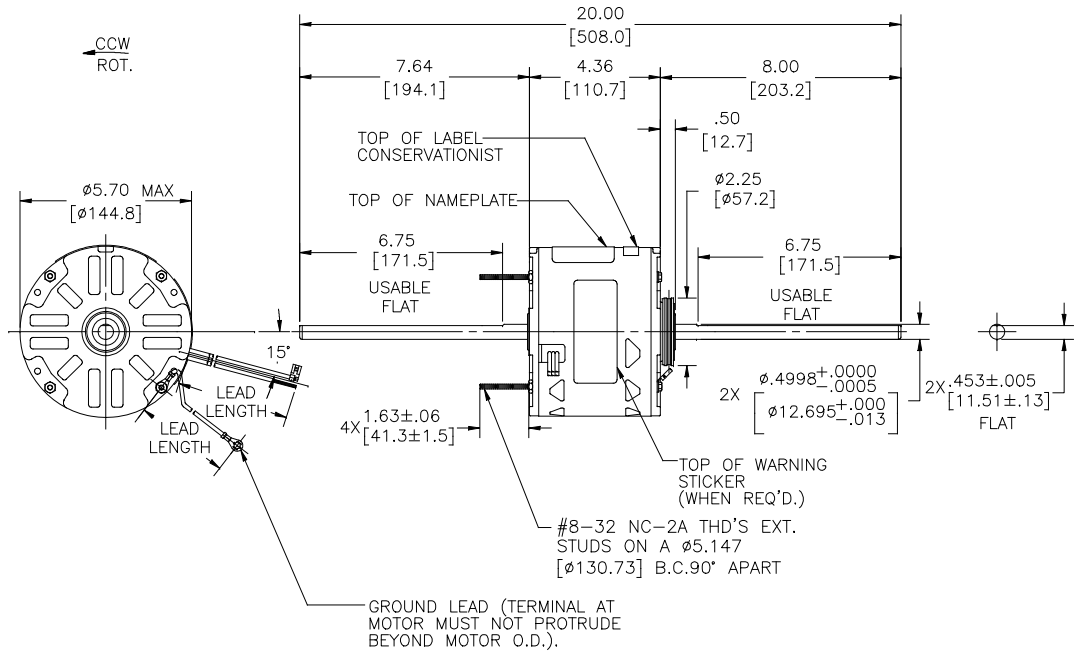
GENERAL INFORMATION:

SHAFT RUNOUT: .001 [.03] T.I.R. PER INCH LENGTH OF EXTENSION
 END PLAY: .010 TO .063 [.25 TO 1.60]
 BEARINGS: SLEEVE
 MOUNTING POSITION: HORIZONTAL

ELECTRICAL DATA:

OVERLOAD PROTECTOR: AUTOMATIC RESET (T.I. 7AM 032)
 LEADS: NO. 18 GA., .06 [1.5] THK. 105°C PVC INSUL.
 GROUND LEAD: NO. 18 GA., .03 [.8] THK. (GREEN) INSUL.

NOTES:
 1. DISTRIBUTION: CUST. P/N: RAL1024
 GRAINGER: CUST. P/N: 4MA99



NOTE:
 1.615059-001 RESILIENT MOUNTING KIT
 TO BE PACKED WITH MOTOR

SEE NOTE 1

NAMEPLATE DATA:		EXTERNAL CONNECTION DIAGRAM		
MODEL NO.: F48SG4L6B1	CUST. P/N: []			
HP: 1/4	ROT.: CCWLE	614131-106		
RPM: 1625/3 SPD	TYPE: UF			
FRAME: 48Y	VOLTS: 115			
PH: 1	AMPS: 3.4(5.0 MAX)			
HZ: 60	INS.: A			
AMB.: 40°C	DUTY: AIR OVER			
CAP.: 5 MFD/370 V	ENCL: SEMI-ENCL			
CSA LOGO	UL LOGO			
THERMALLY PROTECTED				
PERFORMANCE CURVE NO.	TORQUE @ 1625 RPM (25°C)	APPROVED SAMPLE	UL COMPONENT	CSA
C23744	18.5 OZ. FT.	EX11272-1	E46412 PRGY2	LR43341 260-0-0

GREEN(GRD)	29.0/31.0 [737/787]	#10 EYELET
BROWN/WHITE	35.0/37.0 [889/940]	.25 [6.4] FLAG
BROWN	35.0/37.0 [889/940]	.25 [6.4] FLAG
WHITE	35.0/37.0 [889/940]	.60 [15.2] SKIN
BLACK	35.0/37.0 [889/940]	.60 [15.2] SKIN
BLUE	35.0/37.0 [889/940]	.60 [15.2] SKIN
RED	35.0/37.0 [889/940]	.60 [15.2] SKIN
COLOR	LENGTH	TERMINAL OR STRIP LENGTH

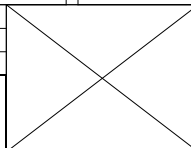
REGAL-BELOIT CORPORATION (RBC) PROVIDES TECHNICAL ASSISTANCE TO OUR CUSTOMERS IN SEVERAL AREAS. SINCE RBC DOES NOT RECEIVE ALL DATA CONCERNING THE USE AND APPLICATION OF THE MOTOR, THE SUITABILITY OF THE MOTOR FOR THE APPLICATION MUST BE DETERMINED BY THE CUSTOMER.

DIMENSIONS WITHOUT TOLERANCES ARE FOR REFERENCE ONLY.

MAIN FRAME -- OLE	SEMI-ENCLOSED
END FRAME -- OLE	OPEN
MAIN FRAME -- LE	SEMI-ENCLOSED
END FRAME -- LE	OPEN

CUSTOMER	DISTRIBUTION SERVICE

LEAD DATA		
DRAWING REVISION	REVISION BY	DATE
F	JERRY.CHAI	08-14-2018
ECO	JERRY.CHAI	08-14-2018
ECO-0150517	JERRY.CHAI	08-14-2018
ECO DESCRIPTION	SEE ECO	



DRAWN BY: ANDERSON	DATE: 01-25-1993	Regal Beloit America, Inc.
APPROVED BY: T.RILEY	DATE: 08-23-1994	
REFERENCE:	ENCLOSURE	DESCRIPTION: OUTLINE MOTOR
THIRD ANGLE PROJECTION	SIZE DWG NO: C	PROCESS/FINISH
	11773-016	SHEET 1

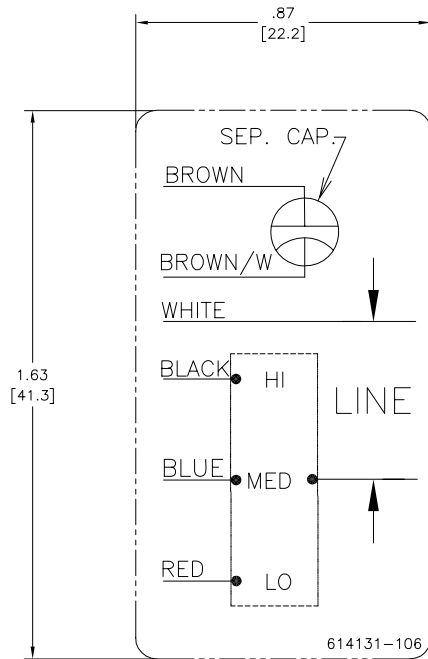
4

3

2

1

REV	ECO	REV BY	DATE	APPD	DATE
C	0019808	PZ	04-12-2011	Tiger.Wang	04-12-2011



NOTES:

1. FOR USE WITH 614129 OR 2513020-001 NAMEPLATE BLANKS
2. _____ INDICATES DIMENSION LIMITS

GEOMETRIC CHARACTERISTICS & SYMBOLS	
	FLATNESS
	STRAIGHTNESS
	ANGULARITY
	PERPENDICULARITY (SQUARENESS)
	PARALLELISM
	ROUNDNESS (CIRCULARITY)
	CYLINDRICITY
	PROFILE OF ANY SURFACE
	PROFILE OF ANY LINE
	RUNOUT
	TRUE POSITION
	CONCENTRICITY
	SYMMETRY

UNLESS OTHERWISE SPECIFIED DIM. TOLERANCES ARE AS FOLLOWS:	
INCH	±.1 .XX .XXX .XXXX
mm	±0.5 ±0.13 ±0.013
ANG. ±.50 DEG	
REMOVE BURRS & BREAK SHARP EDGES:	
INCH	.003-015
mm	0.1-0.4
CORNER FILLETS TO:	
INCH	.020
mm	0.5
MACHINE SURFACES:	
INCH	125
mm	3.2
METRIC DIMS. SHOWN IN [BRACKETS]	

DR BY:	PZ	04-12-2011
APPD:	Tiger.Wang	04-12-2011
THIRD ANGLE PROJECTION		EDS DATE 02-22-2011 FORMAT REV F
CONFIDENTIAL: THIS DRAWING AND ITS INFORMATION ARE THE EXCLUSIVE AND CONFIDENTIAL PROPERTY OF A.O. SMITH CORP. AND ARE NOT TO BE DISCLOSED, DUPLICATED, DISTRIBUTED OR OTHERWISE USED WITHOUT THE WRITTEN CONSENT OF A.O. SMITH CORP. -ALL RIGHTS RESERVED. ASME Y14.5M 1994		

	ELECTRICAL PRODUCTS COMPANY A DIVISION OF A.O. SMITH CORPORATION
DESCRIPTION CONN DIAGRAM-NAMEPLATE	
SIZE C	DWG NO 614131-106
SCALE NONE	SHEET 1

4

3

2

1

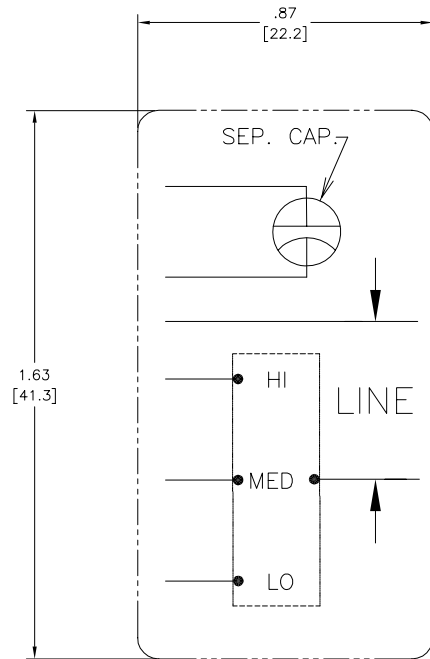
4

3

2

1

REVISION:	ECO	REVISADO POR:	FECHA:	APROBADO POR:	FECHA:
C	0019808	PZ	04-12-2011	Tiger.Wang	04-12-2011



CARACTERISTICAS DE GEOMETRIA Y SIMBOLOS ▽ PLANICIDAD — RECTITUD ∠ ANGULARIDAD ⊥ PERPENDICULARIDAD (A ESQUADRA) // PARALELISMO ○ REDONDEZ (CIRCULARIDAD) ⌀ CILINDRICIDAD ⊖ PERFIL DE CUALQUIER SUPERFICIE ∩ PERFIL DE CUALQUIER LINEA † VARIACION ⊕ POSICION REAL ⊙ CONCENTRICIDAD ≡ SIMETRIA	A MENOS QUE SE ESPECIFIQUE DE OTRA MANERA, LAS TOLERANCIAS DE LAS DIMS. SON LAS SIGUIENTES: PULG ±.1 ±.02 ±.005 ±.0005 mm ±0.5 ±0.13 ±0.013 ANG. ±50 GRADOS ELIMINAR REBABAS Y ORILLAS FILOSAS DEL BORDE. PULG .003-.015 mm 0.1-0.4 FILETEAR ESQUINA: PULG .020 mm 0.5 MAQUINAR SUPERFICIES PULG 125 mm 3.2 DIMS METRICAS MOSTRADAS [PARENTESIS]	DIBUJADO POR: PZ	04-12-2011		
		APROBADO POR: Tiger.Wang	04-12-2011		DESCRIPCION:
TERCER ANGULO DE PROYECCION		FECHA EDS: 02-22-2011	REV. FORMATO: F	TAMAÑO: C	NUMERO DE DIBUJO: 614131-106
CONFIDENCIAL: ESTE DIBUJO Y SU INFORMACION SON PROPIEDAD DE USO EXCLUSIVO Y CONFIDENCIAL DE A.O.SMITH CORP. Y NO DEBERAN SER REVELADOS, DUPLICADOS, DISTRIBUIDOS O USARSE DE OTRA MANERA SIN EL CONSENTIMIENTO ESCRITO DE A.O. SMITH CORP. -TODOS LOS DERECHOS RESERVADOS.ASME Y14.5M 1994		ESCALA: NONE	HOJA: 1		

4

3

2

1

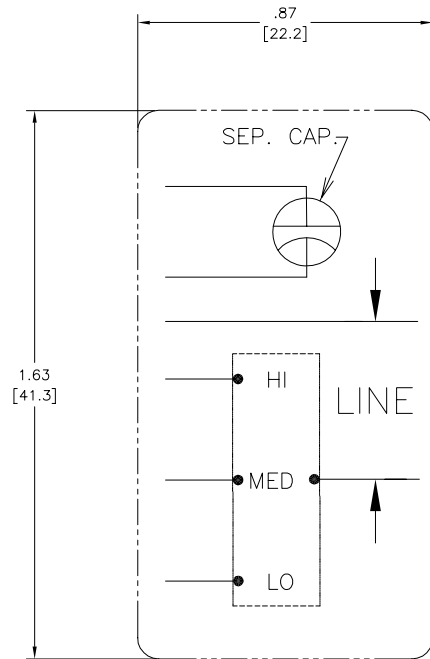
4

3

2

1

版本	ECO	编制	日期	批准	日期
C	0019808	PZ	04-12-2011	Tiger.Wang	04-12-2011



形位公差 □ 平面度 — 直线度 ∠ 倾斜度 ⊥ 垂直度 // 平行度 ○ 圆度 ⊙ 圆跳动 Ⓜ 面轮廓度 Ⓡ 线轮廓度 Ⓢ 圆跳动 Ⓣ 位置度 Ⓤ 同轴度 ≡ 对称度	除另有注明 尺寸公差如下： 英寸 X XX XXX XXXX 毫米 ±.1 ±.02 ±.005 ±.0005 角度 ±.50 度 清理毛刺和尖棱 英寸 .003-.015 毫米 0.1-0.4 内圆角 英寸 .020 毫米 0.5 表面粗糙度 英制 125 米制 3.2 米制尺寸显示在 []	绘图: PZ 批准: Tiger.Wang 第三角投影	04-12-2011 04-12-2011 图纸格式发布日期 02-22-2011 图纸格式版本 F	AC Smith Innovation has a name. ELECTRICAL PRODUCTS COMPANY A DIVISION OF A. O. SMITH CORPORATION
		图名: 名称 图幅: C 图号: 614131-106 比例: NONE	图幅: 1 图号: 1	

4

3

2

1

ASME Y14.5M 1994