

PRODUCT INFORMATION PACKET



Model No: RAL1006

Catalog No: RAL1006

1/8 HP Fan Coil / Room Air Conditioner Motor, 1075 RPM, 3 Speed, 115 Volts, 48 Frame, Semi Enclosed
Fan Coil / Room Air Conditioner Motors



Regal and Century are trademarks of Regal Beloit Corporation or one of its affiliated companies.
©2020 Regal Beloit Corporation, All Rights Reserved. MC017097E

The REGAL logo consists of the word 'REGAL' in a bold, white, sans-serif font, set within a dark grey, trapezoidal shape that tapers to the right. This logo is positioned on a vertical blue gradient bar that runs down the right side of the page.

REGAL



Nameplate Specifications

Output HP	1/8 Hp	Output KW	0.10 kW
Frequency	60 Hz	Voltage	115 V
Current	2.0 A	Speed	1075 rpm
Service Factor	1	Phase	1
Duty	Air Over	Insulation Class	A
Frame	48Y	Enclosure	Semi Enclosed
Thermal Protection	Automatic	Ambient Temperature	60 °C
UL	Recognized	CSA	Y
CE	N		

Technical Specifications

Electrical Type	Permanent Split Capacitor	Starting Method	Across The Line
Poles	6	Rotation	Counterclockwise Lead End
Mounting	Resilient Ring/Extended Studs	Motor Orientation	Horizontal
Drive End Bearing	Sleeve	Opp Drive End Bearing	Sleeve
Frame Material	Rolled Steel	Shaft Type	Flat
Overall Length	20.00 in	Frame Length	3.13 in
Shaft Diameter	0.500 in	Shaft Extension	8.3X.5X8.0 in
Connection Drawing	614131-106	Outline Drawing	11773-037-S01

This is an uncontrolled document once printed or downloaded and is subject to change without notice. Date Created:22/09/2020

REV	ECO	REV BY	DATE	APPD	DATE
D	0025578	F.NAVARRO	05-03-2012	R.RASCON	05-03-2012

GENERAL INFORMATION:

SHAFT RUNOUT: .001 [.03] T.I.R. PER INCH LENGTH OF EXTENSION

END PLAY: .010[.25] TO .063[1.60]

BEARINGS: SLEEVE

MOUNTING POSITION: HORIZONTAL

ELECTRICAL DATA:

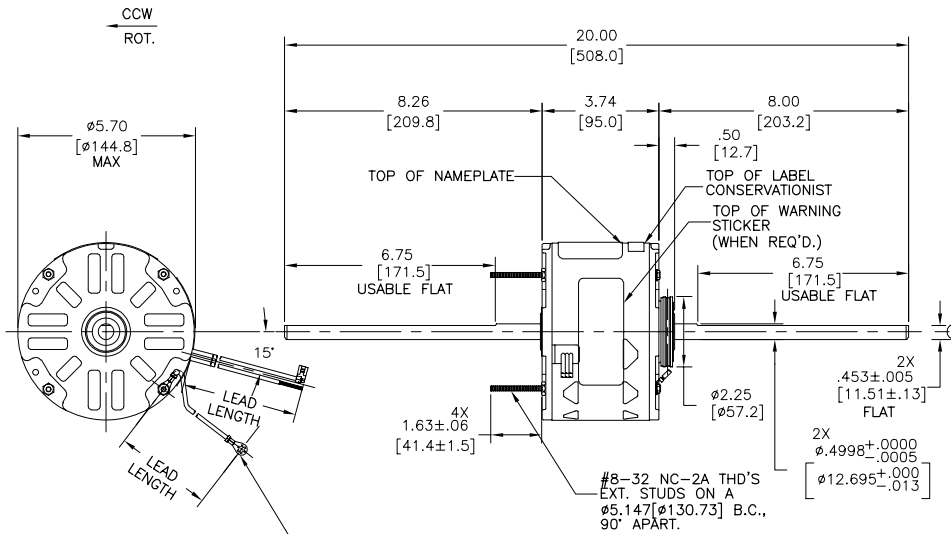
OVERLOAD PROTECTOR: AUTOMATIC RESET (T.I. 7AM 032)

LEADS: NO. 18 GA., .06 [1.5] THK., PVC 105°C INSUL.

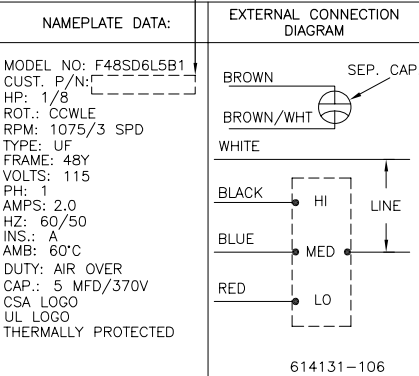
GROUND LEAD: NO. 18 GA., .03 [.8] THK., (GREEN) INSUL.

- NOTE:
 1. 615059-001 RESILENT MOUNTING KIT TO BE PACKED WITH MOTOR
 2. DISTRIBUTION: CUST. P/N: RAL1006
 GRAINGER: CUST. P/N: 4MA51

SEE NOTE 2



GROUND LEAD (TERMINAL AT MOTOR MUST NOT PROTRUDE BEYOND MOTOR O.D.).



GREEN(GRD)	29/31 [737/787]	#10 EYELET
BROWN/WHITE	35/37 [889/940]	.25[6.4] FLAG
BROWN	35/37 [889/940]	.25[6.4] FLAG
WHITE	35/37 [889/940]	.60[15.2] SKIN
BLACK	35/37 [889/940]	.60[15.2] SKIN
BLUE	35/37 [889/940]	.60[15.2] SKIN
RED	35/37 [889/940]	.60[15.2] SKIN

PERFORMANCE CURVE NO.	TORQUE @ 1100 RPM (25°C)	APPROVED SAMPLE	UL COMPONENT	CSA
C23652	10.0 OZ. FT.	EX11278	E46412 PRGY2	LR43341 260-Ø-0

COLOR	LENGTH	TERMINAL OR STRIP LENGTH
GREEN(GRD)	29/31 [737/787]	#10 EYELET
BROWN/WHITE	35/37 [889/940]	.25[6.4] FLAG
BROWN	35/37 [889/940]	.25[6.4] FLAG
WHITE	35/37 [889/940]	.60[15.2] SKIN
BLACK	35/37 [889/940]	.60[15.2] SKIN
BLUE	35/37 [889/940]	.60[15.2] SKIN
RED	35/37 [889/940]	.60[15.2] SKIN

MAIN FR. - OLE	SEMI-ENCLOSED
END FR. - OLE	OPEN
MAIN FR. - LE	SEMI-ENCLOSED
END FR. - LE	OPEN

CUST	DISTRIBUTION SERVICES
------	-----------------------

GEOMETRIC CHARACTERISTICS & SYMBOLS	
∥	FLATNESS
-	STRAIGHTNESS
∠	ANGULARITY
⊥	PERPENDICULARITY (SQUARENESS)
∥	PARALLELISM
○	ROUNDNESS (CIRCULARITY)
⊘	CYLINDRICITY
△	PROFILE OF ANY SURFACE
∇	PROFILE OF ANY LINE
∩	RUNOUT
⊕	TRUE POSITION
⊙	CONCENTRICITY
≡	SYMMETRY
ASME Y14.5M 1994	

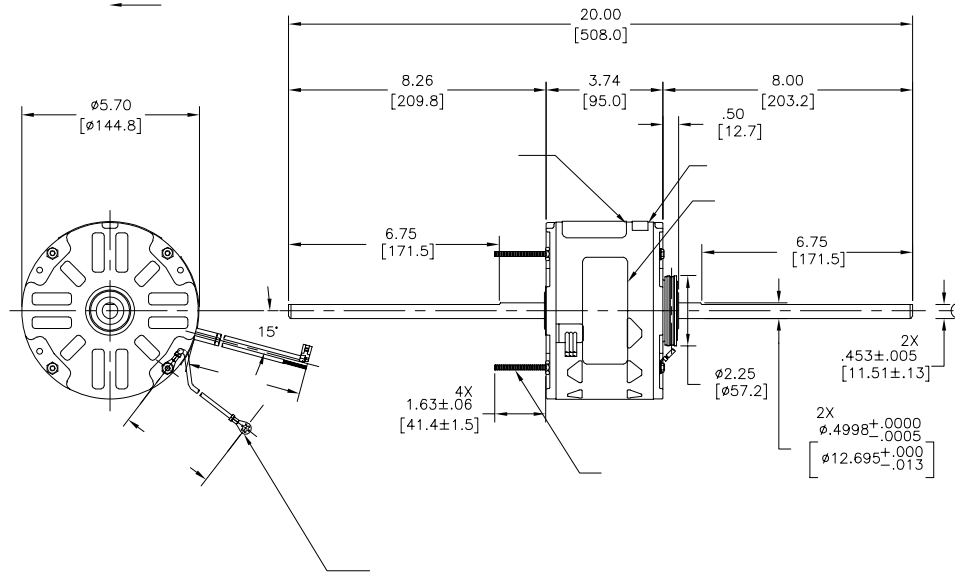
REGAL-BELOIT CORPORATION (RBC) PROVIDES TECHNICAL ASSISTANCE TO OUR CUSTOMERS IN SEVERAL AREAS. SINCE RBC DOES NOT RECEIVE ALL DATA CONCERNING THE USE AND APPLICATION OF THE MOTOR, THE SUITABILITY OF THE MOTOR FOR THE APPLICATION MUST BE DETERMINED BY THE CUSTOMER.
 DIMENSIONS WITHOUT TOLERANCES ARE FOR REFERENCE ONLY.

DR BY:	HEINRICHS	08-09-1995
APPD:	D.CORB	08-31-1995
THIRD ANGLE PROJECTION	EDS DATE	11-11-2011
	FORMAT REV	G

CONFIDENTIAL: THIS DRAWING AND ITS INFORMATION ARE THE EXCLUSIVE AND CONFIDENTIAL PROPERTY OF REGAL-BELOIT CORPORATION AND ARE NOT TO BE DISCLOSED, DUPLICATED, DISTRIBUTED OR OTHERWISE USED WITHOUT THE WRITTEN CONSENT OF REGAL-BELOIT CORPORATION. -ALL RIGHTS RESERVED.

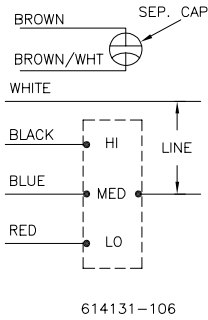
DESCRIPTION	
MODEL-RFHP-48FR OUTLINE	
SIZE	DWG NO
C	11773-037
SCALE	SHEET
NONE	1

REVISION:	ECO	REVISADO POR:	FECHA:	APROBADO POR:	FECHA:
D	0025578	F.NAVARRO	05-03-2012	R.RASCON	05-03-2012



VER NOTA

MODEL NO: F48SD6L5B1
 CUST. P/N: []
 HP: 1/8
 ROT.: CCWLE
 RPM: 1075/3 SPD
 TYPE: UF
 FRAME: 48Y
 VOLTS: 115
 PH: 1
 AMPS: 2.0
 HZ: 60/50
 INS.: A
 AMB: 60°C
 DUTY: AIR OVER
 CAP.: 5 MFD/370V
 CSA LOGO
 UL LOGO
 THERMALLY PROTECTED



614131-106

	29/31	
	[737/787]	
	35/37	.25[6.4]
	[889/940]	
	35/37	.25[6.4]
	[889/940]	
	35/37	.60[15.2]
	[889/940]	
	35/37	.60[15.2]
	[889/940]	
	35/37	.60[15.2]
	[889/940]	

CSA					
C23652	10.0 OZ. FT.	EX11278	E46412	PRGY2	LR43341 260-ø-0

DISTRIBUTION SERVICES

CARACTERÍSTICAS DE GEOMETRIA Y SIMBOLOS
 / PLANICIDAD
 - RECTITUD
 < ANGULARIDAD
 ⊥ PERPENDICULARIDAD (A ESCUADRA)
 // PARALELISMO
 ○ REDONDEZ (CIRCULARIDAD)
 # CILINDRICIDAD
 ⊖ PERFIL DE CUALQUIER SUPERFICIE
 ⊕ PERFIL DE CUALQUIER LINEA
 / VARIACION
 ⊕ POSICION REAL
 ⊙ CONCENTRICIDAD
 = SIMETRIA
 ASME Y14.5M 1994

REGAL-BELOIT CORPORATION (RBC) PROVEE ASISTENCIA TECNICA A NUESTROS CLIENTES EN VARIAS AREAS DESDE QUE RBC NO RECIBE TODOS LOS DATOS EN RELACION AL USO Y LA APLICACION DEL MOTOR. LA APLICACION ADECUADA DEL MOTOR DEBE SER DETERMINADA POR EL CLIENTE.

DIMENSIONES SIN TOLERANCIA SON DE REFERENCIA SOLAMENTE

DIBUJADO POR: HEINRICHS 08-09-1995
 APROBADO POR: D.CORB 08-31-1995
 TERCER ANGULO DE PROYECCION
 FECHA EDS: 11-11-2011
 REV. FORMATO: G
 CONFIDENCIAL: ESTE DIBUJO Y SU INFORMACION SON PROPIEDAD DE USO EXCLUSIVO Y CONFIDENCIAL DE REGAL-BELOIT CORPORATION. Y NO DEBERAN SER REVELADOS, DUPLICADOS, DISTRIBUIDOS O USARSE DE OTRA MANERA SIN EL CONSENTIMIENTO ESCRITO DE REGAL-BELOIT CORPORATION. -TODOS LOS DERECHOS RESERVADOS.



DESCRIPCION: MODEL-RFHP-48FR OUTLINE
 TAMAÑO: C NUMERO DE DIBUJO: 11773-037
 ESCALA: NONE HOJA: 1

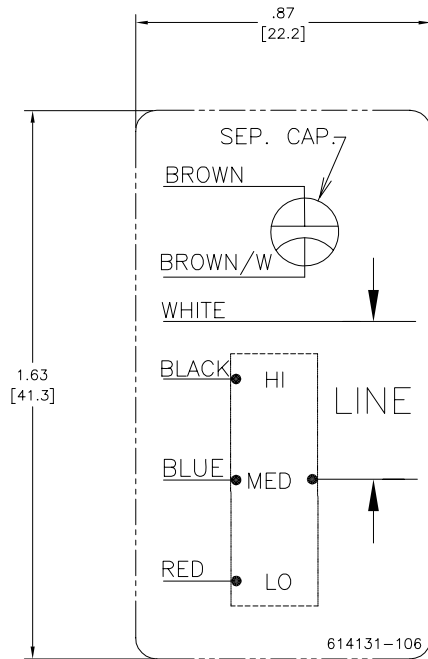
4

3

2

1

REV	ECO	REV BY	DATE	APPD	DATE
C	0019808	PZ	04-12-2011	Tiger.Wang	04-12-2011



NOTES:

1. FOR USE WITH 614129 OR 2513020-001 NAMEPLATE BLANKS
2. _____ INDICATES DIMENSION LIMITS

GEOMETRIC CHARACTERISTICS & SYMBOLS	
	FLATNESS
	STRAIGHTNESS
	ANGULARITY
	PERPENDICULARITY (SQUARENESS)
	PARALLELISM
	ROUNDNESS (CIRCULARITY)
	CYLINDRICITY
	PROFILE OF ANY SURFACE
	PROFILE OF ANY LINE
	RUNOUT
	TRUE POSITION
	CONCENTRICITY
	SYMMETRY

UNLESS OTHERWISE SPECIFIED DIM. TOLERANCES ARE AS FOLLOWS:	
INCH	$\pm .1$ $\pm .02$ $\pm .005$ $\pm .0005$
mm	± 0.5 ± 0.13 ± 0.013
ANG. $\pm .50$ DEG	
REMOVE BURRS & BREAK SHARP EDGES:	
INCH	$.003$ - $.015$ mm 0.1 - 0.4
CORNER FILLETS TO:	
INCH	$.020$ mm 0.5
MACHINE SURFACES:	
INCH	125 mm 3.2
METRIC DIMS. SHOWN IN [BRACKETS]	

DR BY:	PZ	04-12-2011
APPD:	Tiger.Wang	04-12-2011
THIRD ANGLE PROJECTION		EDS DATE 02-22-2011 FORMAT REV F
CONFIDENTIAL: THIS DRAWING AND ITS INFORMATION ARE THE EXCLUSIVE AND CONFIDENTIAL PROPERTY OF A.O. SMITH CORP. AND ARE NOT TO BE DISCLOSED, DUPLICATED, DISTRIBUTED OR OTHERWISE USED WITHOUT THE WRITTEN CONSENT OF A.O. SMITH CORP. -ALL RIGHTS RESERVED. ASME Y14.5M 1994		

	ELECTRICAL PRODUCTS COMPANY A DIVISION OF A.O. SMITH CORPORATION
DESCRIPTION CONN DIAGRAM-NAMEPLATE	
SIZE C	DWG NO 614131-106
SCALE NONE	SHEET 1

4

3

2

1

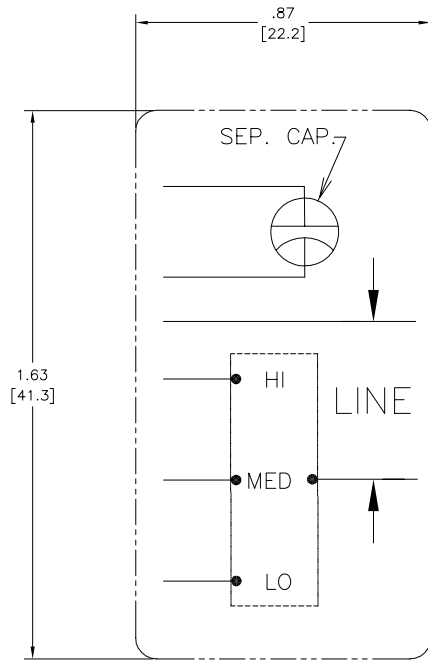
4

3

2

1

REVISION:	ECO	REVISADO POR:	FECHA:	APROBADO POR:	FECHA:
C	0019808	PZ	04-12-2011	Tiger.Wang	04-12-2011



CARACTERISTICAS DE GEOMETRIA Y SIMBOLOS ▽ PLANICIDAD — RECTITUD ∠ ANGULARIDAD ⊥ PERPENDICULARIDAD (A ESQUADRA) // PARALELISMO ○ REDONDEZ (CIRCULARIDAD) ⦶ CILINDRICIDAD ⊖ PERFIL DE CUALQUIER SUPERFICIE ∩ PERFIL DE CUALQUIER LINEA † VARIACION ⊕ POSICION REAL ⊙ CONCENTRICIDAD ≡ SIMETRIA	A MENOS QUE SE ESPECIFIQUE DE OTRA MANERA, LAS TOLERANCIAS DE LAS DIMS. SON LAS SIGUIENTES: PULG ±.1 ±.02 ±.005 ±.0005 mm ±0.5 ±0.13 ±0.013 ANG. ±50 GRADOS ELIMINAR REBABAS Y ORILLAS FILOSAS DEL BORDE. PULG .003-.015 mm 0.1-0.4 FILETEAR ESQUINA: PULG .020 mm 0.5 MAQUINAR SUPERFICIES PULG 125 mm 3.2 DIMS METRICAS MOSTRADAS [PARENTESIS]	DIBUJADO POR: PZ	04-12-2011	ELECTRICAL PRODUCTS COMPANY A DIVISION OF A.O. SMITH CORPORATION
		APROBADO POR: Tiger.Wang	04-12-2011	
		TERCER ANGULO DE PROYECCION	FECHA EDS: 02-22-2011 REV. FORMATO: F	
		CONFIDENCIAL: ESTE DIBUJO Y SU INFORMACION SON PROPIEDAD DE USO EXCLUSIVO Y CONFIDENCIAL DE A.O.SMITH CORP. Y NO DEBERAN SER REVELADOS. DUPLICADOS, DISTRIBUIDOS O USARSE DE OTRA MANERA SIN EL CONSENTIMIENTO ESCRITO DE A.O. SMITH CORP. -TODOS LOS DERECHOS RESERVADOS.ASME Y14.5M 1994		TAMANO: C NUMERO DE DIBUJO: 614131-106
		ESCALA: NONE		HOJA: 1

4

3

2

1

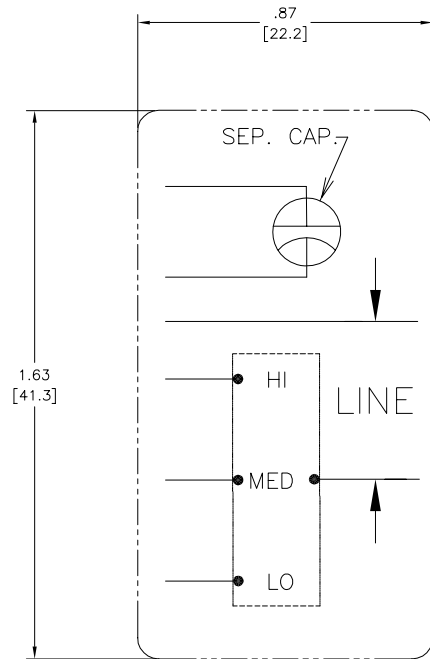
4

3

2

1

版本	ECO	编制	日期	批准	日期
C	0019808	PZ	04-12-2011	Tiger.Wang	04-12-2011



形位公差 □ 平面度 — 直线度 ∠ 倾斜度 ⊥ 垂直度 // 平行度 ○ 圆度 ⊙ 圆跳动 Ⓜ 面轮廓度 Ⓝ 线轮廓度 Ⓢ 圆跳动 Ⓣ 位置度 Ⓤ 同轴度 ≡ 对称度	除另有注明 尺寸公差如下: 英寸 X XX XXX XXXX 毫米 ±.1 ±.02 ±.005 ±.0005 角度 ±.50 度 清理毛刺和尖棱 英寸 .003-.015 毫米 0.1-0.4 内圆角 英寸 .020 毫米 0.5 表面粗糙度 英制 125 米制 3.2 米制尺寸显示在 []	绘图: PZ 批准: Tiger.Wang 第三角投影	04-12-2011 04-12-2011 图纸格式发布日期 02-22-2011 图纸格式版本 F	AC Smith Innovation has a name. ELECTRICAL PRODUCTS COMPANY A DIVISION OF A. O. SMITH CORPORATION
		图名: 名称 图幅: C 图号: 614131-106 比例: NONE	图幅: 1 图号: 1	

4

3

2

1

ASME Y14.5M 1994