

GENERAL INFORMATION:

SHAFT RUNOUT: .001 [.025] T.I.R. PER INCH LENGTH OF EXTENSION

BEARINGS: BALL

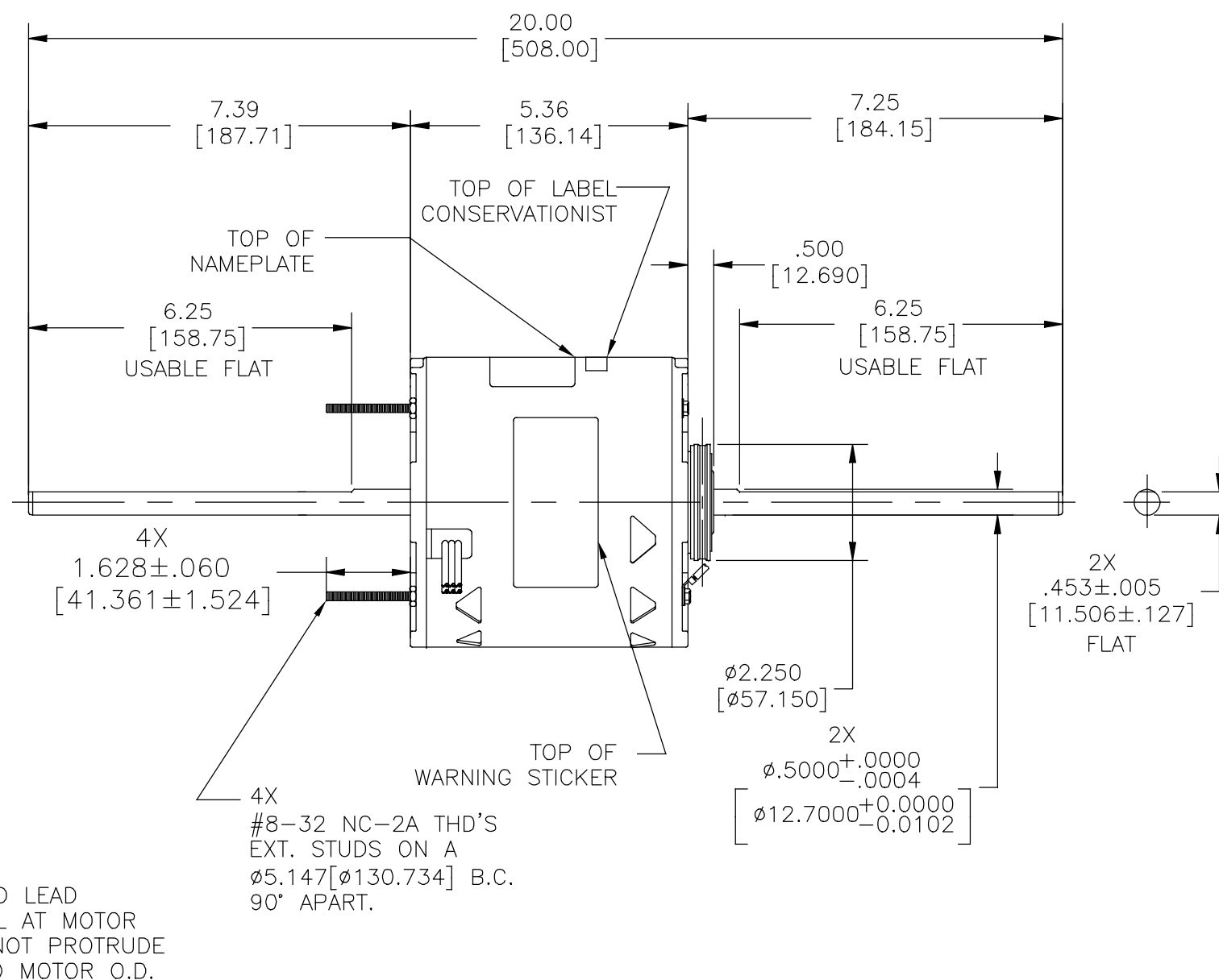
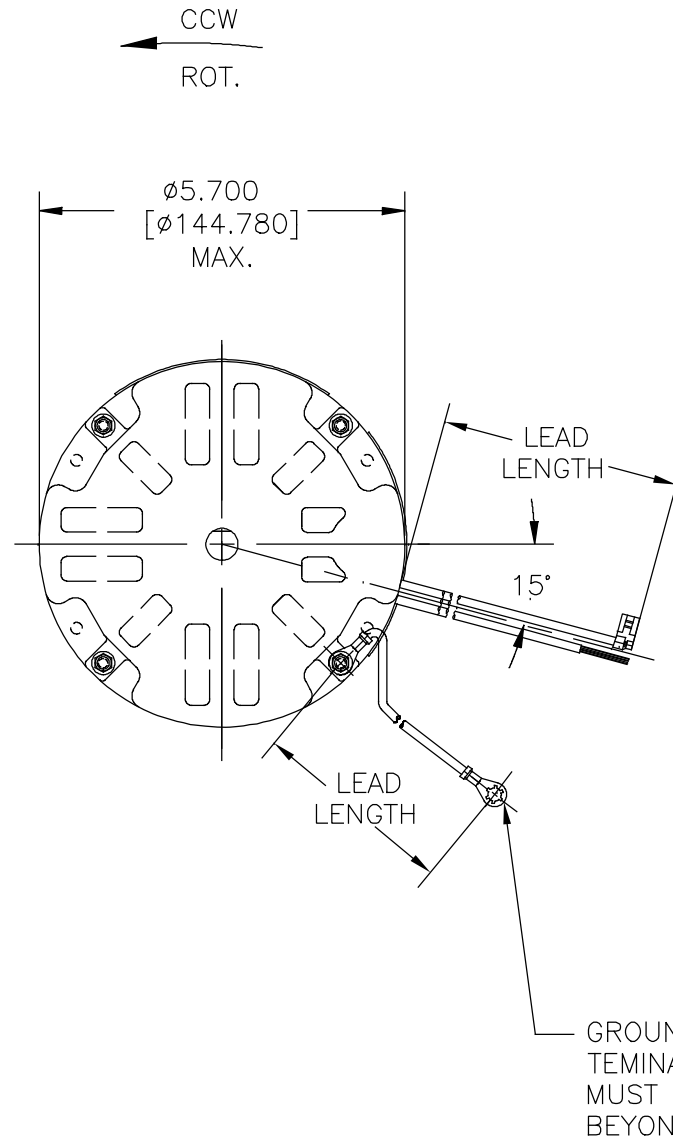
MOUNTING POSITION: HORIZONTAL

ELECTRICAL DATA:

OVERLOAD PROTECTOR: AUTOMATIC RESET (T.I. 7AM 032)

LEADS: NO. 18 GA., .06 [1.52] THK. 105°C PVC INSUL.

GROUND LEAD: NO. 18 GA., .03 [.76] THK. (GREEN) INSUL.



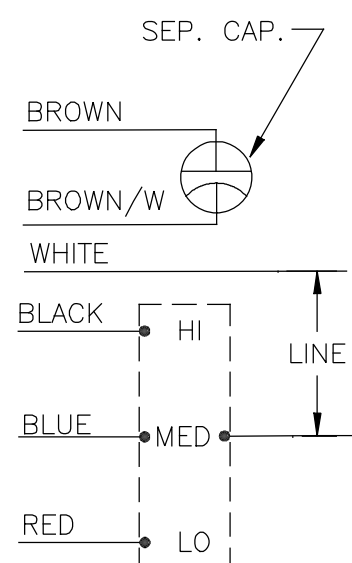
NOTES:

- 10008025-002-001 RESILIENT MOUNTING KIT TO BE PACKED WITH MOTOR;
- THE SYMBOL OF CTQ: ▲ (NO CTQ ON THIS DRAWING);
- MEET THE REQUIREMENT OF RoHS & REACH, SEE EP000014_5.1.

NAMEPLATE DATA:

MODEL: F48SQ6L36
 CUST. P/N: RA1076
 HP: 3/4
 ROT: CCWLE
 RPM: 1075/3 SPD.
 TYPE: UF
 FRAME: 48Y
 VOLTS: 208-230
 PH: 1
 AMPS: 3.6 (5.0 MAX.)
 HZ: 60
 INS: A
 AMB: 40°C
 DUTY: AIR OVER
 CAP.: 7.5 MFD/370V
 ENCL: SEMI-ENCL.
 CSA LOGO
 UL LOGO
 THERMALLY PROTECTED

EXTERNAL CONNECTION DIAGRAM



614131-106

| | | |
|-------------|----------------|--------------------------|
| GREEN (GRD) | 29/31[737/787] | #10 EYELET |
| BROWN/WHITE | 35/37[889/940] | .25[6.35] FLAG |
| BROWN | 35/37[889/940] | .25[6.35] FLAG |
| WHITE | 35/37[889/940] | .60[15.24] SKIN |
| BLACK | 35/37[889/940] | .60[15.24] SKIN |
| BLUE | 35/37[889/940] | .60[15.24] SKIN |
| RED | 35/37[889/940] | .60[15.24] SKIN |
| COLOR | LENGTH | TERMINAL OR STRIP LENGTH |

LEAD DATA

| | | |
|------------------|-------------|------------|
| DRAWING REVISION | REVISION BY | DATE |
| C | GELINE.ZHAO | 11-08-2019 |
| ECO | APPROVED BY | DATE |
| ECO-0176548 | KEYUN.GONG | 11-08-2019 |
| ECO DESCRIPTION | | |
| SEE ECO | | |

COPYRIGHT REGAL BELOIT AMERICA, INC. ALL RIGHTS RESERVED. PROPRIETARY AND CONFIDENTIAL INFORMATION - THIS DOCUMENT IS THE PROPERTY OF REGAL BELOIT AMERICA, INC. (OWNER) AND CONTAINS OWNER'S PROPRIETARY INFORMATION. ANY PERSON, CORPORATION OR OTHER FIRM RECEIVING IT IS DEEMED, BY RECEIVING IT, TO AGREE THAT IT, AND/OR ANY PART OF IT, SHALL NOT BE DISCLOSED TO ANY PERSON, CORPORATION OR OTHER ENTITY, DUPLICATED, AND/OR USED, EXCEPT AS EXPRESSLY APPROVED IN WRITING IN ADVANCE BY OWNER. THIS DOCUMENT SHALL BE RETURNED TO OWNER UPON REQUEST. IT MAY BE SUBJECT TO CERTAIN RESTRICTIONS UNDER APPLICABLE EXPORT CONTROL LAWS AND REGULATIONS.

REGAL-BELOIT CORPORATION (RBC) PROVIDES TECHNICAL ASSISTANCE TO OUR CUSTOMERS IN SEVERAL AREAS. SINCE RBC DOES NOT RECEIVE ALL DATA CONCERNING THE USE AND APPLICATION OF THE MOTOR, THE SUITABILITY OF THE MOTOR FOR THE APPLICATION MUST BE DETERMINED BY THE CUSTOMER.

DIMENSIONS WITHOUT TOLERANCES ARE FOR REFERENCE ONLY.

| | |
|------------------|---------------|
| MAIN FRAME - OLE | SEMI-ENCLOSED |
| END FRAME - OLE | OPEN |
| MAIN FRAME - LE | SEMI-ENCLOSED |
| END FRAME - LE | OPEN |

| | | | | |
|-----------------------|-------------------------|-----------------|-------------------|-----------------------|
| PERFORMANCE CURVE NO. | TORQUE @1100 RPM (25°C) | APPROVED SAMPLE | UL COMPONENT FILE | CSA GUIDE |
| C23064 | 60 OZ. FT. | EX11263 | E46412 | PRGY2 LR43341 260-φ-0 |

| | |
|-------|-----------------------|
| CUST. | DISTRIBUTION SERVICES |
|-------|-----------------------|

| | | |
|------------------------|-------------------------|---|
| DRAWN BY: G.ZHAO | DATE: 09-19-2016 | Regal Beloit America, Inc. |
| APPROVED BY: C.ZHOU | DATE: 09-19-2016 | |
| REFERENCE | MATERIAL | DESCRIPTION MODEL-RFHP-48FR OUTLINE |
| THIRD ANGLE PROJECTION | SIZE DWG NO C RA1076 | PROCESS/FINISH - |
| | | SHEET 1 |