

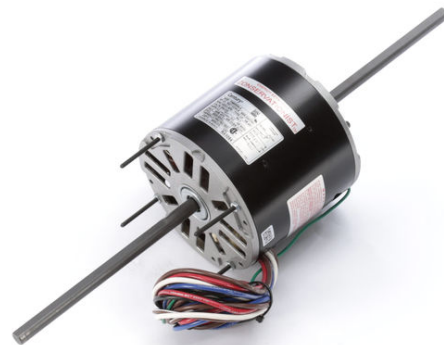
PRODUCT INFORMATION PACKET



Model No: RA1054

Catalog No: RA1054

1/2 HP Fan Coil / Room Air Conditioner Motor, 1625 RPM, 3 Speed, 208-230 Volts, 48 Frame, Semi Enclosed
Fan Coil / Room Air Conditioner Motors



Regal and Century are trademarks of Regal Beloit Corporation or one of its affiliated companies.
©2020 Regal Beloit Corporation, All Rights Reserved. MC017097E

The REGAL logo consists of the word 'REGAL' in a bold, white, sans-serif font, set against a dark grey, trapezoidal background with a slight shadow effect.

REGAL



Nameplate Specifications

| | | | |
|--------------------|------------|---------------------|---------------|
| Output HP | 1/2 Hp | Output KW | 0.37 kW |
| Frequency | 60 Hz | Voltage | 208-230 V |
| Current | 3.2 A | Speed | 1625 rpm |
| Service Factor | 1 | Phase | 1 |
| Duty | Air Over | Insulation Class | A |
| Frame | 48Y | Enclosure | Semi Enclosed |
| Thermal Protection | Automatic | Ambient Temperature | 40 °C |
| UL | Recognized | CSA | Y |
| CE | N | | |

Technical Specifications

| | | | |
|--------------------|-------------------------------|-----------------------|---------------------------|
| Electrical Type | Permanent Split Capacitor | Starting Method | Across The Line |
| Poles | 4 | Rotation | Counterclockwise Lead End |
| Mounting | Resilient Ring/Extended Studs | Motor Orientation | Horizontal |
| Drive End Bearing | Sleeve | Opp Drive End Bearing | Sleeve |
| Frame Material | Rolled Steel | Shaft Type | Flat |
| Overall Length | 20.00 in | Frame Length | 4.50 in |
| Shaft Diameter | 0.500 in | Shaft Extension | 7.6X.5X7.3 in |
| Connection Drawing | 614131-106 | Outline Drawing | 11773-021-S01 |

This is an uncontrolled document once printed or downloaded and is subject to change without notice. Date Created:06/11/2020

| REV | ECO | REV BY | DATE | APPD | DATE |
|-----|---------|------------|------------|---------------|------------|
| F | 0025575 | A. ARREOLA | 05-01-2012 | D. BALDERRAMA | 05-01-2012 |

GENERAL INFORMATION:

SHAFT RUNOUT: .001 [.03] T.I.R. PER INCH LENGTH OF EXTENSION

END PLAY: .010 TO .063 [.25 TO 1.60]

BEARINGS: SLEEVE

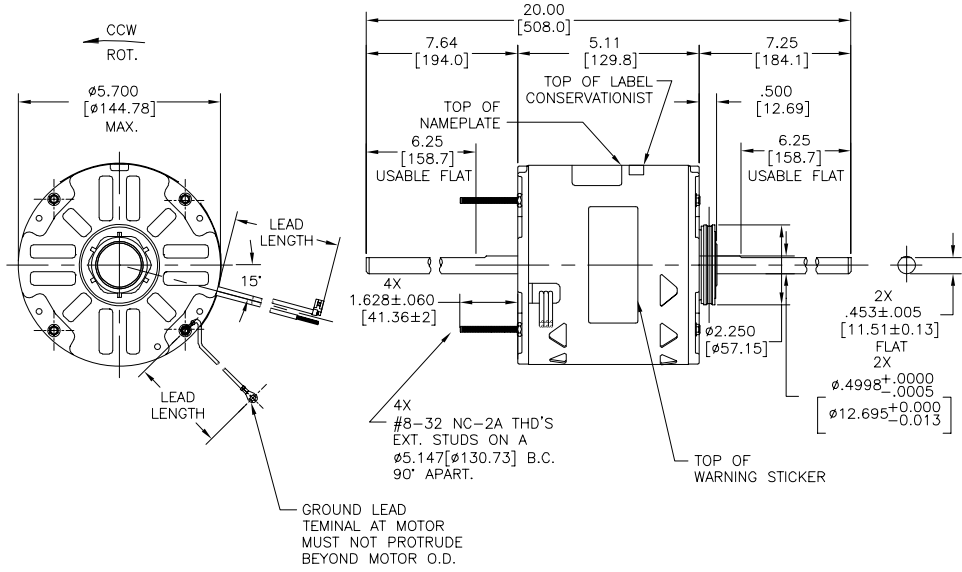
MOUNTING POSITION: HORIZONTAL

ELECTRICAL DATA:

OVERLOAD PROTECTOR: AUTOMATIC RESET (T.I. 7AM 032)

LEADS: NO. 18 GA., .06 [1.5] THK. 105°C PVC INSUL.

GROUND LEAD: NO. 18 GA., .03 [.8] THK. (GREEN) INSUL.

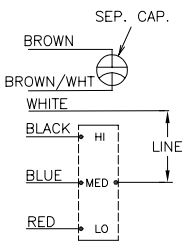


NAMEPLATE DATA: SEE NOTE 2

EXTERNAL CONNECTION DIAGRAM

MODEL: F48SN4L4
 CUST. P/N:
 HP: 1/2
 ROT: CCWLE
 RPM: 1625/3 SPD.
 TYPE: UF
 FRAME: 48Y
 VOLTS: 208-230
 PH: 1
 AMPS: 3.2 (4.2 MAX.)
 HZ: 60/50
 INS: A
 AMB: 40°C
 DUTY: AIR OVER
 CAP.: 5 MFD/370 V
 ENCL: SEMI-ENCL.
 CSA LOGO
 UL LOGO
 THERMALLY PROTECTED

614131-106



| | | |
|-------------|--------------------|----------------|
| GREEN (GRD) | 29.0/31.0[737/787] | #10 EYELET |
| BROWN/WHITE | 35.0/37.0[889/940] | .25[6.4] FLAG |
| BROWN | 35.0/37.0[889/940] | .25[6.4] FLAG |
| WHITE | 35.0/37.0[889/940] | .60[15.2] SKIN |
| BLACK | 35.0/37.0[889/940] | .60[15.2] SKIN |
| BLUE | 35.0/37.0[889/940] | .60[15.2] SKIN |
| RED | 35.0/37.0[889/940] | .60[15.2] SKIN |

- NOTES:
- 615059-001 RESILIENT MOUNTING KIT TO BE PACKED WITH MOTOR
 - DISTRIBUTION PART NUMBER: RA1054
GRAINGER PART NUMBER: 4MA67

| | |
|------------------|---------------|
| MAIN FRAME - OLE | SEMI-ENCLOSED |
| END FRAME - OLE | OPEN |
| MAIN FRAME - LE | SEMI-ENCLOSED |
| END FRAME - LE | OPEN |

| | |
|-------|-----------------------|
| CUST. | DISTRIBUTION SERVICES |
|-------|-----------------------|

| UL COMPONENT | | | | CSA | |
|--------------|-------|---------|---------|-----|--|
| FILE | GUIDE | FILE | GUIDE | | |
| E46412 | PRGY2 | LR43341 | 260-φ-0 | | |

LEAD DATA

REGAL-BELOIT CORPORATION (RBC) PROVIDES TECHNICAL ASSISTANCE TO OUR CUSTOMERS IN SEVERAL AREAS. SINCE RBC DOES NOT RECEIVE ALL DATA CONCERNING THE USE AND APPLICATION OF THE MOTOR, THE SUITABILITY OF THE MOTOR FOR THE APPLICATION MUST BE DETERMINED BY THE CUSTOMER.

DIMENSIONS WITHOUT TOLERANCES ARE FOR REFERENCE ONLY.

| PERFORMANCE CURVE NO. | TORQUE @1625 RPM (25°C) | APPROVED SAMPLE |
|-----------------------|-------------------------|-----------------|
| C23025 | 38.0 OZ. FT. | EX11260 |

GEOMETRIC CHARACTERISTICS & SYMBOLS

- FLATNESS
- STRAIGHTNESS
- ANGULARITY
- PERPENDICULARITY (SQUARENESS)
- PARALLELISM
- ROUNDNESS (CIRCULARITY)
- CYLINDRICITY
- PROFILE OF ANY SURFACE
- PROFILE OF ANY LINE
- RUNOUT
- TRUE POSITION
- CONCENTRICITY
- SYMMETRY

ASME Y14.5M 1994

| | | |
|-----------------------|-----------|-------------------------------------|
| DR BY: | R. RHODUS | 11-16-1993 |
| APPD: | D. CORB | 11-16-1995 |
| THRD ANGLE PROJECTION | | EDS DATE 11-11-2011 FORMAT REV C |

| | |
|----------------------------|-----------|
| | |
| DESCRIPTION | |
| MODEL-RFHP-48FR OUTLINE | |
| SIZE | DWG NO |
| C | 11773-021 |
| SCALE | NONE |
| SHEET 1 | |

| | | | | | |
|-----------|---------|---------------|------------|---------------|------------|
| REVISION: | ECO | REVISADO POR: | FECHA: | APROBADO POR: | FECHA: |
| F | 0025575 | A. ARREOLA | 05-01-2012 | D. BALDERRAMA | 05-01-2012 |

INFORMACION GENERAL:

OSCILACION DE FLECHA: .001 [.03] L.T.I. LONG. DE EXTENSION POR PULGADA

JUEGO AXIAL: .010 A .063 [.25 A 1.60]

BALEROS: MANGA

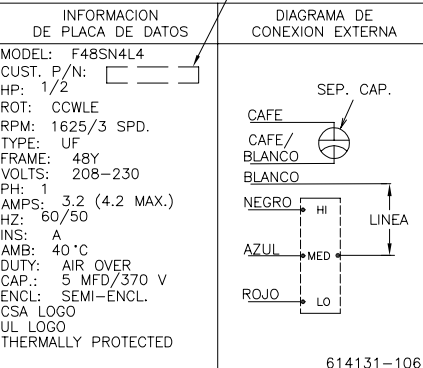
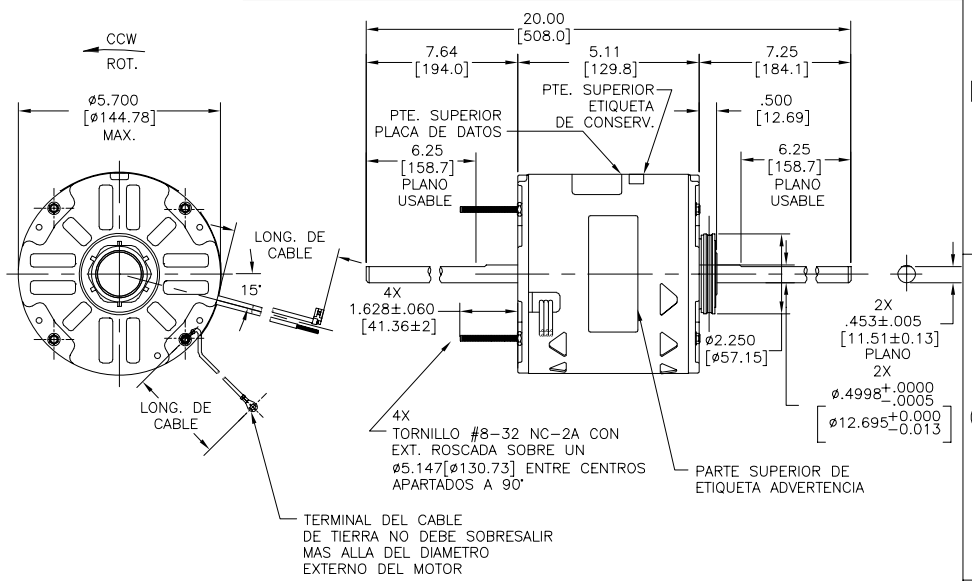
POSICION DEL MONTAJE: HORIZONTAL

INFORMACION ELECTRICICA:

SOBRECARGA DEL PROTECTOR: REINICIO AUTOMATICO (T.I. 7AM 032)

CABLES: CAL. NO. 18, .06 [1.5] ESP. 105°C PVC AISLAM.

CABLE DE TIERRA: CAL. NO. 18, .03 [.8] ESP. (VERDE) AISLAM.



| | | |
|----------------|--------------------|--------------------|
| VERDE (TIERRA) | 29.0/31.0[737/787] | #10 OJAL |
| CAFE/BLANCO | 35.0/37.0[889/940] | .25[6.4] BANDERA |
| CAFE | 35.0/37.0[889/940] | .25[6.4] BANDERA |
| BLANCO | 35.0/37.0[889/940] | .60[15.2] DESFORRE |
| NEGRO | 35.0/37.0[889/940] | .60[15.2] DESFORRE |
| AZUL | 35.0/37.0[889/940] | .60[15.2] DESFORRE |
| ROJO | 35.0/37.0[889/940] | .60[15.2] DESFORRE |

- NOTAS:
- PAQUETE DE MONTAJE AJUSTABLE 615059-001 SERA EMPACADO CON CADA MOTOR
 - NO. DE PARTE DE DISTRIBUCION: RA1054
NO. DE PARTE GRAINGER: 4MA67

| | |
|--------------------|--------------|
| CARCAZA PPAL.- OLE | SEMI-CERRADO |
| TAPA FINAL - OLE | ABIERTO |
| CARCAZA PPAL.- LE | SEMI-CERRADO |
| TAPA FINAL- LE | ABIERTO |
| TIPO DE MOTOR | |

| | |
|---------|-----------------------|
| CLIENTE | DISTRIBUTION SERVICES |
|---------|-----------------------|

| | | | | |
|---------------------|--------------------------|------------------|---------------|---------|
| CURVA DE FUNCIONAM. | TORSION @1625 RPM (25°C) | MUESTRA APROBADA | COMPONENTE UL | CSA |
| C23025 | 38.0 OZ. FT. | EX11260 | #ARCHIVO | PRGY2 |
| | | | #ARCHIVO | LR43341 |
| | | | #ARCHIVO | 260-Ø-0 |

INFORMACION DE CABLES

| | | |
|-------|----------|------------------------------|
| COLOR | LONGITUD | TERMINAL O LONG. DE DESFORRE |
|-------|----------|------------------------------|

CARACTERISTICAS DE GEOMETRIA Y SIMBOLOS

□ PLANICIDAD

— RECTITUD

∠ ANGULARIDAD

⊥ PERPENDICULARIDAD (A ESQUADRA)

// PARALELISMO

○ REDONDEZ (CIRCULARIDAD)

∅ CILINDRICIDAD

⊖ PERFIL DE CUALQUIER SUPERFICIE

⊖ PERFIL DE CUALQUIER LINEA

↑ VARIACION

⊕ POSICION REAL

⊙ CONCENRICIDAD

≡ SIMETRIA

ASME Y14.5M 1994

REGAL-BELOIT CORPORATION (RBC) PROVEE ASISTENCIA TECNICA A NUESTROS CLIENTES EN VARIAS AREAS. DESDE QUE RBC NO RECIBE TODOS LOS DATOS EN RELACION AL USO Y A LA APLICACION DEL MOTOR, LA APLICACION ADECUADA DEL MOTOR DEBE SER DETERMINADA POR EL CLIENTE.

DIMENSIONES SIN TOLERANCIA SON DE REFERENCIA SOLAMENTE

DIBUJADO POR: R. RHODUS 11-16-1993

APROBADO POR: D. CORB 11-16-1995

FECHA EDS: 11-11-2011

REV. FORMATO: G

TERCER ANGULO DE PROYECCION

CONFIDENCIAL: ESTE DIBUJO Y SU INFORMACION SON PROPIEDAD DE USO EXCLUSIVO Y CONFIDENCIAL DE REGAL-BELOIT CORPORATION. Y NO DEBERAN SER REVELADOS, DUPLICADOS, DISTRIBUIDOS O USARSE DE OTRA MANERA SIN EL CONSENTIMIENTO ESCRITO DE REGAL-BELOIT CORPORATION. -TODOS LOS DERECHOS RESERVADOS.

REGAL-BELOIT CORPORATION

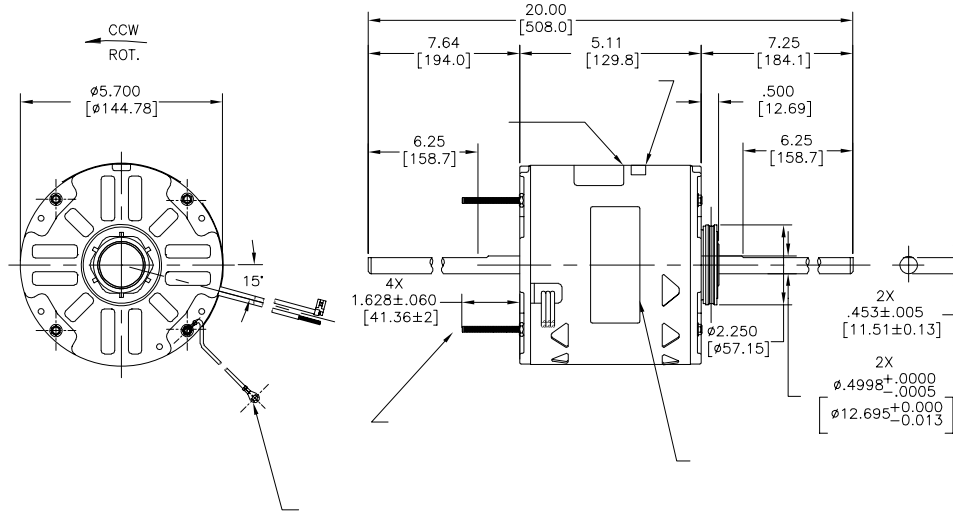
DESCRIPCION: MODEL-RFHP-48FR OUTLINE

TAMAÑO: C NUMERO DE DIBUJO: 11773-021

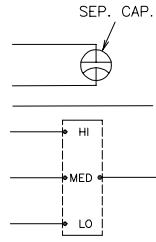
ESCALA: NONE

HOJA: 1

| | | | | | |
|----|---------|------------|------------|---------------|------------|
| 版本 | ECO | 编制 | 日期 | 批准 | 日期 |
| F | 0025575 | A. ARREOLA | 05-01-2012 | D. BALDERRAMA | 05-01-2012 |



MODEL: F48SN4L4
 CUST. P/N:
 HP: 1/2
 ROT: CCWLE
 RPM: 1625/3 SPD.
 TYPE: UF
 FRAME: 48Y
 VOLTS: 208-230
 PH: 1
 AMPS: 3.2 (4.2 MAX.)
 HZ: 60/50
 INS: A
 AMB: 40 °C
 DUTY: AIR OVER
 CAP.: 5 MFD/370 V
 ENCL: SEMI-ENCL.
 CSA LOGO
 UL LOGO
 THERMALLY PROTECTED



614131-106

| | |
|--|--------------------|
| | 29.0/31.0[737/787] |
| | 35.0/37.0[889/940] |
| | 35.0/37.0[889/940] |
| | 35.0/37.0[889/940] |
| | 35.0/37.0[889/940] |
| | 35.0/37.0[889/940] |
| | 35.0/37.0[889/940] |

| | |
|-------|--|
| COLOR | |
|-------|--|

| | |
|--|--|
| | |
| | |
| | |
| | |

DISTRIBUTION SERVICES

| | | | | | |
|--------|--------------|---------|--------|-------|-----------------|
| | | | | | CSA |
| C23025 | 38.0 OZ. FT. | EX11260 | E46412 | PRGY2 | LR43341 260-ø-0 |

- 形位公差
 - 平面度
 - 直线度
 - ∠ 倾斜度
 - ⊥ 垂直度
 - ∥ 平行度
 - 圆度
 - ⊙ 圆跳动
 - ⌒ 面轮廓度
 - ⌒ 线轮廓度
 - ↻ 圆跳动
 - ↻ 位置度
 - ↻ 对称度
- ASME Y14.5M 1994

REGAL-BELOIT CORPORATION (RBC) 在个别领域为客户提供技术支持。鉴于 RBC 未收到任何涉及电机使用和应用环境的数据，电机的适用性由客户自己决定。

未注公差尺寸仅供参考。

| | | |
|--|-----------|---------------------------------|
| 绘图: | R. RHODUS | 11-16-1993 |
| 批准: | D. CORB | 11-16-1995 |
| 第三角投影 | | 图稿格式发布日期 11-11-2011 图稿格式版本 C |
| 机密: 本图及相关信息所有权归 REGAL-BELOIT CORPORATION。未经 REGAL-BELOIT CORPORATION 书面授权, 不得泄露、复制或传播作其他用途。-- 版权所有 | | |

| | |
|----------------------------|--------------|
| | |
| 名称 MODEL-RFHP-48FR OUTLINE | |
| 图幅 C | 图号 11773-021 |
| 比例 NONE | 页号 1 |

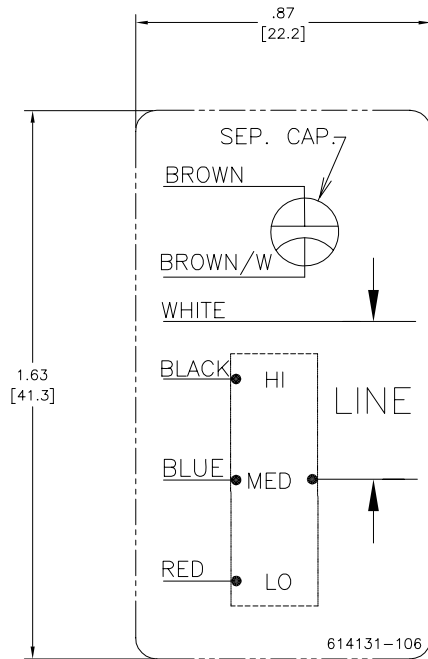
4

3

2

1

| REV | ECO | REV BY | DATE | APPD | DATE |
|-----|---------|--------|------------|------------|------------|
| C | 0019808 | PZ | 04-12-2011 | Tiger.Wang | 04-12-2011 |



NOTES:

1. FOR USE WITH 614129 OR 2513020-001 NAMEPLATE BLANKS
2. _____ INDICATES DIMENSION LIMITS

| GEOMETRIC CHARACTERISTICS & SYMBOLS | |
|-------------------------------------|-------------------------------|
| | FLATNESS |
| | STRAIGHTNESS |
| | ANGULARITY |
| | PERPENDICULARITY (SQUARENESS) |
| | PARALLELISM |
| | ROUNDNESS (CIRCULARITY) |
| | CYLINDRICITY |
| | PROFILE OF ANY SURFACE |
| | PROFILE OF ANY LINE |
| | RUNOUT |
| | TRUE POSITION |
| | CONCENTRICITY |
| | SYMMETRY |

| UNLESS OTHERWISE SPECIFIED DIM. TOLERANCES ARE AS FOLLOWS: | |
|--|---|
| INCH | $\pm .1$ $\pm .02$ $\pm .005$ $\pm .0005$ |
| mm | ± 0.5 ± 0.13 ± 0.013 |
| ANG. $\pm .50$ DEG | |
| REMOVE BURRS & BREAK SHARP EDGES: | |
| INCH | .003-015 |
| mm | 0.1-0.4 |
| CORNER FILLETS TO: | |
| INCH | .020 |
| mm | 0.5 |
| MACHINE SURFACES: | |
| INCH | 125 |
| mm | 3.2 |
| METRIC DIMS. SHOWN IN [BRACKETS] | |

| | | |
|---|------------|-------------------------------------|
| DR BY: | PZ | 04-12-2011 |
| APPD: | Tiger.Wang | 04-12-2011 |
| THIRD ANGLE PROJECTION | | EDS DATE 02-22-2011 FORMAT REV F |
| CONFIDENTIAL: THIS DRAWING AND ITS INFORMATION ARE THE EXCLUSIVE AND CONFIDENTIAL PROPERTY OF A.O. SMITH CORP. AND ARE NOT TO BE DISCLOSED, DUPLICATED, DISTRIBUTED OR OTHERWISE USED WITHOUT THE WRITTEN CONSENT OF A.O. SMITH CORP. -ALL RIGHTS RESERVED. ASME Y14.5M 1994 | | |

| | |
|---------------------------------------|--|
| | ELECTRICAL PRODUCTS COMPANY A DIVISION OF A.O. SMITH CORPORATION |
| DESCRIPTION CONN DIAGRAM-NAMEPLATE | |
| SIZE C | DWG NO 614131-106 |
| SCALE NONE | SHEET 1 |

4

3

2

1

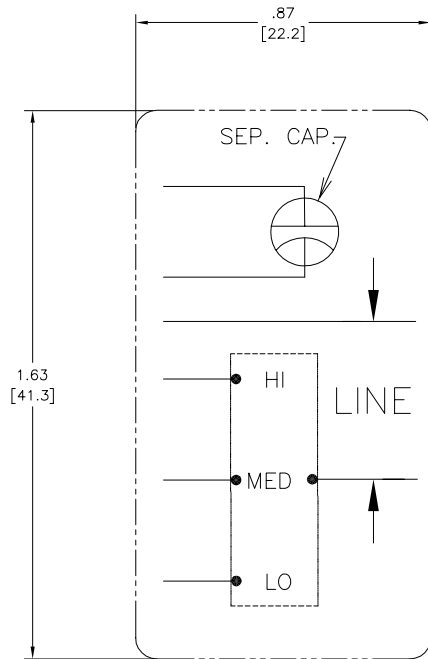
4

3

2

1

| | | | | | |
|-----------|---------|---------------|------------|---------------|------------|
| REVISION: | ECO | REVISADO POR: | FECHA: | APROBADO POR: | FECHA: |
| C | 0019808 | PZ | 04-12-2011 | Tiger.Wang | 04-12-2011 |



| | | | | |
|---|---|-----------------------------|------------------------------|---|
| CARACTERISTICAS DE GEOMETRIA Y SIMBOLOS ▽ PLANICIDAD — RECTITUD ∠ ANGULARIDAD ⊥ PERPENDICULARIDAD (A ESQUADRA) // PARALELISMO ○ REDONDEZ (CIRCULARIDAD) ⦶ CILINDRICIDAD ⊖ PERFIL DE CUALQUIER SUPERFICIE ∩ PERFIL DE CUALQUIER LINEA † VARIACION ⊕ POSICION REAL ⊙ CONCENTRICIDAD ≡ SIMETRIA | A MENOS QUE SE ESPECIFIQUE DE OTRA MANERA, LAS TOLERANCIAS DE LAS DIMS. SON LAS SIGUIENTES: PULG ±.1 ±.02 ±.005 ±.0005 mm ±0.5 ±0.13 ±0.013 ANG. ±50 GRADOS ELIMINAR REBABAS Y ORILLAS FILOSAS DEL BORDE. PULG .003-.015 mm 0.1-0.4 FILETEAR ESQUINA: PULG .020 mm 0.5 MAQUINAR SUPERFICIES PULG 125 mm 3.2 DIMS METRICAS MOSTRADAS [PARENTESIS] | DIBUJADO POR: PZ | 04-12-2011 | ELECTRICAL PRODUCTS COMPANY A DIVISION OF A.O. SMITH CORPORATION |
| | | APROBADO POR: Tiger.Wang | 04-12-2011 | |
| TERCER ANGULO DE PROYECCION | FECHA EDS: 02-22-2011 REV. FORMATO: F | TAMAÑO: C | NUMERO DE DIBUJO: 614131-106 | |
| CONFIDENCIAL: ESTE DIBUJO Y SU INFORMACION SON PROPIEDAD DE USO EXCLUSIVO Y CONFIDENCIAL DE A.O.SMITH CORP. Y NO DEBERAN SER REVELADOS. DUPLICADOS, DISTRIBUIDOS O USARSE DE OTRA MANERA SIN EL CONSENTIMIENTO ESCRITO DE A.O. SMITH CORP. -TODOS LOS DERECHOS RESERVADOS.ASME Y14.5M 1994 | | ESCALA: NONE | HOJA: 1 | |

4

3

2

1

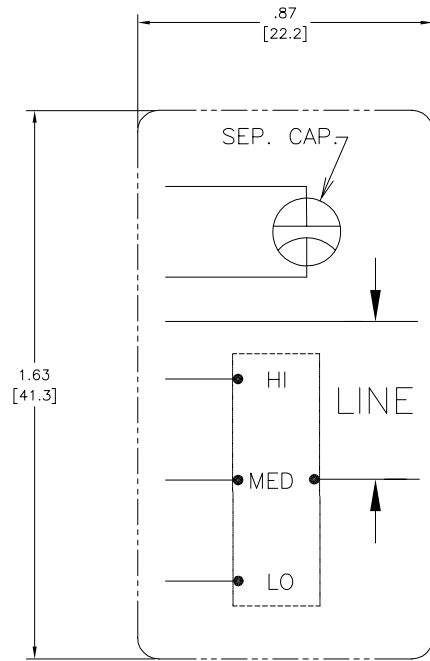
4

3

2

1

| | | | | | |
|----|---------|----|------------|------------|------------|
| 版本 | ECO | 编制 | 日期 | 批准 | 日期 |
| C | 0019808 | PZ | 04-12-2011 | Tiger.Wang | 04-12-2011 |



| | | | |
|---|---|---|--|
| 形位公差 □ 平面度 — 直线度 ∠ 倾斜度 ⊥ 垂直度 // 平行度 ○ 圆度 ⊙ 圆跳动 Ⓜ 面轮廓度 Ⓝ 线轮廓度 Ⓢ 圆跳动 Ⓣ 位置度 Ⓤ 同轴度 ≡ 对称度 | 除另有注明 尺寸公差如下： 英寸 X XX XXX XXXX 毫米 ±.1 ±.02 ±.005 ±.0005 角度 ±.50 度 清理毛刺和尖棱 英寸 .003-.015 毫米 0.1-0.4 内圆角 英寸 .020 毫米 0.5 表面粗糙度 英制 125 米制 3.2 米制尺寸显示在[] | 绘图： PZ 04-12-2011 批准： Tiger.Wang 04-12-2011 第三角投影 | AC Smith ELECTRICAL PRODUCTS COMPANY A DIVISION OF A. O. SMITH CORPORATION 名称 图幅 C 图号 614131-106 比例 NONE 页号 1 |
| | 图纸格式发布日期 02-22-2011 图纸格式版本 F | 机密：本图纸及相关信息所有权归A. O. SMITH公司所有。 未经A. O. SMITH公司书面授权，不得泄露、复制、传播或作 其他用途。—版权所有 | |
| | ASME Y14.5M 1994 | 图幅格式发布日期 02-22-2011 图纸格式版本 F | |
| | 图幅 C 图号 614131-106 比例 NONE 页号 1 | 图幅格式发布日期 02-22-2011 图纸格式版本 F | |

4

3

2

1