

# PRODUCT INFORMATION PACKET



Model No: RA1026

Catalog No: RA1026

1/4 HP Fan Coil / Room Air Conditioner Motor, 1075 RPM, 3 Speed, 208-230 Volts, 48 Frame, Semi Enclosed  
Fan Coil / Room Air Conditioner Motors



Regal and Century are trademarks of Regal Beloit Corporation or one of its affiliated companies.  
©2020 Regal Beloit Corporation, All Rights Reserved. MC017097E

REGAL



**Nameplate Specifications**

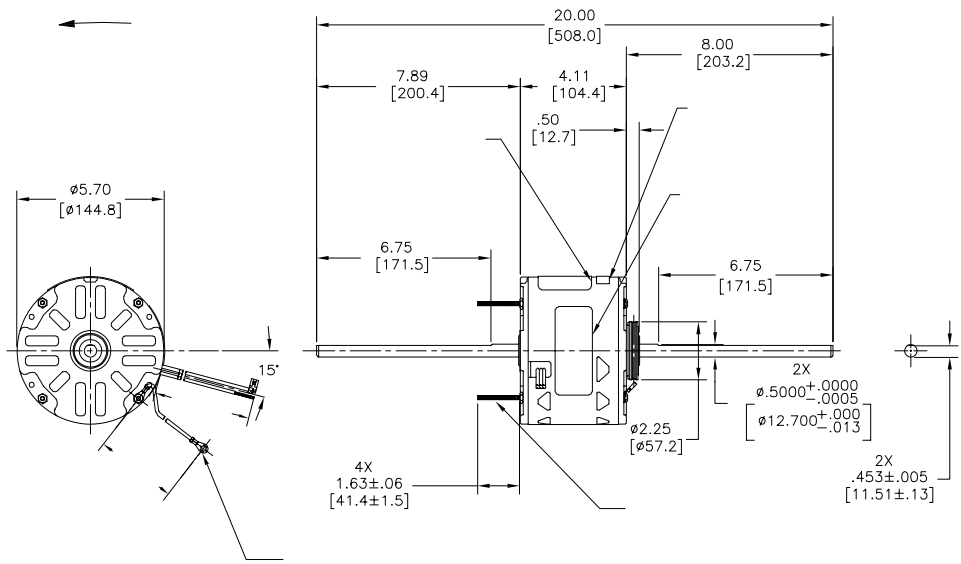
Output HP	1/4 Hp	Output KW	0.19 kW
Frequency	60 Hz	Voltage	208-230 V
Current	1.5 A	Speed	1075 rpm
Service Factor	1	Phase	1
Duty	Air Over	Insulation Class	B
Frame	48Y	Enclosure	Semi Enclosed
Thermal Protection	Automatic	Ambient Temperature	60 °C
UL	Recognized	CSA	Y
CE	N		

**Technical Specifications**

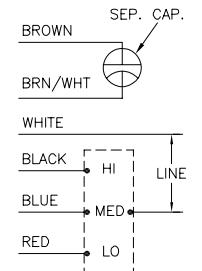
Electrical Type	Permanent Split Capacitor	Starting Method	Across The Line
Poles	6	Rotation	Counterclockwise Lead End
Mounting	Resilient Ring/Extended Studs	Motor Orientation	Horizontal
Drive End Bearing	Sleeve	Opp Drive End Bearing	Sleeve
Frame Material	Rolled Steel	Shaft Type	Flat
Overall Length	20.00 in	Frame Length	3.50 in
Shaft Diameter	0.500 in	Shaft Extension	7.9X.5X8.0 in
Outline Drawing	RA1026-S01	Connection Drawing	614131-106

This is an uncontrolled document once printed or downloaded and is subject to change without notice. Date Created:22/09/2020

版本	ECO	编制	日期	核准	日期
A	0030190	F.NAVARRO	01-09-2013	D.BALDERRAMA	01-09-2013



MODEL NO.: F48SG6L11  
 CUST. P/N: [ ]  
 HP: 1/4  
 ROT.: CCWLE  
 RPM: 1075/3 SPD  
 TYPE: UF  
 FRAME: 48Y  
 VOLTS: 208-230  
 PH: 1  
 AMPS: 1.5 (1.9 MAX)  
 HZ: 60  
 INS.: B  
 AMB.: 60°C  
 DUTY: AIR OVER  
 CAP: 5 MFD/370V  
 ENCL: SEMI-ENCL  
 CSA LOGO  
 UL LOGO  
 THERMALLY PROTECTED



614131-106

	29.0/31.0	
	[737/787]	
	35.0/37.0	.25[6.4]
	[889/940]	
	35.0/37.0	.25[6.4]
	[889/940]	
	35.0/37.0	.60[15.2]
	[889/940]	
	35.0/37.0	.60[15.2]
	[889/940]	
	35.0/37.0	.60[15.2]
	[889/940]	
	35.0/37.0	.60[15.2]
	[889/940]	

		CCN #		CSA	
C23006	EX11258	E46412	PRGY2	LR43341	260-0-0

REGAL-BELOIT CORPORATION (RBC) 在个别领域为客户  
 提供技术支持。鉴于RBC  
 未收到任何涉及电机使用和  
 应用环境的数据，电机的适用性  
 由客户自己决定。  
 未注公差尺寸仅供参考。  
 ASME Y14.5M 1994

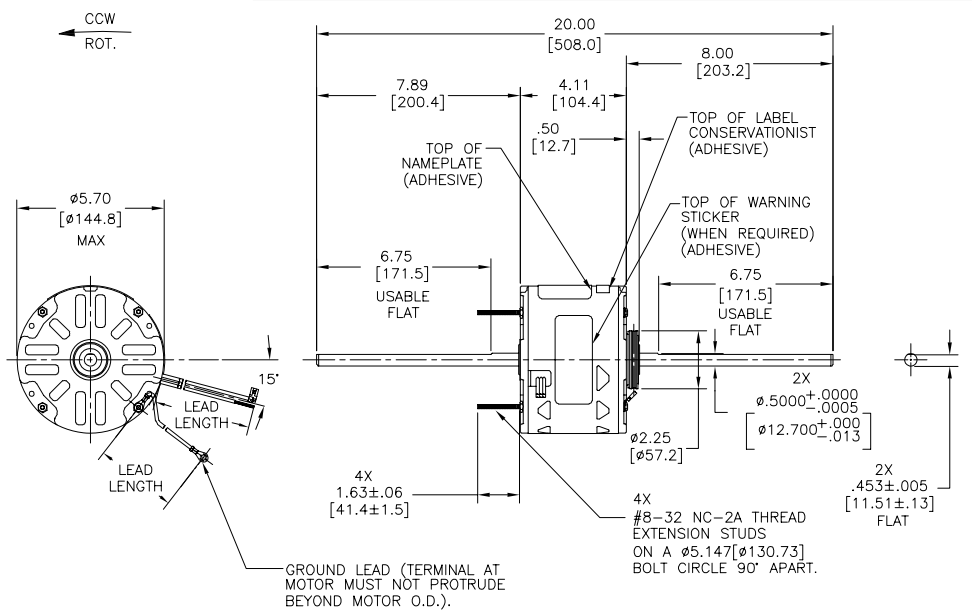
编制:	F.NAVARRO	01-08-2013
核准:	J.CISNEROS	01-08-2013
第二角投影	图框格式发布日期 11-11-2011 图框格式版本 H	
机密: 本图纸及相关信息所有权归REGAL-BELOIT CORPORATION. 未经REGAL-BELOIT CORPORATION书面授权, 不得泄露、 复制、传播或作其他用途。--版权所有		

REGAL-BELOIT CORPORATION	
名称	
MODEL-RFHP-48FR OUTLINE	
图号	图号
C	RA1026
比例	图号
NONE	1

REV	ECO	REV BY	DATE	APPD	DATE
A	0030190	F.NAVARRO	01-09-2013	D.BALDERRAMA	01-09-2013

**GENERAL INFORMATION:**  
 SHAFT RUNOUT: .001[.03] T.I.R. PER INCH LENGTH OF EXTENSION  
 END PLAY: .010[.25] TO .063[1.60]  
 BEARINGS: SLEEVE  
 MOUNTING POSITION: HORIZONTAL

**ELECTRICAL DATA:**  
 OVERLOAD PROTECTOR: AUTOMATIC RESET (SENSATA 7AM 036)  
 LEADS: NO. 18 GA., .06[1.5] THK., 105°C PVC INSUL.  
 GROUND LEAD: NO. 18 GA., .03[.8] THK. (GREEN) INSUL.



NAMEPLATE DATA: MODEL NO.: F48SG6L11  
 CUST. P/N: [ ]  
 HP: 1/4  
 ROT.: CCWLE  
 RPM: 1075/3 SPD  
 TYPE: UF  
 FRAME: 48Y  
 VOLTS: 208-230  
 PH: 1  
 AMPS: 1.5 (1.9 MAX)  
 HZ: 60  
 INS.: B  
 AMB.: 60°C  
 DUTY: AIR OVER  
 CAP: 5 MFD/370V  
 ENCL: SEMI-ENCL  
 CSA LOGO  
 UL LOGO  
 THERMALLY PROTECTED

EXTERNAL CONNECTION DIAGRAM:  
 BROWN SEP. CAP.  
 BRN/WHT  
 WHITE  
 BLACK HI  
 BLUE MED  
 RED LO

SEE NOTE 2

GREEN (GRD)	29.0/31.0 [737/787]	#10 EYELET
BROWN/WHITE	35.0/37.0 [889/940]	.25[6.4] FEMALE FLAG
BROWN	35.0/37.0 [889/940]	.25[6.4] FEMALE FLAG
WHITE	35.0/37.0 [889/940]	.60[15.2] SKIN
BLACK	35.0/37.0 [889/940]	.60[15.2] SKIN
BLUE	35.0/37.0 [889/940]	.60[15.2] SKIN
RED	35.0/37.0 [889/940]	.60[15.2] SKIN
COLOR	LENGTH	TERMINAL OR STRIP LENGTH

- NOTES:  
 1. 615059-001 RESILIENT MOUNTING KIT TO BE PACKED WITH MOTOR.  
 2. DISTRIBUTION PART NUMBER: RA1026  
 GRAINGER PART NUMBER: 4MA57

PERFORMANCE CURVE NO.	TORQUE @ 1075 RPM (25°C)	APPROVED SAMPLE	UL COMPONENT FILE #	CCN #	CSA FILE #	CLASS #
C23006	23.0 OZ. FT.	EX11258	E46412	PRGY2	LR43341	260-ø-0

GEOMETRIC CHARACTERISTICS & SYMBOLS  
 □ FLATNESS  
 — STRAIGHTNESS  
 < ANGLARITY  
 ⊥ PERPENDICULARITY (SQUARENESS)  
 ∥ PARALLELISM  
 ○ ROUNDNESS (CIRCULARITY)  
 ⌀ CYLINDRICITY  
 ~ PROFILE OF ANY SURFACE  
 ~ PROFILE OF ANY LINE  
 ⚶ RUNOUT  
 ⚭ TRUE POSITION  
 ⊙ CONCENTRICITY  
 = SYMMETRY  
 ASME Y14.5M 1994

REGAL-BELOIT CORPORATION (RBC) PROVIDES TECHNICAL ASSISTANCE TO OUR CUSTOMERS IN SEVERAL AREAS. SINCE RBC DOES NOT RECEIVE ALL DATA CONCERNING THE USE AND APPLICATION OF THE MOTOR, THE SUITABILITY OF THE MOTOR FOR THE APPLICATION MUST BE DETERMINED BY THE CUSTOMER.  
 DIMENSIONS WITHOUT TOLERANCES ARE FOR REFERENCE ONLY.

DR BY: F.NAVARRO 01-08-2013  
 APPD: J.CISNEROS 01-08-2013  
 THRD ANGLE PROJECTION  
 EDS DATE 11-11-2011  
 FORMAT REV H

CONFIDENTIAL: THIS DRAWING AND ITS INFORMATION ARE THE EXCLUSIVE AND CONFIDENTIAL PROPERTY OF REGAL-BELOIT CORPORATION AND ARE NOT TO BE DISCLOSED, DUPLICATED, DISTRIBUTED OR OTHERWISE USED WITHOUT THE WRITTEN CONSENT OF REGAL-BELOIT CORPORATION. -ALL RIGHTS RESERVED.

MAIN FRAME - OLE SEMI-ENCLOSED  
 END FRAME - OLE OPEN  
 MAIN FRAME - LE SEMI-ENCLOSED  
 END FRAME - LE OPEN

CUSTOMER DISTRIBUTION SERVICE

ENCLOSURE

REGAL REGAL-BELOIT CORPORATION

DESCRIPTION: MODEL-RFHP-48FR OUTLINE

SIZE: C DWG NO: RA1026

SCALE: NONE SHEET 1

REVISION:	ECO	REVISADO POR:	FECHA:	APROBADO POR:	FECHA:
A	0030190	F.NAVARRO	01-09-2013	D.BALDERRAMA	01-09-2013

**INFORMACION GENERAL:**

OSILACION DE LA FLECHA: .001[.03] L.T.I. DE ACUERDO A UNA PULGADA DE EXTENSION.

JUEGO AXIAL: .010[.25] A .063[1.60]

BALEROS: MANGA

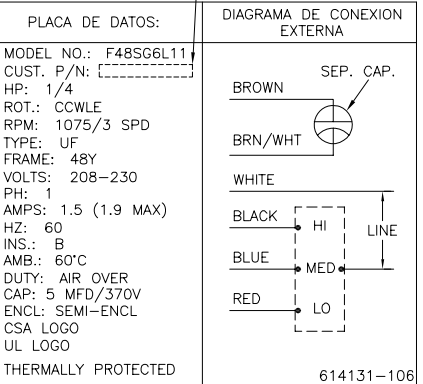
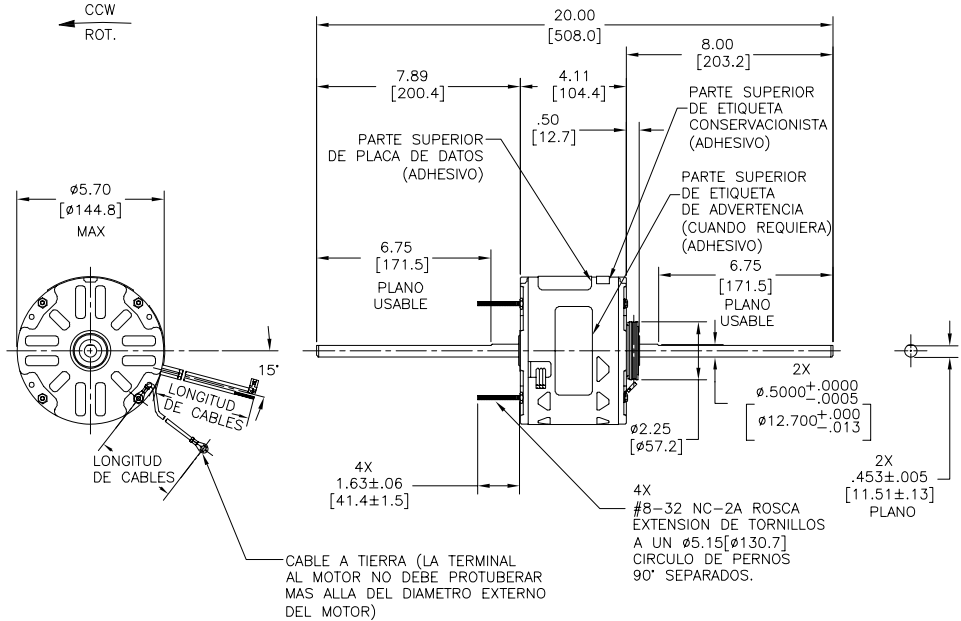
POSICION DE MONTAJE: HORIZONTAL

**DATOS ELECTRICOS:**

PROTECTOR DE SOBRECARGA: REINICIO AUTOMATICO (SENSATA 7AM 036)

CABLES: CALIBRE NO. 18, .06[1.5] DE ESPESOR PVC 105°C AISLADO.

CABLE A TIERRA: CALIBRE NO. 18, .03[.8] DE ESPESOR (VERDE) AISLADO.



VERDE (TIERRA)	29.0/31.0 [737/787]	OJAL #10
CAFE/BLANCO	35.0/37.0 [889/940]	.25[6.4] BANDERA HEMBRA
CAFE	35.0/37.0 [889/940]	.25[6.4] BANDERA HEMBRA
BLANCO	35.0/37.0 [889/940]	.60[15.2] FORRO
NEGRO	35.0/37.0 [889/940]	.60[15.2] FORRO
AZUL	35.0/37.0 [889/940]	.60[15.2] FORRO
ROJO	35.0/37.0 [889/940]	.60[15.2] FORRO
COLOR	LONGITUD	TERMINAL O LONGITUD DE DESFORRE

- NOTAS:
- 615059-001 JUEGO DE MONTAJE AJUSTABLE PARA SER EMPACADO CON EL MOTOR.
  - DISTRIBUCION NUMERO DE PARTE: RA1026 NUMERO DE PARTE GRAINGER: 4MA57

CARCARA - OLE	SEMI-CERRADO
TAPA FINAL - OLE	ABIERTO
CARCARA - LE	SEMI-CERRADO
TAPA FINAL - LE	ABIERTO
TIPO DE MOTOR	

CLIENTE	DISTRIBUTION SERVICE
---------	----------------------

CURVAS DE FUNCIONAMIENTO	TORSION @1075 RPM (25°C)	MUESTRA APROVADA	COMPONENTE UL	CSA
C23006	23.0 OZ. PIES	EX11258	E46412 PRGY2	LR43341 260-ø-0

**INFORMACION DE CABLES**

CARACTERISTICAS DE GEOMETRIA Y SIMBOLOS

- PLANICIDAD
- RECTITUD
- ANGULARIDAD
- PERPENDICULARIDAD (A ESQUADRA)
- PARALELISMO
- REDONDEZ (CIRCULARIDAD)
- CILINDRICIDAD
- PERFIL DE CUALQUIER SUPERFICIE
- PERFIL DE CUALQUIER LINEA
- VARIACION
- POSICION REAL
- CONCENTRICIDAD
- SIMETRIA

ASME Y14.5M 1994

REGAL-BELOIT CORPORATION (RBC) PROVEE ASISTENCIA TECNICA A NUESTROS CLIENTES EN VARIAS AREAS. DESDE QUE RBC NO RECIBE TODOS LOS DATOS EN RELACION AL USO Y A LA APLICACION DEL MOTOR, LA APLICACION ADECUADA DEL MOTOR DEBE SER DETERMINADA POR EL CLIENTE.

DIMENSIONES SIN TOLERANCIA SON DE REFERENCIA SOLAMENTE

DIBUJADO POR:	F.NAVARRO	01-08-2013
APROBADO POR:	J.CISNEROS	01-08-2013
TERCER ANGULO DE PROYECCION	FECHA EDS: 11-11-2011	REV. FORMATO: H
CONFIDENCIAL: ESTE DIBUJO Y SU INFORMACION SON PROPIEDAD DE USO EXCLUSIVO Y CONFIDENCIAL DE REGAL-BELOIT CORPORATION. Y NO DEBERAN SER REVELADOS, DUPLICADOS, DISTRIBUIDOS O USARSE DE OTRA MANERA SIN EL CONSENTIMIENTO ESCRITO DE REGAL-BELOIT CORPORATION. -TODOS LOS DERECHOS RESERVADOS.		

DESCRIPCION:	
MODEL-RFHP-48FR OUTLINE	
TAMAÑO:	NUMERO DE DIBUJO:
C	RA1026
ESCALA: NONE	HOJA: 1

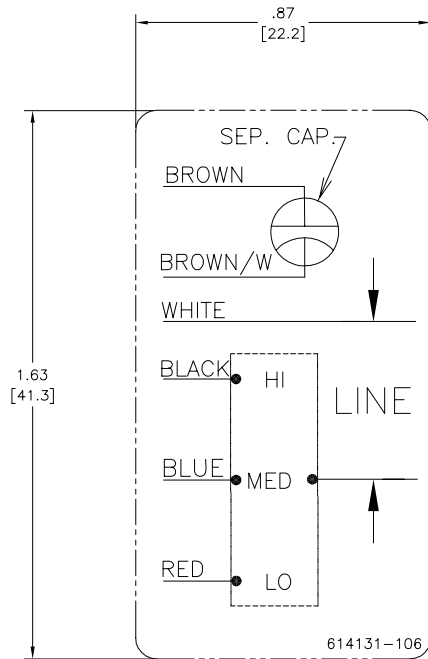
4

3

2

1

REV	ECO	REV BY	DATE	APPD	DATE
C	0019808	PZ	04-12-2011	Tiger.Wang	04-12-2011



NOTES:

1. FOR USE WITH 614129 OR 2513020-001 NAMEPLATE BLANKS
2. \_\_\_\_\_ INDICATES DIMENSION LIMITS

GEOMETRIC CHARACTERISTICS & SYMBOLS	
	FLATNESS
	STRAIGHTNESS
	ANGULARITY
	PERPENDICULARITY (SQUARENESS)
	PARALLELISM
	ROUNDNESS (CIRCULARITY)
	CYLINDRICITY
	PROFILE OF ANY SURFACE
	PROFILE OF ANY LINE
	RUNOUT
	TRUE POSITION
	CONCENTRICITY
	SYMMETRY

UNLESS OTHERWISE SPECIFIED DIM. TOLERANCES ARE AS FOLLOWS:	
INCH	±.1    .XX    .XXX    .XXXX
mm	±0.5    ±0.13    ±0.013
ANG. ±.50 DEG	
REMOVE BURRS & BREAK SHARP EDGES:	
INCH	.003-015
mm	0.1-0.4
CORNER FILLETS TO:	
INCH	.020
mm	0.5
MACHINE SURFACES:	
INCH	125
mm	3.2
METRIC DIMS. SHOWN IN [BRACKETS]	

DR BY:	PZ	04-12-2011
APPD:	Tiger.Wang	04-12-2011
THIRD ANGLE PROJECTION		EDS DATE 02-22-2011 FORMAT REV F
CONFIDENTIAL: THIS DRAWING AND ITS INFORMATION ARE THE EXCLUSIVE AND CONFIDENTIAL PROPERTY OF A.O. SMITH CORP. AND ARE NOT TO BE DISCLOSED, DUPLICATED, DISTRIBUTED OR OTHERWISE USED WITHOUT THE WRITTEN CONSENT OF A.O. SMITH CORP. -ALL RIGHTS RESERVED. ASME Y14.5M 1994		

	<b>ELECTRICAL PRODUCTS COMPANY</b> A DIVISION OF A.O. SMITH CORPORATION
DESCRIPTION CONN DIAGRAM-NAMEPLATE	
SIZE C	DWG NO 614131-106
SCALE NONE	SHEET 1

4

3

2

1

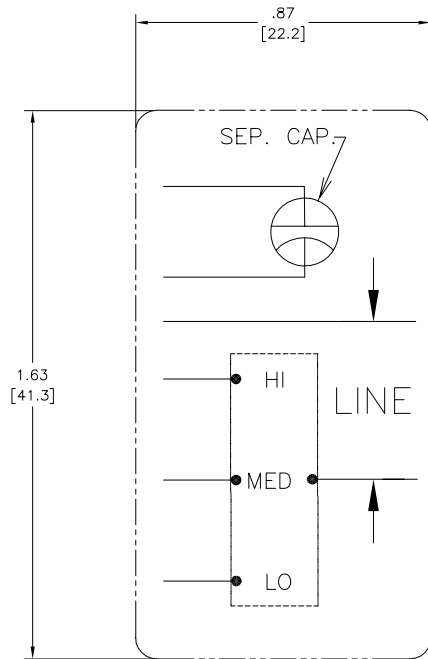
4

3

2

1

REVISION:	ECO	REVISADO POR:	FECHA:	APROBADO POR:	FECHA:
C	0019808	PZ	04-12-2011	Tiger.Wang	04-12-2011



CARACTERISTICAS DE GEOMETRIA Y SIMBOLOS ▽ PLANICIDAD — RECTITUD ∠ ANGULARIDAD ⊥ PERPENDICULARIDAD (A ESQUADRA) // PARALELISMO ○ REDONDEZ (CIRCULARIDAD) ⦶ CILINDRICIDAD ⊖ PERFIL DE CUALQUIER SUPERFICIE ∩ PERFIL DE CUALQUIER LINEA † VARIACION ⊕ POSICION REAL ⊙ CONCENTRICIDAD ≡ SIMETRIA	A MENOS QUE SE ESPECIFIQUE DE OTRA MANERA, LAS TOLERANCIAS DE LAS DIMS. SON LAS SIGUIENTES: PULG ±.1 ±.02 ±.005 ±.0005 mm ±0.5 ±0.13 ±0.013 ANG. ±50 GRADOS ELIMINAR REBABAS Y ORILLAS FILOSAS DEL BORDE. PULG .003-.015 mm 0.1-0.4 FILETEAR ESQUINA: PULG .020 mm 0.5 MAQUINAR SUPERFICIES PULG 125 mm 3.2 DIMS METRICAS MOSTRADAS [PARENTESIS]	DIBUJADO POR: PZ	04-12-2011	ELECTRICAL PRODUCTS COMPANY A DIVISION OF A.O. SMITH CORPORATION
		APROBADO POR: Tiger.Wang	04-12-2011	
TERCER ANGULO DE PROYECCION		FECHA EDS: 02-22-2011 REV. FORMATO: F	TAMAÑO: C	NUMERO DE DIBUJO: 614131-106
CONFIDENCIAL: ESTE DIBUJO Y SU INFORMACION SON PROPIEDAD DE USO EXCLUSIVO Y CONFIDENCIAL DE A.O.SMITH CORP. Y NO DEBERAN SER REVELADOS. DUPLICADOS, DISTRIBUIDOS O USARSE DE OTRA MANERA SIN EL CONSENTIMIENTO ESCRITO DE A.O. SMITH CORP. -TODOS LOS DERECHOS RESERVADOS.ASME Y14.5M 1994		ESCALA: NONE	HOJA: 1	

4

3

2

1

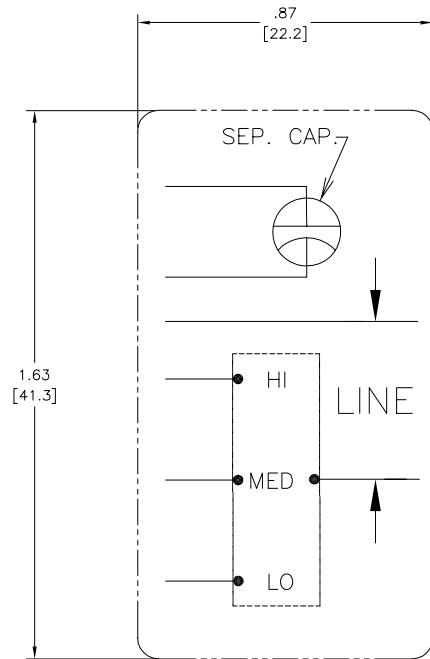
4

3

2

1

版本	ECO	编制	日期	批准	日期
C	0019808	PZ	04-12-2011	Tiger.Wang	04-12-2011



形位公差 □ 平面度 — 直线度 ∠ 倾斜度 ⊥ 垂直度 // 平行度 ○ 圆度 ⊙ 圆跳动 Ⓜ 面轮廓度 Ⓡ 线轮廓度 Ⓢ 圆跳动 Ⓣ 位置度 Ⓤ 同轴度 ≡ 对称度	除另有注明 尺寸公差如下: 英寸 X XX XXX XXXX 毫米 ±.1 ±.02 ±.005 ±.0005 角度 ±.50 度 清理毛刺和尖棱 英寸 .003-.015 毫米 0.1-0.4 内圆角 英寸 .020 毫米 0.5 表面粗糙度 英制 125 米制 3.2 米制尺寸显示在[]	绘图: PZ 批准: Tiger.Wang 第三角投影	04-12-2011 04-12-2011 图纸格式发布日期 02-22-2011 图纸格式版本 F	AC Smith Innovation has a name. ELECTRICAL PRODUCTS COMPANY A DIVISION OF A. O. SMITH CORPORATION	名称 图幅 C 图号 614131-106 比例 NONE 页号 1
		机密: 本图纸及相关信息所有权归A. O. SMITH公司所有。 未经A. O. SMITH公司书面授权, 不得泄露、复制、传播或作 其他用途。—版权所有			

4

3

2

1