

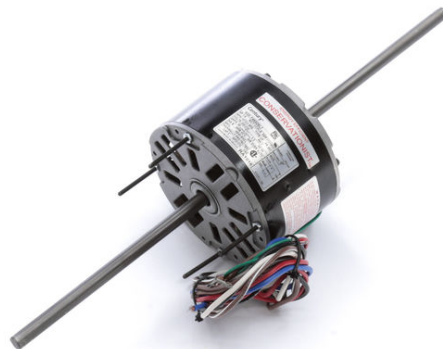
PRODUCT INFORMATION PACKET



Model No: RA1016

Catalog No: RA1016

1/6 HP Fan Coil / Room Air Conditioner Motor, 1075 RPM, 3 Speed, 208-230 Volts, 48 Frame, Semi Enclosed
Fan Coil / Room Air Conditioner Motors



Regal and Century are trademarks of Regal Beloit Corporation or one of its affiliated companies.
©2020 Regal Beloit Corporation, All Rights Reserved. MC017097E

REGAL



Nameplate Specifications

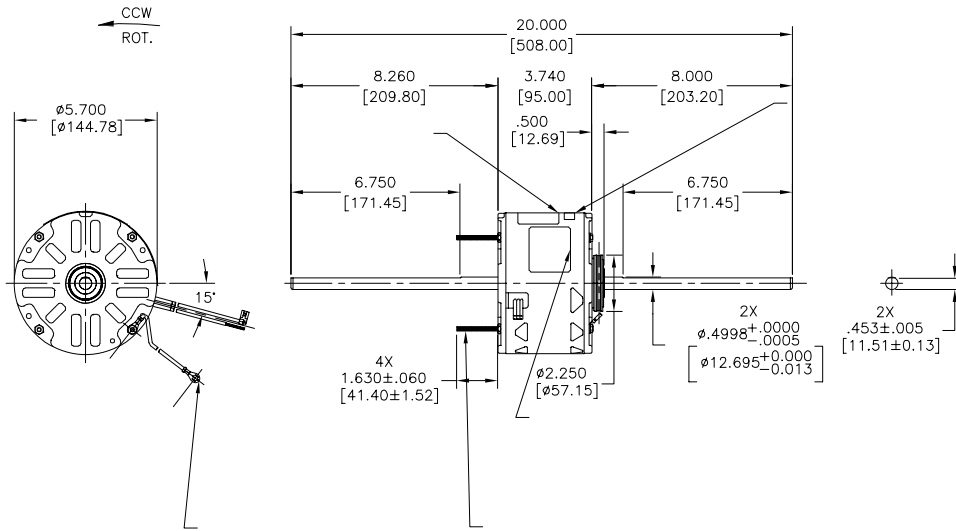
Output HP	1/6 Hp	Output KW	0.13 kW
Frequency	60 Hz	Voltage	208-230 V
Current	.96 A	Speed	1075 rpm
Service Factor	1	Phase	1
Duty	Air Over	Insulation Class	B
Frame	48Y	Enclosure	Semi Enclosed
Thermal Protection	Automatic	Ambient Temperature	40 °C
UL	Recognized	CSA	Y
CE	N		

Technical Specifications

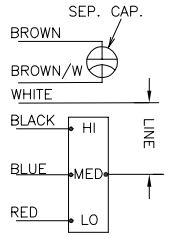
Electrical Type	Permanent Split Capacitor	Starting Method	Across The Line
Poles	6	Rotation	Counterclockwise Lead End
Mounting	Resilient Ring/Extended Studs	Motor Orientation	Horizontal
Drive End Bearing	Sleeve	Opp Drive End Bearing	Sleeve
Frame Material	Rolled Steel	Shaft Type	Flat
Overall Length	20.00 in	Frame Length	3.13 in
Shaft Diameter	0.500 in	Shaft Extension	8.3X.5X8.0 in
Outline Drawing	11773-002-S01	Connection Drawing	614131-106

This is an uncontrolled document once printed or downloaded and is subject to change without notice. Date Created:22/09/2020

版本	ECO	编制	日期	核准	日期
G	ECO-0042064	A.RODRIGUEZ	12-18-2013	T.REYES	12-18-2013



MODEL: F48SD6L7
 CUST. P/N: []
 HP: 1/6
 ROT: CCWLE
 RPM: 1075/3 SPD.
 TYPE: UF
 FRAME: 48Y
 VOLTS: 208-230
 PH: 1
 AMPS: 0.96 (1.2 MAX.)
 HZ: 60
 INS: B
 AMB: 40 °C
 DUTY: AIR OVER
 CAP.: 5 MFD/370V
 ENCL: SEMI-ENCL.
 CSA LOGO
 UL LOGO
 THERMALLY PROTECTED



614131-106

	29/31[737/787]	
	35/37[889/940]	
	35/37[889/940]	
	35/37[889/940]	
	35/37[889/940]	
	35/37[889/940]	
	35/37[889/940]	
COLOR		

DISTRIBUTION SERVICES

					CSA	
C23105	10.4 OZ. FT.	EX11274	E46412	PRGY2	LR43341	260-0-0

- 形位公差
 - 平面度
 - 直线度
 - ∠ 倾斜度
 - ⊥ 垂直度
 - ∥ 平行度
 - 圆度
 - ⊙ 圆柱度
 - ⊖ 圆轮廓度
 - ⊕ 圆跳动
 - ⊙ 位置度
 - ⊕ 同轴度
 - ⊖ 对称度
- ASME Y14.5M 1994

REGAL-BELOIT CORPORATION (RBC) 在个别领域为客户提供技术支持。鉴于RBC未收到任何涉及电机使用和应用环境的数据，电机的适用性由客户自己决定。

未注公差尺寸仅供参考。

除图:	MC NAME	04-14-1992
批准:	M. FRE	04-22-1992
第三角投影	图版格式发布日期	11-11-2011
	图版格式版本	H
机密: 本图纸及相关信息所有权归REGAL-BELOIT CORPORATION。未经REGAL-BELOIT CORPORATION书面授权, 不得泄露、复制或传播作其他用途。--版权所有		

REGAL REGAL-BELOIT CORPORATION

名称: MODEL-PFHP-48FR OUTLINE

图号: 11773-002

图幅: C

比例: NONE

页号: 1

REV	ECO	REV BY	DATE	APPD	DATE
G	ECO-0042064	A.RODRIGUEZ	12-18-2013	T.REYES	12-18-2013

GENERAL INFORMATION:

SHAFT RUNOUT: .001[.03] T.I.R. PER INCH LENGTH OF EXTENSION

END PLAY: .010[.25] TO .063[1.60]

BEARINGS: SLEEVE

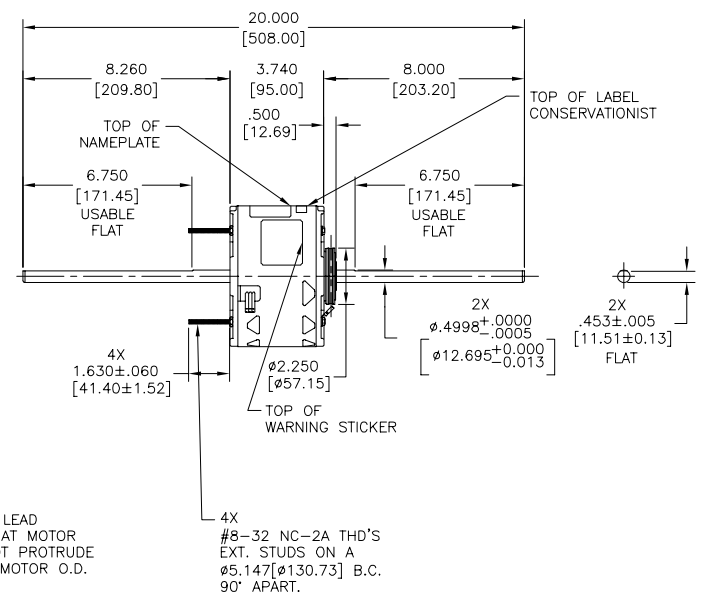
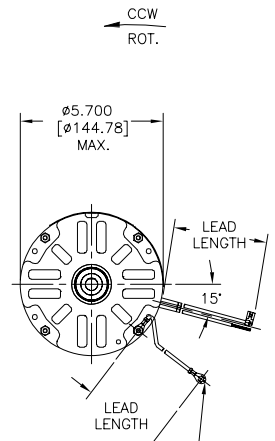
MOUNTING POSITION: HORIZONTAL

ELECTRICAL DATA:

OVERLOAD PROTECTOR: AUTOMATIC RESET (T.I. 7AM 036)

LEADS: NO. 18 GA., .06[1.5] THK. 105°C PVC INSUL.

GROUND LEAD: NO. 18 GA., .03[.8] THK., (GREEN) INSUL.



NAMEPLATE DATA: EXTERNAL CONNECTION DIAGRAM

MODEL: F48SD6L7
 CUST. P/N: []
 HP: 1/6
 ROT: CCWLE
 RPM: 1075/3 SPD.
 TYPE: UF
 FRAME: 48Y
 VOLTS: 208-230
 PH: 1
 AMPS: 0.96 (1.2 MAX.)
 HZ: 60
 INS: B
 AMB: 40°C
 DUTY: AIR OVER
 CAP.: 5 MFD/370V
 ENCL: SEMI-ENCL.
 CSA LOGO
 UL LOGO
 THERMALLY PROTECTED

614131-106

GREEN (GRD)	29/31[737/787]	#10 EYELET
BROWN/WHITE	35/37[889/940]	.25[6.4] FLAG
BROWN	35/37[889/940]	.25[6.4] FLAG
WHITE	35/37[889/940]	.60[15.2] SKIN
BLACK	35/37[889/940]	.60[15.2] SKIN
BLUE	35/37[889/940]	.60[15.2] SKIN
RED	35/37[889/940]	.60[15.2] SKIN

- NOTES:
- 615059-001 RESILIENT MOUNTING KIT TO BE PACKED WITH MOTOR
 - DISTRIBUTION PART NUMBER: RA1016
GRAINGER PART NUMBER: 4MA55

MAIN FRAME - OLE	SEMI-ENCLOSED
END FRAME - OLE	OPEN
MAIN FRAME - LE	SEMI-ENCLOSED
END FRAME - LE	OPEN

CUST.	DISTRIBUTION SERVICES
-------	-----------------------

PERFORMANCE CURVE NO.	TORQUE @1075 RPM (25°C)	APPROVED SAMPLE	UL COMPONENT FILE	CSA GUIDE FILE
C23105	10.4 OZ. FT.	EX11274	E46412	LR43341

COLOR	LENGTH	TERMINAL OR STRIP LENGTH
260-φ-0		

GEOMETRIC CHARACTERISTICS & SYMBOLS

- FLATNESS
- STRAIGHTNESS
- ANGULARITY
- PERPENDICULARITY (SQUARENESS)
- PARALLELISM
- ROUNDNESS (CIRCULARITY)
- CYLINDRICITY
- PROFILE OF ANY SURFACE
- PROFILE OF ANY LINE
- RUNOUT
- TRUE POSITION
- CONCENTRICITY
- SYMMETRY

ASME Y14.5M 1994

REGAL-BELOIT CORPORATION (RBC) PROVIDES TECHNICAL ASSISTANCE TO OUR CUSTOMERS IN SEVERAL AREAS. SINCE RBC DOES NOT RECEIVE ALL DATA CONCERNING THE USE AND APPLICATION OF THE MOTOR, THE SUITABILITY OF THE MOTOR FOR THE APPLICATION MUST BE DETERMINED BY THE CUSTOMER.

DIMENSIONS WITHOUT TOLERANCES ARE FOR REFERENCE ONLY.

DR BY: MC NAME 04-14-1992
 APPD: M. FRE 04-22-1992
 THRD ANGLE PROJECTION

EDS DATE 11-11-2011
 FORMAT REV H

CONFIDENTIAL: THIS DRAWING AND ITS INFORMATION ARE THE EXCLUSIVE AND CONFIDENTIAL PROPERTY OF REGAL-BELOIT CORPORATION AND ARE NOT TO BE DISCLOSED, DUPLICATED, DISTRIBUTED OR OTHERWISE USED WITHOUT THE WRITTEN CONSENT OF REGAL-BELOIT CORPORATION. -ALL RIGHTS RESERVED.

REGAL REGAL-BELOIT CORPORATION

DESCRIPTION: MODEL-PFHP-48FR OUTLINE

SIZE: C DWG NO: 11773-002

SCALE: NONE SHEET 1

REVISION:	ECO	REVISADO POR:	FECHA:	APROBADO POR:	FECHA:
G	ECO-0042064	A.RODRIGUEZ	12-18-2013	T.REYES	12-18-2013

INFORMACION GENERAL:

OSCILACION DE FLECHA: .001[.03] L.T.I. LONG. DE EXTENSION POR PULGADA

JUEGO AXIAL: .010[.25] A .063[1.60]

BALEROS: MANGA

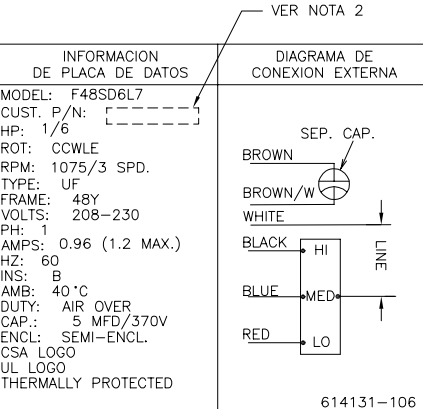
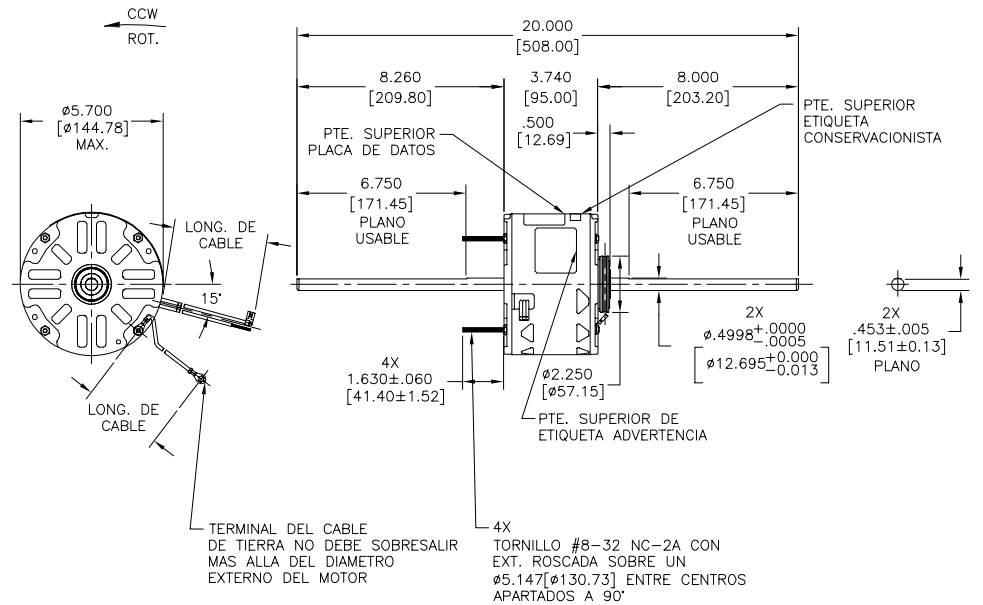
POSICION DEL MONTAJE: HORIZONTAL

INFORMACION ELECTRICA:

SOBRECARGA DEL PROTECTOR: REINICIO AUTOMATICO (T.I. 7AM 036)

CABLES: CAL. NO. 18, .06[1.5] ESP. 105°C PVC AISLAM.

CABLE DE TIERRA: CAL. NO. 18, .03[.8] ESP. (VERDE) AISLAM.



VERDE (TIERRA)	29/31[737/787]	#10 OJAL
CAFE/BLANCO	35/37[889/940]	.25[6.4] BANDERA
CAFE	35/37[889/940]	.25[6.4] BANDERA
BLANCO	35/37[889/940]	.60[15.2] DESFORRE
NEGRO	35/37[889/940]	.60[15.2] DESFORRE
AZUL	35/37[889/940]	.60[15.2] DESFORRE
ROJO	35/37[889/940]	.60[15.2] DESFORRE

- NOTAS:
- PAQUETE DE MONTAJE AJUSTABLE 615059-001 ES EMPACADO CON CADA MOTOR
 - NO. DE PARTE DE DISTRIBUCION: RA1016
NO. DE PARTE GRAINGER: 4MA55

CARCAZA PPAL.- OLE	SEMI-CERRADO
TAPA FINAL - OLE	ABIERTO
CARCAZA PPAL.- LE	SEMI-CERRADO
TAPA FINAL- LE	ABIERTO
TIPO DE MOTOR	

CLIENTE	DISTRIBUTION SERVICES
---------	-----------------------

COMPONENTE UL	CSA
#ARCHIVO	#ARCHIVO
PRGY2	LR43341
E46412	260-0-0

REGAL-BELOIT CORPORATION (RBC) PROVEE ASISTENCIA TECNICA A NUESTROS CLIENTES EN VARIAS AREAS. DESDE QUE RBC NO RECIBE TODOS LOS DATOS EN RELACION AL USO Y LA APLICACION DEL MOTOR, LA APLICACION ADECUADA DEL MOTOR DEBE SER DETERMINADA POR EL CLIENTE.

DIMENSIONES SIN TOLERANCIA SON DE REFERENCIA SOLAMENTE

DIBUJADO POR: MC NAMEE 04-14-1992

APROBADO POR: M. FRE 04-22-1992

FECHA EDS: 11-11-2011
REV. FORMATO: H

CONFIDENCIAL: ESTE DIBUJO Y SU INFORMACION SON PROPIEDAD DE USO EXCLUSIVO Y CONFIDENCIAL DE REGAL-BELOIT CORPORATION. Y NO DEBERAN SER REVELADOS, DUPLICADOS, DISTRIBUIDOS O USARSE DE OTRA MANERA SIN EL CONSENTIMIENTO ESCRITO DE REGAL-BELOIT CORPORATION. -TODOS LOS DERECHOS RESERVADOS.

REGAL REGAL-BELOIT CORPORATION

DESCRIPCION: MODEL-PFHP-48FR OUTLINE

TAMAÑO: C NUMERO DE DIBUJO: 11773-002

ESCALA: NONE HOJA: 1

CURVA DE FUNCIONAM.	TORSION @1075 RPM (25°C)	MUESTRA APROBADA
C23105	10.4 OZ. FT.	EX11274

CARACTERISTICAS DE GEOMETRIA Y SIMBOLOS

- PLANICIDAD
- RECTITUD
- ANGULARIDAD
- PERPENDICULARIDAD (A ESQUADRA)
- PARALELISMO
- REDONDEZ (CIRCULARIDAD)
- CILINDRICIDAD
- PERFIL DE CUALQUIER SUPERFICIE
- PERFIL DE CUALQUIER LINEA
- VARIACION
- POSICION REAL
- CONCENTRICIDAD
- SIMETRIA

ASME Y14.5M 1994

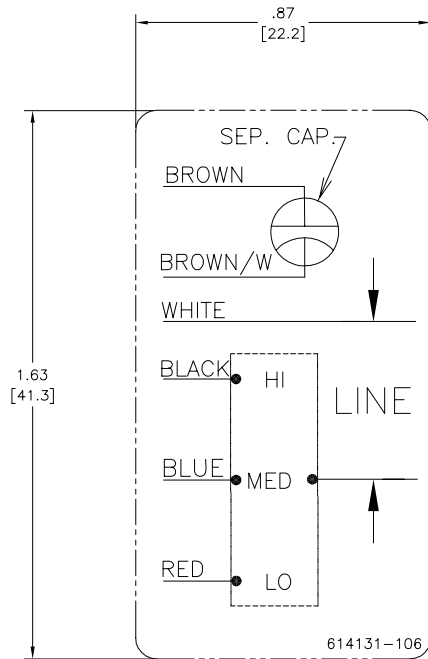
4

3

2

1

REV	ECO	REV BY	DATE	APPD	DATE
C	0019808	PZ	04-12-2011	Tiger.Wang	04-12-2011



NOTES:

1. FOR USE WITH 614129 OR 2513020-001 NAMEPLATE BLANKS
2. _____ INDICATES DIMENSION LIMITS

GEOMETRIC CHARACTERISTICS & SYMBOLS	
	FLATNESS
	STRAIGHTNESS
	ANGULARITY
	PERPENDICULARITY (SQUARENESS)
	PARALLELISM
	ROUNDNESS (CIRCULARITY)
	CYLINDRICITY
	PROFILE OF ANY SURFACE
	PROFILE OF ANY LINE
	RUNOUT
	TRUE POSITION
	CONCENTRICITY
	SYMMETRY

UNLESS OTHERWISE SPECIFIED DIM. TOLERANCES ARE AS FOLLOWS:	
INCH	$\pm .1$ $\pm .02$ $\pm .005$ $\pm .0005$
mm	± 0.5 ± 0.13 ± 0.013
ANG. $\pm .50$ DEG	
REMOVE BURRS & BREAK SHARP EDGES:	
INCH	.003-015
mm	0.1-0.4
CORNER FILLETS TO:	
INCH	.020
mm	0.5
MACHINE SURFACES:	
INCH	125
mm	3.2
METRIC DIMS. SHOWN IN [BRACKETS]	

DR BY:	PZ	04-12-2011
APPD:	Tiger.Wang	04-12-2011
THIRD ANGLE PROJECTION		EDS DATE 02-22-2011 FORMAT REV F
CONFIDENTIAL: THIS DRAWING AND ITS INFORMATION ARE THE EXCLUSIVE AND CONFIDENTIAL PROPERTY OF A.O. SMITH CORP. AND ARE NOT TO BE DISCLOSED, DUPLICATED, DISTRIBUTED OR OTHERWISE USED WITHOUT THE WRITTEN CONSENT OF A.O. SMITH CORP. -ALL RIGHTS RESERVED.		
ASME Y14.5M 1994		

	ELECTRICAL PRODUCTS COMPANY A DIVISION OF A.O. SMITH CORPORATION
DESCRIPTION CONN DIAGRAM-NAMEPLATE	
SIZE C	DWG NO 614131-106
SCALE NONE	SHEET 1

4

3

2

1

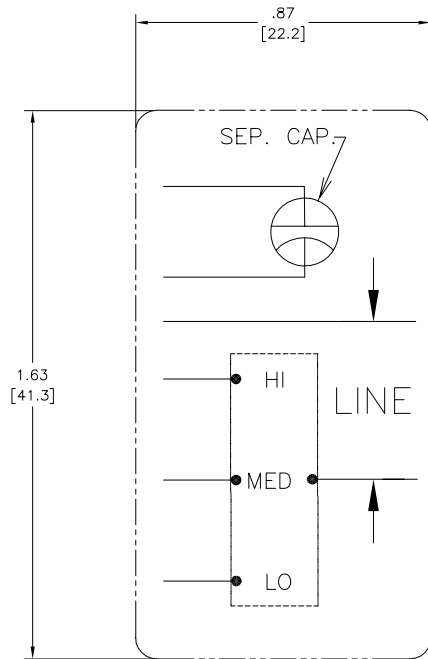
4

3

2

1

REVISION:	ECO	REVISADO POR:	FECHA:	APROBADO POR:	FECHA:
C	0019808	PZ	04-12-2011	Tiger.Wang	04-12-2011



CARACTERISTICAS DE GEOMETRIA Y SIMBOLOS ▽ PLANICIDAD — RECTITUD ∠ ANGULARIDAD ⊥ PERPENDICULARIDAD (A ESQUADRA) // PARALELISMO ○ REDONDEZ (CIRCULARIDAD) ⦶ CILINDRICIDAD ⊖ PERFIL DE CUALQUIER SUPERFICIE ∩ PERFIL DE CUALQUIER LINEA † VARIACION ⊕ POSICION REAL ⊙ CONCENTRICIDAD ≡ SIMETRIA	A MENOS QUE SE ESPECIFIQUE DE OTRA MANERA, LAS TOLERANCIAS DE LAS DIMS. SON LAS SIGUIENTES: PULG ±.1 ±.02 ±.005 ±.0005 mm ±0.5 ±0.13 ±0.013 ANG. ±50 GRADOS ELIMINAR REBABAS Y ORILLAS FILOSAS DEL BORDE. PULG .003-.015 mm 0.1-0.4 FILETEAR ESQUINA: PULG .020 mm 0.5 MAQUINAR SUPERFICIES PULG 125 mm 3.2 DIMS METRICAS MOSTRADAS [PARENTESIS]	DIBUJADO POR: PZ	04-12-2011	ELECTRICAL PRODUCTS COMPANY A DIVISION OF A.O. SMITH CORPORATION
		APROBADO POR: Tiger.Wang	04-12-2011	
TERCER ANGULO DE PROYECCION		FECHA EDS: 02-22-2011 REV. FORMATO: F	TAMAÑO: C	NUMERO DE DIBUJO: 614131-106
CONFIDENCIAL: ESTE DIBUJO Y SU INFORMACION SON PROPIEDAD DE USO EXCLUSIVO Y CONFIDENCIAL DE A.O.SMITH CORP. Y NO DEBERAN SER REVELADOS, DUPLICADOS, DISTRIBUIDOS O USARSE DE OTRA MANERA SIN EL CONSENTIMIENTO ESCRITO DE A.O. SMITH CORP. -TODOS LOS DERECHOS RESERVADOS.ASME Y14.5M 1994		ESCALA: NONE	HOJA: 1	

4

3

2

1

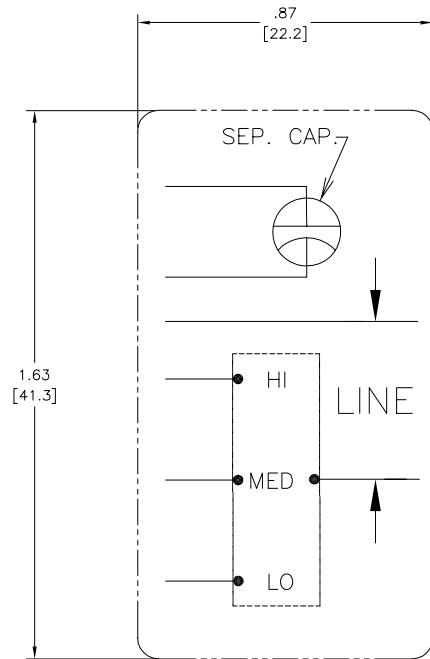
4

3

2

1

版本	ECO	编制	日期	批准	日期
C	0019808	PZ	04-12-2011	Tiger.Wang	04-12-2011



形位公差 □ 平面度 — 直线度 ∠ 倾斜度 ⊥ 垂直度 // 平行度 ○ 圆度 ⊙ 圆跳动 Ⓜ 面轮廓度 Ⓡ 线轮廓度 Ⓢ 圆跳动 Ⓣ 位置度 Ⓤ 同轴度 ≡ 对称度	除另有注明 尺寸公差如下: 英寸 X XX XXX XXXX 毫米 ±.1 ±.02 ±.005 ±.0005 角度 ±.50 度 清理毛刺和尖棱 英寸 .003-.015 毫米 0.1-0.4 内圆角 英寸 .020 毫米 0.5 表面粗糙度 英制 125 米制 3.2 米制尺寸显示在[]	绘图: PZ 批准: Tiger.Wang 第三角投影	04-12-2011 04-12-2011 图纸格式发布日期 02-22-2011 图纸格式版本 F	AC Smith Innovation has a name. ELECTRICAL PRODUCTS COMPANY A DIVISION OF A. O. SMITH CORPORATION	名称 图幅 C 图号 614131-106 比例 NONE 页号 1
		机密: 本图纸及相关信息所有权归A. O. SMITH公司所有。 未经A. O. SMITH公司书面授权, 不得泄露、复制、传播或作 其他用途。—版权所有			

4

3

2

1