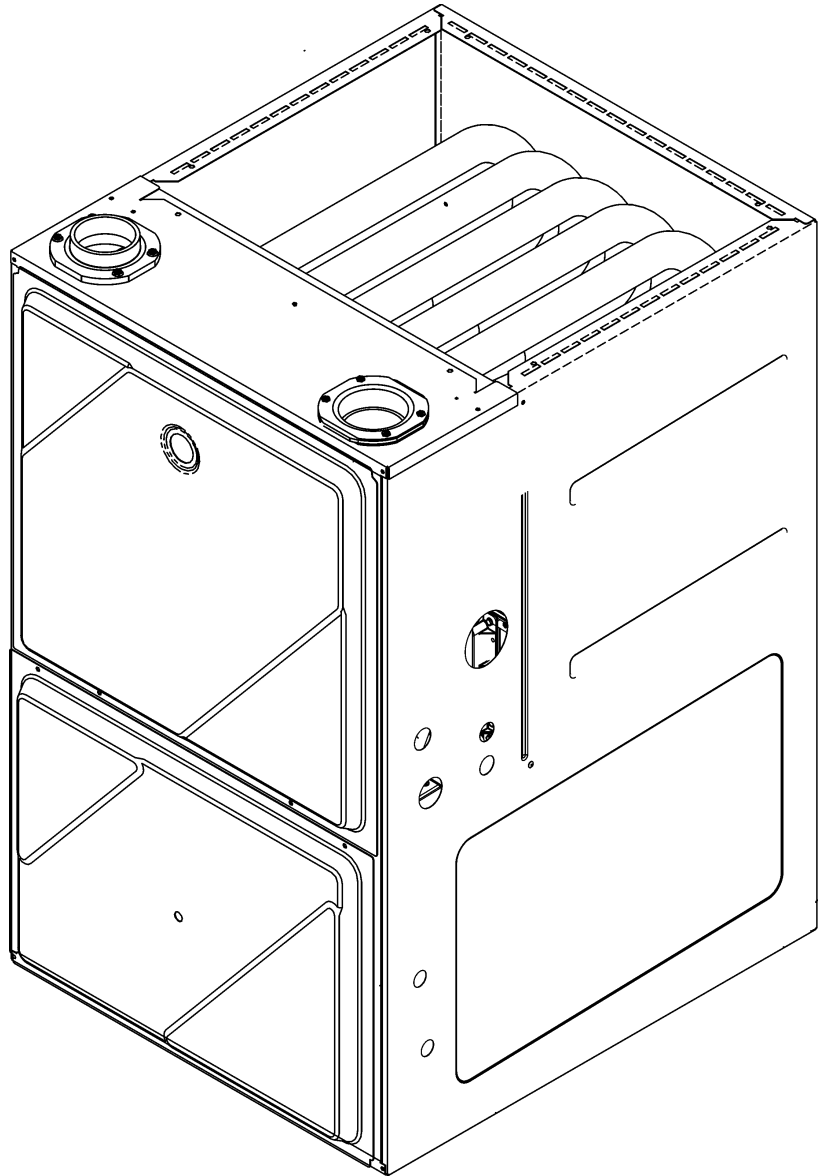


## GMVC 96% ECM Up Flow Furnace

GMVC961005DNAA



This manual is to be used by qualified technicians only.

© 2017 Goodman Manufacturing Company, L.P. ♦ 5151 San Felipe St., Suite 500 ♦ Houston, TX 77056

# Important Information

---

## Index

Functional Parts List .....	3
Illustration and Parts .....	4 - 11

*Views shown are for parts illustrations only, not servicing procedures*

### Text Codes:

AR - As Required

NA - Not Available

NS - Not Shown

00000000 - See Note

QTY - Quantity Example (QTY 3) (If Quantity not shown, Quantity = 1)

M - Model Example (M1) (If M Code not shown, then part is used on all Models)

### Expanded Model Nomenclature:

Example M1 - Model#1 M2 - Model#2 M3 - Model#3
---

Goodman Manufacturing Company, L.P. is not responsible for personal injury or property damage resulting from improper service. Review all service information before beginning repairs.

Warranty service must be performed by an authorized technician, using authorized factory parts. If service is required after the warranty expires, Goodman Manufacturing Company, L.P. also recommends contacting an authorized technician and using authorized factory parts.

Goodman Manufacturing Company, L.P. reserves the right to discontinue, or change at any time, specifications or designs without notice or without incurring obligations.

For assistance within the U.S.A. contact:  
Homeowner Support  
Goodman Manufacturing Company, L.P.  
19001 Kermier Road  
Waller, Texas 77484  
877-254-4729-Telephone  
713-863-2382-Facsimile

For assistance outside the U.S.A. contact:  
International Division  
Goodman Manufacturing Company, L.P.  
19001 Kermier Road  
Waller, Texas 77484  
713-861-2500-Telephone  
713-863-2382-Facsimile

# Functional Parts

## Part

## No: Description:

---

0163F00017	BECKETT BURNER (QTY 5)
0271F00163	BLOWER SHELL & WHEEL ASSY
0130F00588	DATA, FURNACE PCB
0130F00010	FLAME SENSOR
0151M00027	GAS VALVE
0257F00440	HEAT EXCHANGER ASSY.
0130F00008	IGNITOR-SINI 17 SEC
0130M00141	INDUCTOR, 5.9 AMPS (GMPE100-4)
0130M00243	INTERLOCK SWITCH
10123527	MANUAL RESET LIMIT - ROS (QTY 2)
0131M00272	MOTOR, 1 HP, SERIAL ECM
0171M00002	MOTOR-ID, BLOWER
PCBKF105	PCB CONTROL BOARD
0130F00443	PRESSURE SWITCH
0130F00429	PRESSURE SWITCH
0130F00038	PRIMARY LIMIT - LT BLUE 120° (AUX) (QTY 2)
0130F00036	PRIMARY LIMIT - PINK 180°
0130M00140	TRANSFORMER 120V TO 24V, 40VA

### SPECIAL PARTS

0161F00000P GOODMAN NAMEPLATE

### Expanded Model Nomenclature

M1 - GMVC961005DNAA
---------------------

# Cabinet Assembly

IMAGE 1

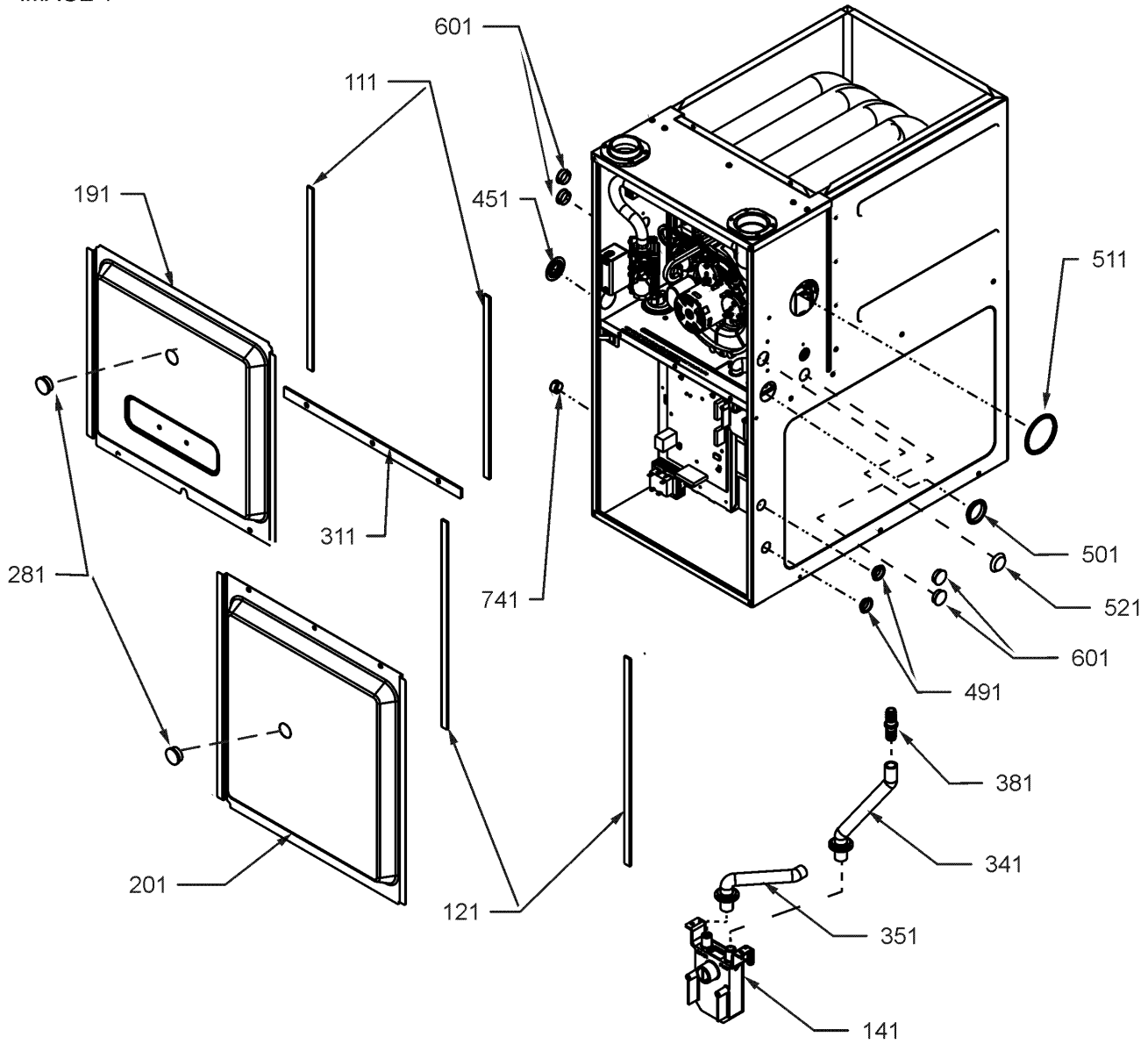
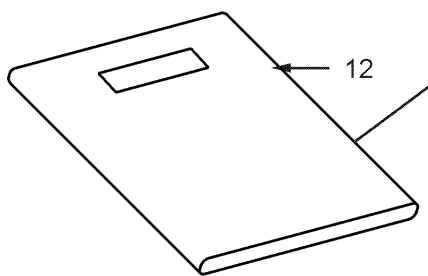
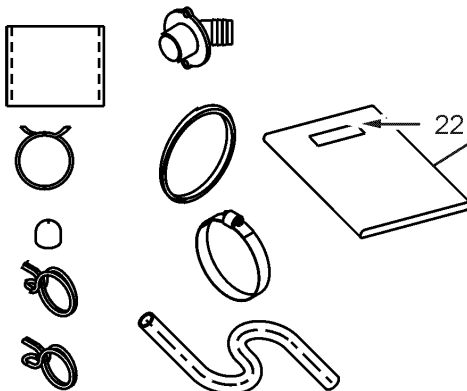


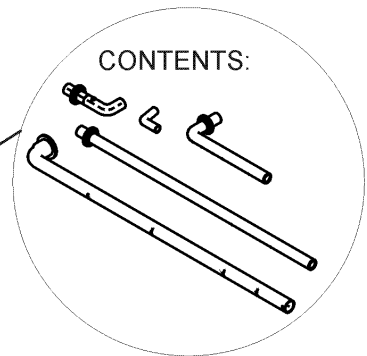
IMAGE 2



CONTENTS:



CONTENTS:



# Cabinet Assembly

<b>Ref. Part No: No:</b>	<b>Description:</b>	<b>Ref. Part No: No:</b>	<b>Description:</b>
<b>Image 1:</b>			
111	0154F00024		GASKET (QTY 2)
121	0154F00025		GASKET (QTY 2)
141	0161F00046		DRAIN TRAP
191	0121F00293DG		DOOR, ACCESS 24.5 PNT
201	0121F00290DG		DOOR, BLOWER 24.5 PNT
281	B1392139		VIEW PORT BUSHING-BLOWER DOOR (QTY 2)
311	0154F00022		GASKET, DECK
341	0164F00017		HOSE-ELBOW/TRAP
351	0164F00006		HOSE, COVER/TRAP
381	0161F00047		COUPLING, HOSE BARBED
451	M0501301		PIPE GROMMET
491	M0570808		BUTTON PLUG (QTY 3)
501	M0570806		BUTTON PLUG
511	M0570807		BUTTON PLUG
521	0161M00027		PLUG, HOLE
601	B1392021		PLASTIC PLUG, 1" (2713-BLK) (QTY 4)
741	B1392104		UNIVERSAL BUSHING UB 875
NS	M0310345		BUTTON PLUG (QTY 2)
NS	0163M00049		CLAMP HOSE (QTY 2)
NS	0161F00000P		GOODMAN NAMEPLATE
NS	M0209730		SCREW-DECORATIVE (QTY 3)

## **Image 2:**

12	0270F03140		DRAIN PART BAG ASSY UF
22	0270F03667		BAG ASSY UF

## **Expanded Model Nomenclature**

M1 - GMVC961005DNAA

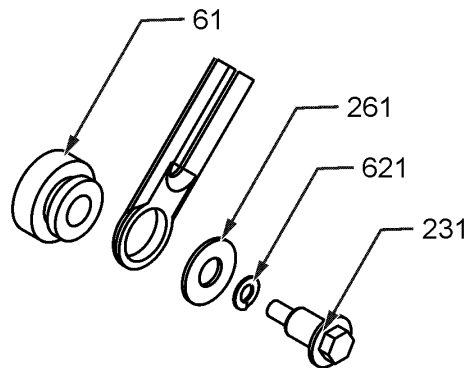
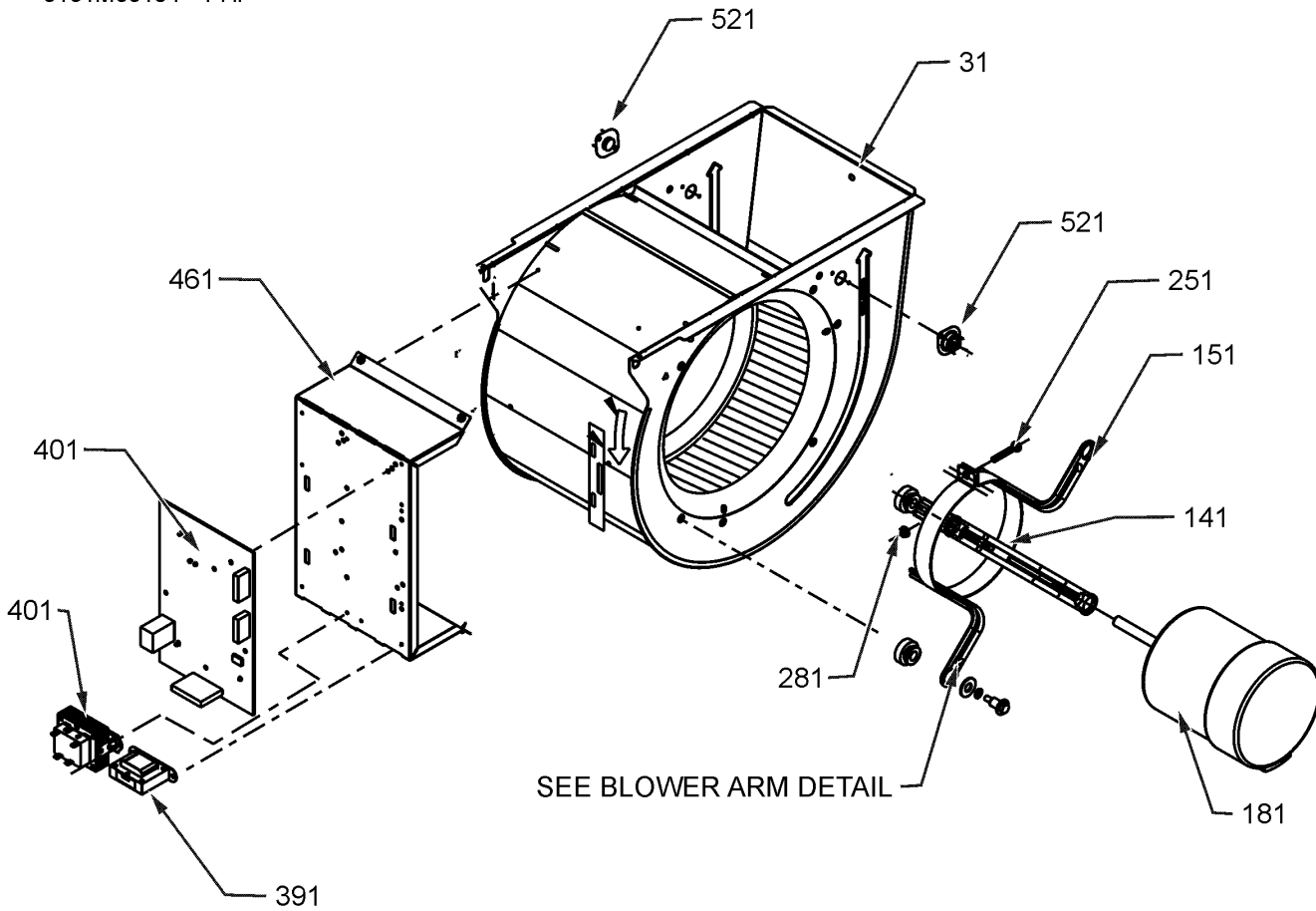
# Blower Assembly

\*If end bells are needed please order the following:

0131M00182 - 1/2 HP

0131M00183 - 3/4 HP

0131M00184 - 1 HP



BLOWER ARM DETAIL

# Blower Assembly

Ref. Part No: No:	Description:	Ref. Part No: No:	Description:
-------------------	--------------	-------------------	--------------

---

**Image 1:**

31	0271F00163	BLOWER SHELL & WHEEL ASSY
61	A4002702	BLOWER MOTOR GROMMET (QTY 4)
141	10441601	MOTOR MOUNT BAND
151	10441501	MOTOR MOUNT ARM (QTY 4)
181	0131M00272	MOTOR, 1 HP, SERIAL ECM
231	0163F00028	SCREW (QTY 4)
251	M0267144	MACHINE SCREW
261	M0274008	WASHER-FLAT (QTY 4)
281	M0282015	KEPS NUT
381	0130M00140	TRANSFORMER 120V TO 24V, 40VA
391	0130M00141	INDUCTOR, 5.9 AMPS (GMPE100-4)
401	PCBKF105	PCB CONTROL BOARD
461	0121F00464	MOUNTING PLATE-CONTROLS
521	0130F00038	PRIMARY LIMIT - LT BLUE 120° (AUX) (QTY 2)
621	B1392820	WASHER, SPLIT LOCK 1/4 BZ (QTY 4)
NS	0259F00040	CONTROL HARNESS
NS	0130F00588	DATA, FURNACE PCB
NS	B1392021	PLASTIC PLUG, 1" (2713-BLK) (QTY 4)
NS	0259F00041	POWER HARNESS HIGH VOLTAGE
NS	0259F00024	WIRE HARNESS-BLOWER

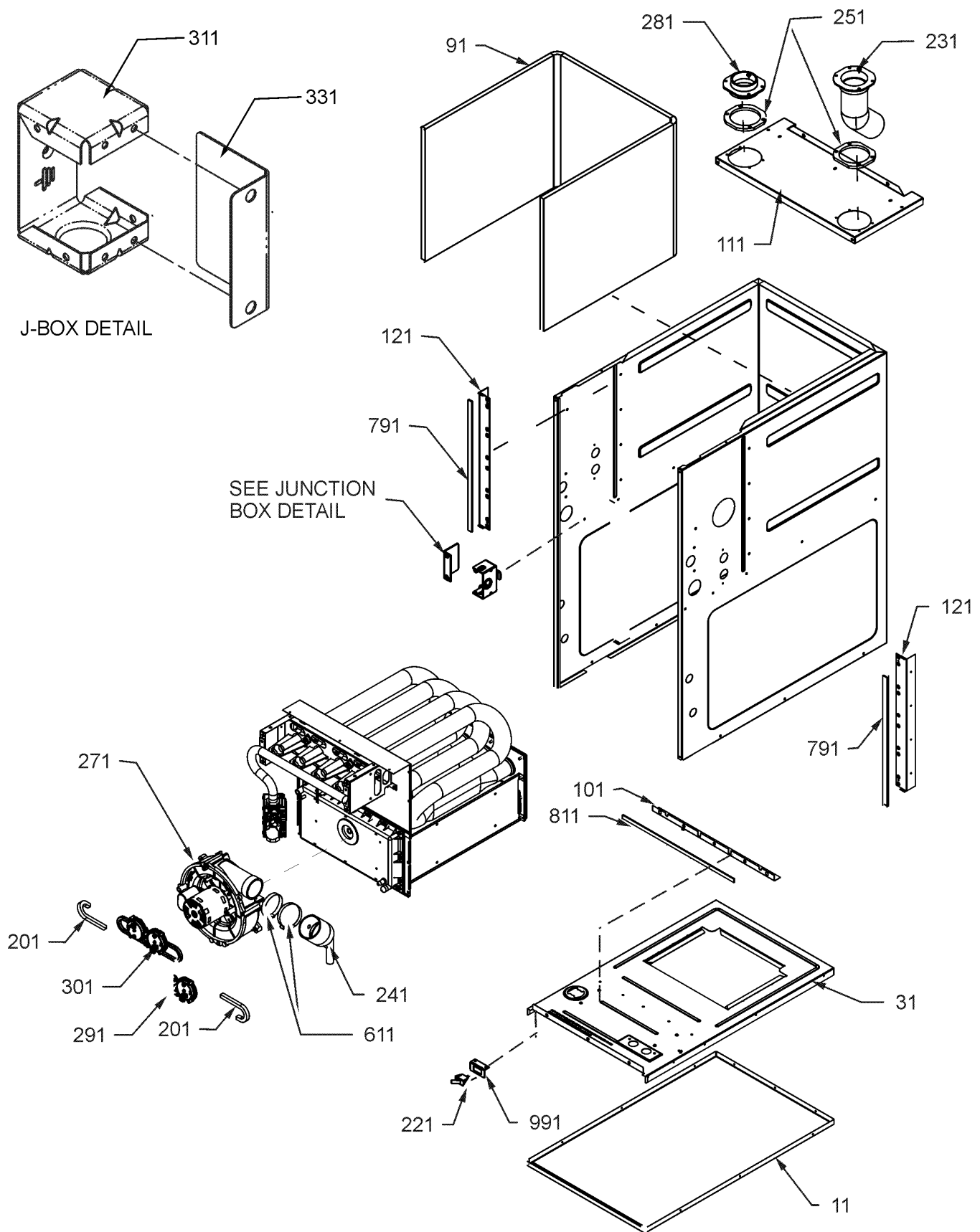
**Expanded Model Nomenclature**

M1 - GMVC961005DNAA

\*If end bells are needed please order the following:

- 0131M00182 - 1/2 HP
- 0131M00183 - 3/4 HP
- 0131M00184 - 1 HP

# Chassis Assembly





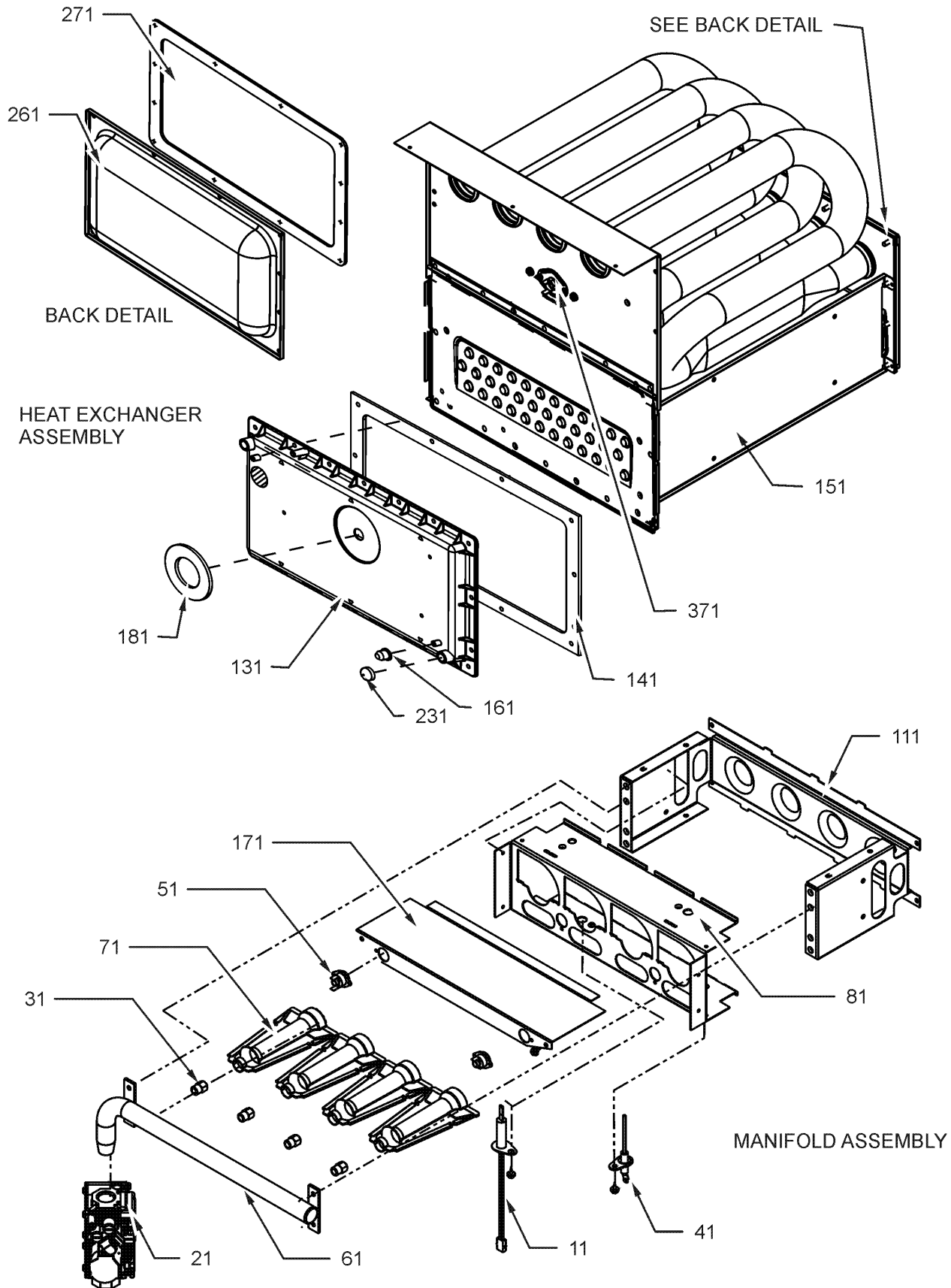
# Chassis Assembly

Ref. Part No:	No:	Description:	Ref. Part No:	No:	Description:
<b>Image 1:</b>					
11	0121F00532DG	BASEPAN, 24.5 PNT			
31	0121F00535	DECK-BLOWER 24.5"			
91	0160F00017	INSULATION, HT EXCHANGER 24.5"			
101	0121F00316	ANGLE, DECK			
111	0121F00281DG	PAINTED TOP, FURNACE 24.5			
121	0121F00313	ANGLE, SIDE (QTY 2)			
201	0164M00019	HOSE-PRESSURE SW 6" (QTY 2)			
221	0130M00243	INTERLOCK SWITCH			
231	0164F00002	FLUE PIPE W/BEND			
241	0164F00001	ELBOW-FLUE, UPFLOW			
251	0154F00041	FRESH AIR GASKET (QTY 2)			
271	0171M00002	MOTOR-ID, BLOWER			
281	0161F00037	COUPLING			
291	0130F00429	PRESSURE SWITCH			
301	0130F00443	PRESSURE SWITCH			
311	0161F00042	JUNCTION BOX PLA			
331	0161F00043	JUNCTION BOX LID			
611	0163M00049	HOSE CLAMP (QTY 2)			
791	0154F00015	GASKET (QTY 2)			
811	20194607	GASKET			
991	0121F00389	BRACKET, DOOR SWITCH			
NS	0159F00071	HARNESS, WIRING			
NS	M0326804	TUBE PLUG			

## Expanded Model Nomenclature

M1 - GMVC961005DNAA

# Heat Exchanger / Manifold / Gas Valve



# Heat Exchanger / Manifold / Gas Valve

Ref. Part No: No:	Description:	Ref. Part No: No:	Description:
<i>Image 1:</i>			
11	0130F00008		IGNITOR-SINI 17 SEC
21	0151M00027		GAS VALVE
31	10716005		ORIFICE (QTY 5)
41	0130F00010		FLAME SENSOR
51	10123527		MANUAL RESET LIMIT - ROS (QTY 2)
61	0163F00010		MANIFOLD
71	0163F00017		BECKETT BURNER (QTY 5)
81	0121F00453		BRACKET-BURNER 5
111	0121F00466		ORIFICE BRACKET-BURNER 5
131	0161F00084		COVER, FRONT
141	0154F00034		GASKET FRONT COVER
151	0257F00440		HEAT EXCHANGER ASSY.
161	M0326804		TUBE PLUG
171	0121F00542		SHIELD, BURNER
181	0154F00043		GASKET ID BLOWER
231	A1781105		CAP-VINYL .500
261	0121F00319		COVER, REAR
271	0154F00039		GASKET, REAR CVR
371	0130F00036		PRIMARY LIMIT - PINK 180°
NS	0121F00585		INSULATION, RETAINER
NS	0121F00439		PRIMARY LIMIT-HEAT SHIELD
NS	0121F00355		SHIELD, COIL (QTY 2)

## Expanded Model Nomenclature

M1 - GMVC961005DNAA