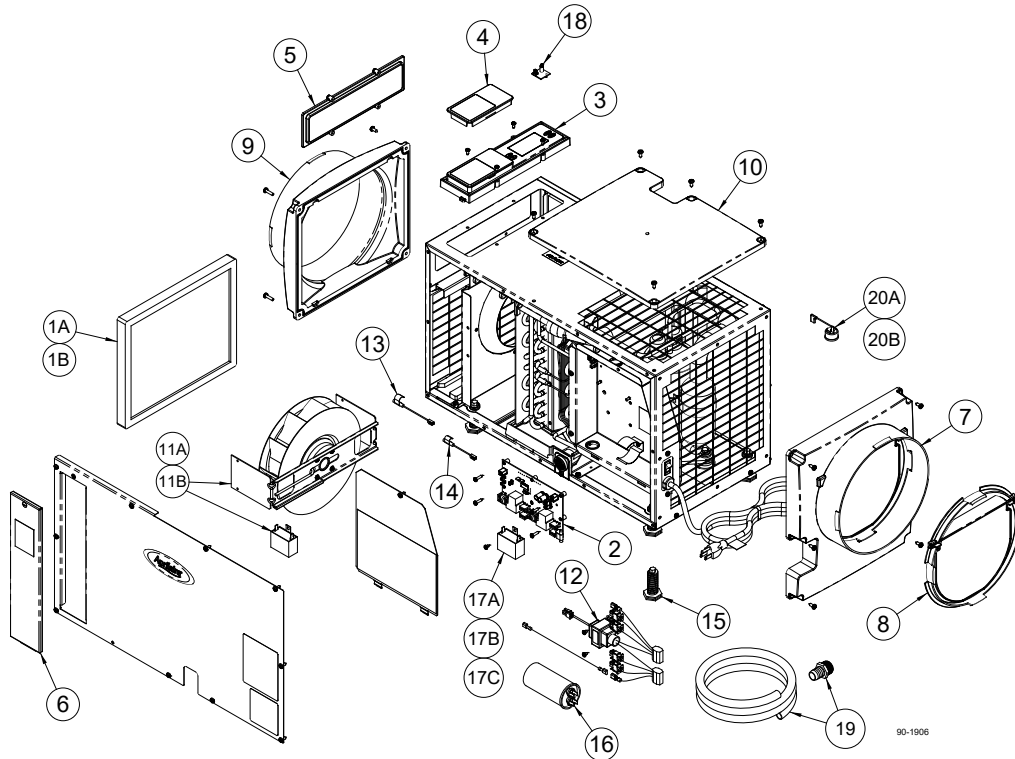


## Dehumidifiers Dealer Parts List

### Model 1830/1830W/1850/1850F/1850W/1852 Dehumidifiers

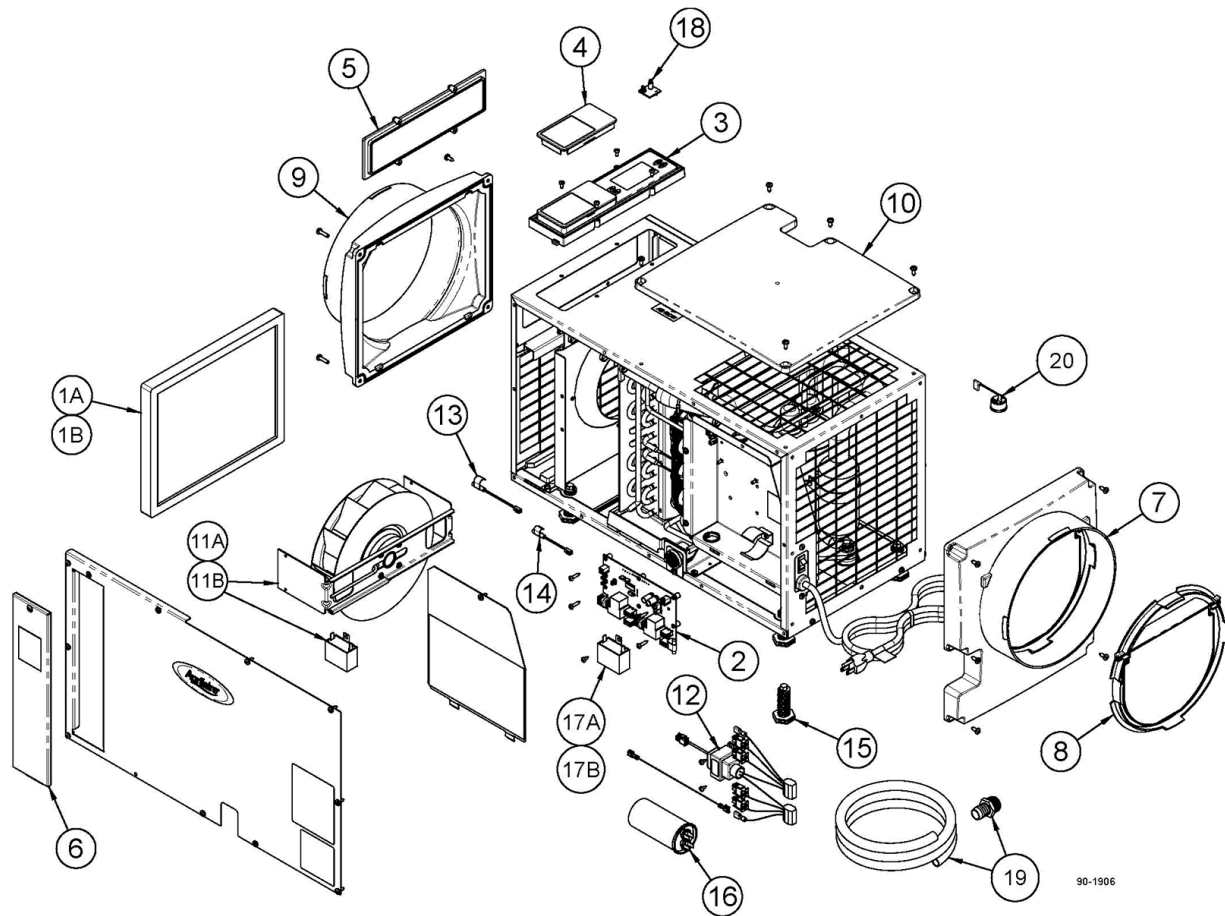


NO.	PART DESCRIPTION	QTY/CTN	PART NO.
1A	Filter, 10" x 12" x 1" EZK (1830, 1850 & 1852)*	1	5443
1B	Filter, 12" x 12" x 1" EZK (1850F Only)	1	5499
2	Internal Control Board	1	5444
3	User Interface Assembly	1	5445
4	Wiring Access Door	1	5446
5	UI Control Hole Cover	1	5447
6	Filter Access Door (1830 & 1850)	1	5448
7	Outlet Duct Panel	1	5449
8	10" Backflow Damper	1	5450
9	Inlet Duct Panel	1	5451
10	Outlet Cover	1	5452
11A	70 Pint Dehumidifier Fan	1	5453
11B	95 Pint Dehumidifier Fan	1	5467
12	Transformer and Wire Harness	1	5454
13	Low Temperature Sensor	1	5455
14	High Temperature Sensor	1	5456
15	Leveling Foot*	1	5457
16	Compressor Run Capacitor, 70pt/95pt, 45MFD, 370VAC	1	5458
17A	Fan Run Capacitor, 8MFD, 450VAC, Used on Model 1830 with Serial Number Before 112015A09596	1	5459
17B	Fan Run Capacitor, 6MFD, 250VAC, Used on Model 1830(W) with Serial Number 112015A09596 or Later	1	5582
17C	Fan Run Capacitor, 12MFD, 250VAC, Used on Models 1850(F)(W) & 1852	1	5468
18	RH Sensor used on models with detachable Temp/RH daughter board	1	5460
19	Drain Tube + Fittings**	1	See Page 3 for Details
20A	Compressor Overload Switch, 70pt	1	5547
20B	Compressor Overload Switch, 95pt	1	5548
<b>OTHER PARTS (NOT SHOWN)</b>			
	Low Profile Condensate Pump	1	4856
	Basement Kit (2-10" N/O Dampers, 2-10" N/C Dampers & 1 Transformer)	1	5442
	Digital Dehumidifier Control (for All Current Dehumidifiers)	1	76
	Living Space Duct Kit (25' of Insulated Flex Duct with 2 Quick Install Grilles and 2 Reducers)	1	5546
	Dehumidifier Hanging Kit	1	5660
	Hanging Kit for 1800 Series Dehumidifiers	1	5822

\* Not Compatible with 1850F

\*\*Drain Tube Only Included with 1850F & 1852

## Model 1870/1870F/1870W/1872 Dehumidifiers



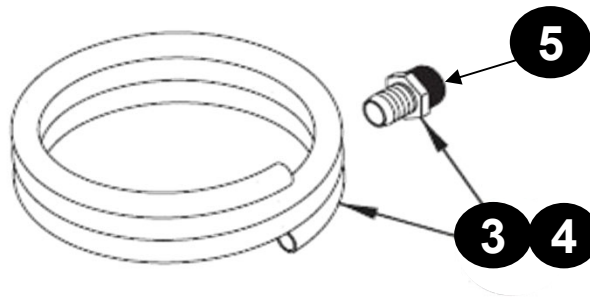
90-1806

NO.	PART DESCRIPTION	QTY/CTN	PART NO.
1A	Filter, 14" x 19" x 1" EZK (1870 & 1872) <sup>1</sup>	1	5569
1B	Filter, 16" x 19" x 1" EZK (1870F)	1	5570
2	Internal Control Board	1	5444
3	User Interface Assembly	1	5445
4	Wiring Access Door	1	5446
5	Hole Cover, UI Ctrl	1	5447
6	Door, Filter Access	1	5571
7	Outlet Duct Panel	1	5449
8	Backflow Damper, 10"	1	5450
9	Inlet Duct Panel	1	5451
10	Cover, Outlet	1	5452
11A	Fan, 130pt, with 10MFD Capacitor (1870)	1	5572
11B	Capacitor, 10MFD, 250V	1	5573
12	Wire Harness, Power	1	5454
13	Sensor, Low Temperature	1	5455
14	Sensor, High Temperature	1	5456
15	Leveling Foot <sup>1</sup>	1	5457
16	Capacitor, 50MFD, 370VAC	1	5594
17A	Capacitor, 10MFD, 250VAC	1	5573
17B	Capacitor, 8MFD, 450VAC for the Model 1870F with a release date before May 2016	1	5459
18	RH Sensor used on models with detachable Temp/RH daughter board	1	5460
19	Drain Tube + Fitting <sup>2</sup>	1	See Page 3 for Details
20	Compressor Overload Switch	1	5574
<b>OTHER PARTS (NOT SHOWN)</b>			
	Hanging Kit for 1870 Series Dehumidifiers	1	5691
	Hanging Kit for 1800 Series Dehumidifiers	1	5822

<sup>1</sup> Not Compatible with 1870F

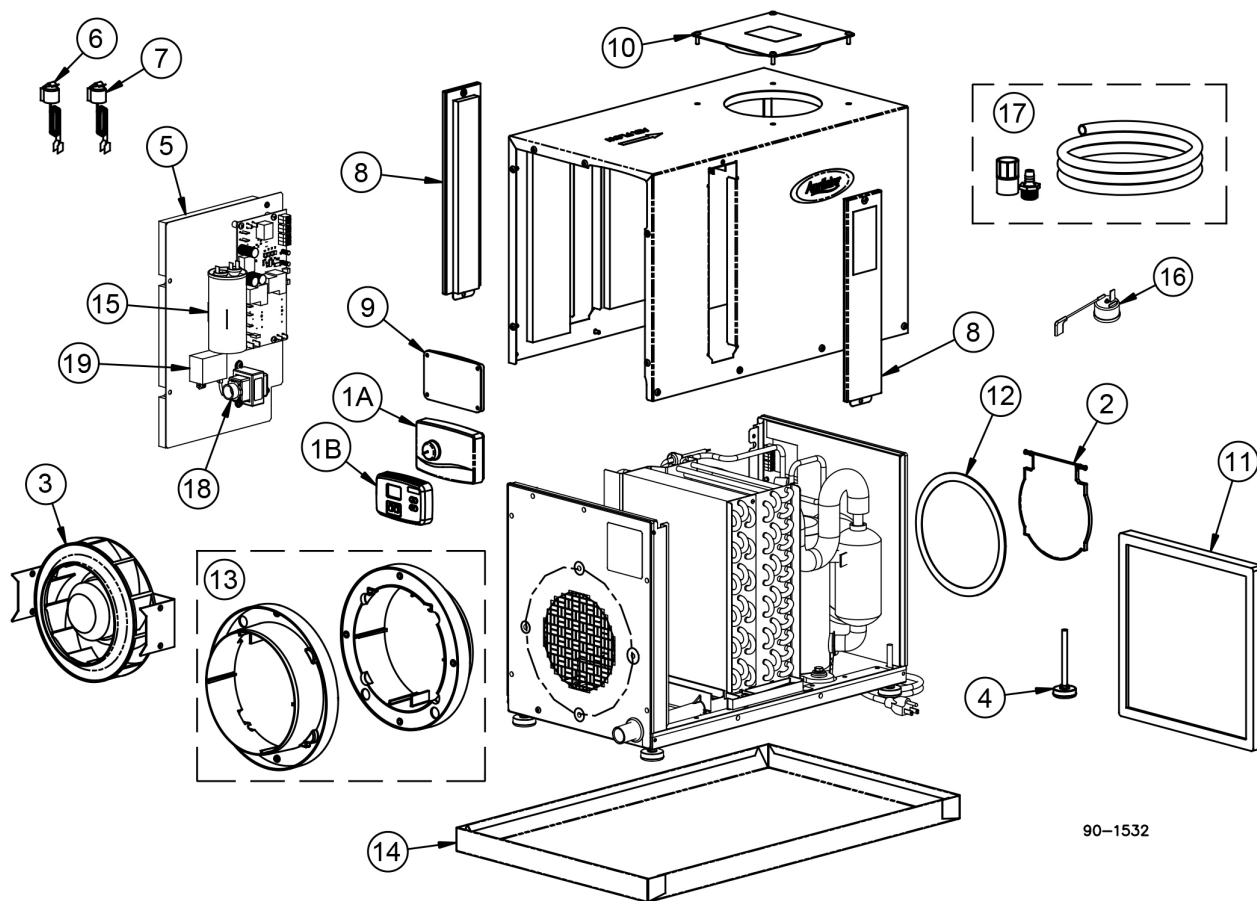
<sup>2</sup> Drain tube only included with 1870F & 1872

## Drain Fittings for Model 1820/1830/1850/1870 Series Dehumidifiers



NO.	PART DESCRIPTION	QTY/CTN	PART NO.
1	Original Drain Fittings, 1/2 MNPT x 1/2 Barb & 3/4 M Slip x 1/2 FNPT Reducer	1	5461
2	2nd Generation Drain Fitting, Custom Outlet Barb 3/4 M Slip x 1/2 Barb	1	5585
3	New Threaded Fitting, 3/4" MNPT x 3/4" Barb, with 5ft of 3/4" Drain Tube (Obsolete)	1	5665
4	New Threaded Fitting, 3/4" MNPT x 3/4" Barb, with 10ft of 3/4" Drain Tube	1	5692
5	New Threaded Fitting, 3/4" MNPT x 3/4" Barb (Fitting Only)	1	5693

## Model 1730A with R410A Dehumidifier



NO.	PART DESCRIPTION	QTY/CTN	PART NO.
1A	Dehumidistat Control Assembly (Obsolete)	1	4917
1B	Digital Dehumidifier Control	1	76
2	Backflow Damper	1	4918
3	Impeller with Bracket (Blower Assembly) <sup>3</sup>	1	5332
4	Leveling Foot	1	4920
5	Control PCB Assembly <sup>4</sup>	1	5329
6	High Temperature Cutout Switch	1	4924
7	Low Temperature Cutout Switch	1	4925
8	Filter Access Door Assembly (Obsolete)	1	4926
9	Dehumidistat Hole Cover (Obsolete)	1	4927
10	Outlet Cover Plate (Obsolete)	1	4928
11	Air Filter	1	4904
12	Inlet/Outlet Screen (Obsolete)	1	4930
13	Duct Collars	2	4751
14	Auxiliary drain pan (Obsolete)	1	4911
15	Capacitor, 55MFD	1	4922
16	Compressor Overload Switch	1	5324
17	Condensate Drain Hose Assembly	1	4863
18	10VA Transformer with Wire Harness	1	5398
19	Capacitor, 10MFD for Impeller	1	5399
<b>OTHER PARTS (NOT SHOWN)</b>			
	Low Profile Condensate Pump (Condensate Pump with 20' Condensate Hose)	1	4856
	Living Space Duct Kit (25' of 8" Insulated Flex Duct with 2 Quick Install Grilles)	1	4857
	Living Space Duct Kit (25' of Insulated Flex Duct with 2 Quick Install Grilles and 2 Reducers)	1	5546

<sup>3</sup> Part No. 4919 replaced by 5332

<sup>4</sup> Part No. 4923 replaced by 5329



**Model 1710A/1750A/1770A Dehumidifiers**

NO.	PART DESCRIPTION	QTY/CTN	MODEL 1710A/1750A/1770A	MODEL 1700/1710/1720/1750/1770
			PART NO.	PART NO.
1	Filter	1	4510	4510
2	Drain Trap/Collars/Manual	1	4843	4843
3	Backflow Damper <sup>5</sup>	1	4918	4918
4	Blower/Motor Assembly, 1710A/1750A and 1700/1710/1750	1	4515	4515
	Blower/Motor Assembly, 1770A and 1720/1770	1	4646 (Obsolete)	4646 (Obsolete)
5A	Power Supply Board	See Table 1 Below		4517
5B	Power Supply Board (New Style Without Integrated Transformer)			
6	Control Board Kit <sup>6</sup>	1	5353	5353
7	Sensor Board	1	4752	4752
8	Duct Collars	2	4751	4751
9	Drain Trap and PVC Elbow	1	4842	4842
10	Condensate Drain Hose Assembly (Included with Model 1710A Only)	1	4863	N/A
11	LED Control Door	1	4864	4864
12	10 VA Transformer	1	5262	5262
13A	Capacitor, 60MFD (Model 1770A Only)	1	5255	N/A
13B	Capacitor, 55MFD	1	4922	N/A
14	Daughter Board	1	5264	N/A
15	High Temperature Cutout Switch	1	4924	N/A
16A	Compressor Overload Switch, 1710A/1750A	1	5324	N/A
16B	Compressor Overload Switch, 1770A	1	5325	N/A
17	Frost Sensor	1	5422	N/A
<b>OTHER PARTS (NOT SHOWN)</b>				
	External Control <sup>7</sup>	1	76	70
	Convertible Installation Kit (2-N/O 8" Damper, 2-N/C 8" Damper and Transformer)	1	4522	4522
	Distributor and Nozzle, 1710A/1750A (Obsolete)	1	4903	N/A
	Low Profile Condensate Pump (Condensate Pump with 20' Condensate Hose)	1	4856	4856
	Living Space Duct Kit (25' Of 8" Insulated Flex Duct With 2 Quick Install Grilles)	1	4857	4857
	Living Space Duct Kit (25' of Insulated Flex Duct With 2 Quick Install Grilles and 2 Reducers)	1	5546	5546

<sup>5</sup> The Backflow Damper (Part No. 4918) is Compatible with All Models 1730A, 1770A, but Only with Model 1750A with Serial Numbers Greater than 2610AA147015.

<sup>6</sup> If Control Board being Replaced is Currently Used with a Model 70 Control, the Control Must be Replaced with a Model 76 Control.

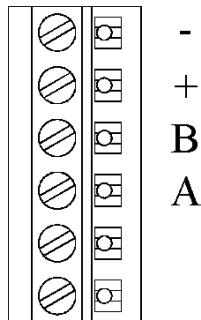
<sup>7</sup> Only use a Model 70 Control to Replace an Existing Model 70 Control with Units Produced Before Serial Number 4610AAXXXXXX.

NO.	PART DESCRIPTION	COMPATIBLE WITH	QTY/CTN	PART NO.
5A	Power Supply Board	Control Board without DH Terminal	1	4517
5B	Power Supply Board (New Style without Integrated Transformer)	Control Board with DH Terminal <sup>8</sup>	1	5260

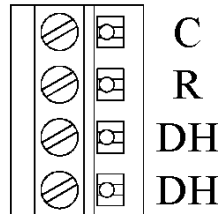
<sup>8</sup> DH Terminal Implemented on All Units with Serial Number 4610AAXXXXXX or Later.

**Identifying Type of Control by Terminal Block**

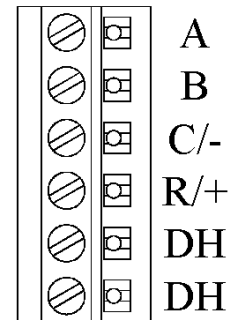
**MODEL 70**



**MODEL 75**



**MODEL 76**



90-1976

