

PRODUCT INFORMATION PACKET



Model No: OWW4517
Catalog No: OWW4517
1/3 HP OEM Replacement Motor, 1625 RPM, 208-230 Volts, 42 Frame, OAO
HVAC/R OEM Replacement Motors



Regal and Century are trademarks of Regal Beloit Corporation or one of its affiliated companies.
©2020 Regal Beloit Corporation, All Rights Reserved. MC017097E





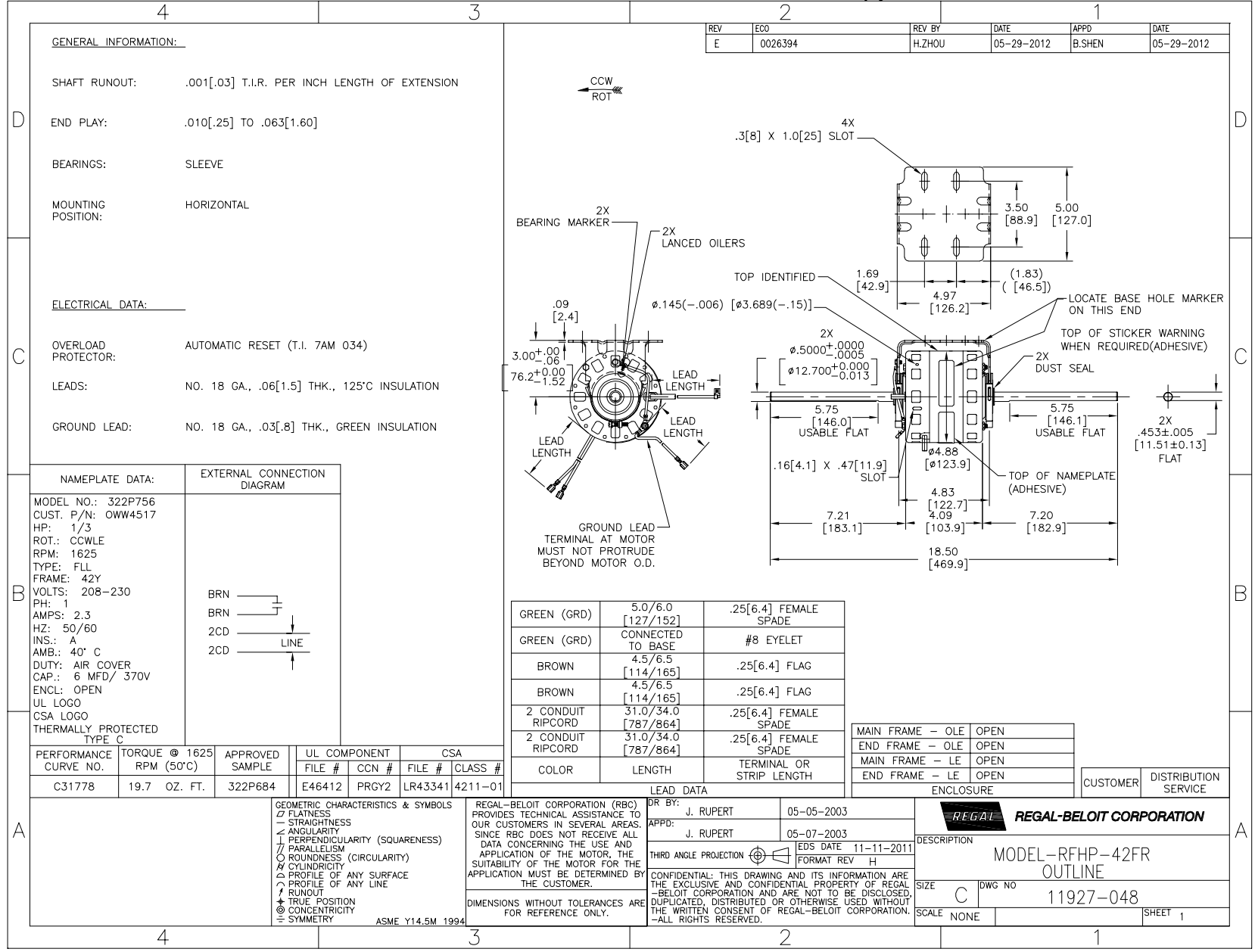
Nameplate Specifications

Output HP	1/3 Hp	Output KW	0.25 kW
Frequency	50 Hz	Voltage	208-230 V
Current	2.3 A	Speed	1625 rpm
Service Factor	1	Phase	1
Duty	Air Over	Insulation Class	A
Frame	42Y	Enclosure	Open Air Over
Thermal Protection	Automatic	Ambient Temperature	40 °C
UL	Recognized	CSA	Y
CE	N		

Technical Specifications

Electrical Type	Permanent Split Capacitor	Starting Method	Across The Line
Poles	4	Rotation	Counterclockwise Lead End
Mounting	Resilient Base	Motor Orientation	Horizontal
Drive End Bearing	Sleeve	Opp Drive End Bearing	Sleeve
Frame Material	Na	Shaft Type	Flat
Overall Length	18.50 in	Shaft Diameter	0.500 in
Shaft Extension	7.2 X.5 X7.2 in		
Outline Drawing	11927-048	Connection Drawing	2494A79F01

This is an uncontrolled document once printed or downloaded and is subject to change without notice. Date Created:22/09/2020



GENERAL INFORMATION:

SHAFT RUNOUT: .001[.03] T.I.R. PER INCH LENGTH OF EXTENSION

END PLAY: .010[.25] TO .063[1.60]

BEARINGS: SLEEVE

MOUNTING POSITION: HORIZONTAL

ELECTRICAL DATA:

OVERLOAD PROTECTOR: AUTOMATIC RESET (T.I. 7AM 034)

LEADS: NO. 18 GA., .06[1.5] THK., 125°C INSULATION

GROUND LEAD: NO. 18 GA., .03[.8] THK., GREEN INSULATION

NAMEPLATE DATA:	EXTERNAL CONNECTION DIAGRAM
MODEL NO.: 322P756 CUST. P/N: OWW4517 HP: 1/3 ROT.: CCWLE RPM: 1625 TYPE: FLL FRAME: 42Y VOLTS: 208-230 PH: 1 AMPS: 2.3 HZ: 50/60 INS.: A AMB.: 40° C DUTY: AIR COVER CAP.: 6 MFD/ 370V ENCL: OPEN UL LOGO CSA LOGO THERMALLY PROTECTED TYPE C	

GREEN (GRD)	5.0/6.0 [127/152]	.25[6.4] FEMALE SPADE
GREEN (GRD)	CONNECTED TO BASE	#8 EYELET
BROWN	4.5/6.5 [114/165]	.25[6.4] FLAG
BROWN	4.5/6.5 [114/165]	.25[6.4] FLAG
2 CONDUIT RIPCORD	31.0/34.0 [787/864]	.25[6.4] FEMALE SPADE
2 CONDUIT RIPCORD	31.0/34.0 [787/864]	.25[6.4] FEMALE SPADE
COLOR	LENGTH	TERMINAL OR STRIP LENGTH

MAIN FRAME - OLE	OPEN
END FRAME - OLE	OPEN
MAIN FRAME - LE	OPEN
END FRAME - LE	OPEN

PERFORMANCE CURVE NO.	TORQUE @ 1625 RPM (50°C)	APPROVED SAMPLE	UL COMPONENT FILE #	CCN #	CSA FILE #	CLASS #
C31778	19.7 OZ. FT.	322P684	E46412	PRGY2	LR43341	4211-01

GEOMETRIC CHARACTERISTICS & SYMBOLS

- FLATNESS
- STRAIGHTNESS
- ANGULARITY
- PERPENDICULARITY (SQUARENESS)
- PARALLELISM
- ROUNDNESS (CIRCULARITY)
- CYLINDRICITY
- PROFILE OF ANY SURFACE
- PROFILE OF ANY LINE
- RUNOUT
- TRUE POSITION
- CONCENTRICITY
- SYMMETRY

REGAL-BELOIT CORPORATION (RBC) PROVIDES TECHNICAL ASSISTANCE TO OUR CUSTOMERS IN SEVERAL AREAS. SINCE RBC DOES NOT RECEIVE ALL DATA CONCERNING THE USE AND APPLICATION OF THE MOTOR, THE SUITABILITY OF THE MOTOR FOR THE APPLICATION MUST BE DETERMINED BY THE CUSTOMER.

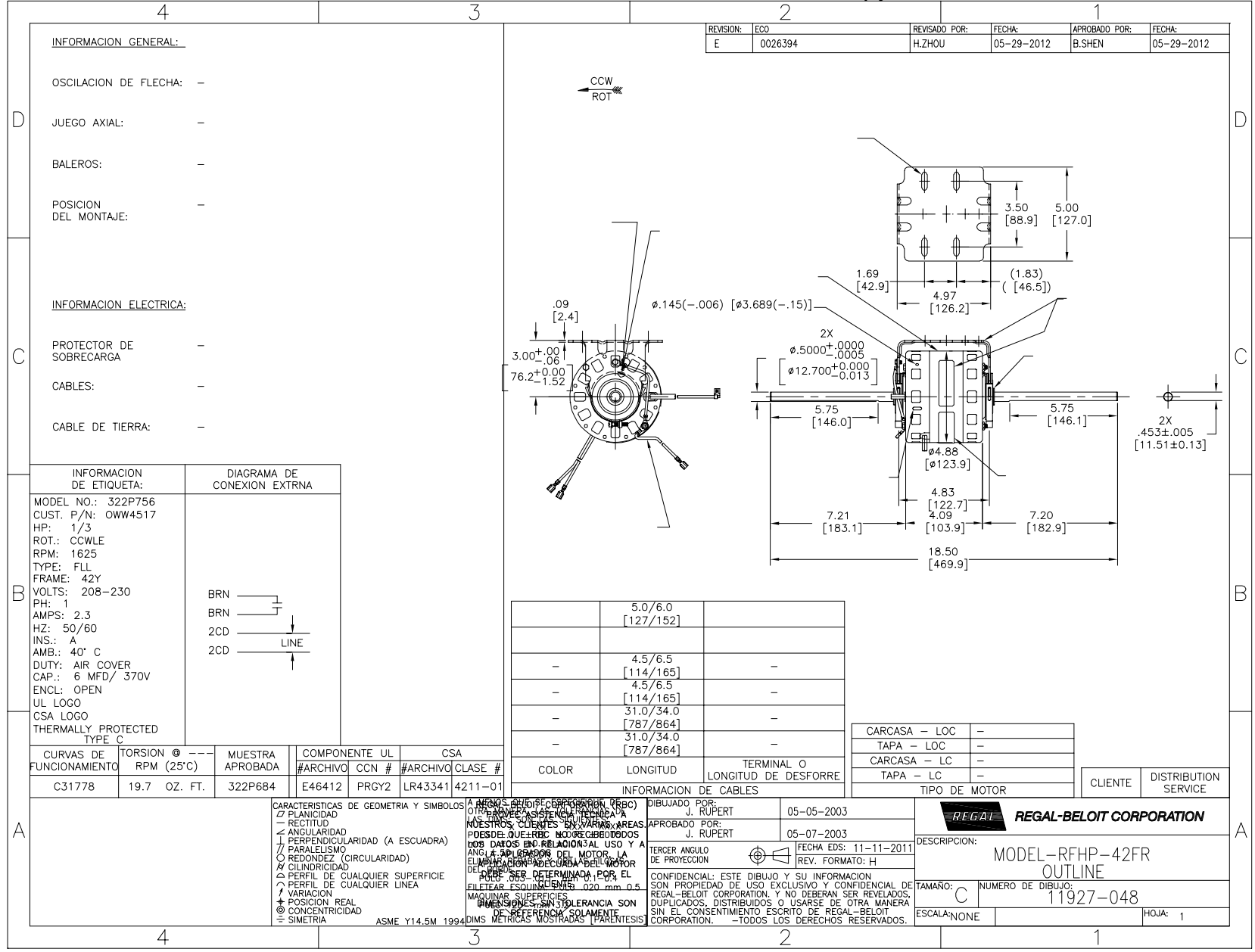
DIMENSIONS WITHOUT TOLERANCES ARE FOR REFERENCE ONLY.

ASME Y14.5M 1994

DR BY:	EDS DATE
J. RUPERT	05-05-2003
J. RUPERT	05-07-2003
THIRD ANGLE PROJECTION	EDS DATE 11-11-2011 FORMAT REV H

CONFIDENTIAL: THIS DRAWING AND ITS INFORMATION ARE THE EXCLUSIVE AND CONFIDENTIAL PROPERTY OF REGAL-BELOIT CORPORATION AND ARE NOT TO BE DISCLOSED, DUPLICATED, DISTRIBUTED OR OTHERWISE USED WITHOUT THE WRITTEN CONSENT OF REGAL-BELOIT CORPORATION. -ALL RIGHTS RESERVED.

REGAL-BELOIT CORPORATION	
DESCRIPTION	MODEL-RFHP-42FR OUTLINE
SIZE	C DWG NO 11927-048
SCALE	NONE SHEET 1



REVISION:	ECO	REVISADO POR:	H.ZHOU	FECHA:	05-29-2012	APROBADO POR:	B.SHEN	FECHA:	05-29-2012
E	0026394								

INFORMACION GENERAL:

- OSCILACION DE FLECHA: -
- JUEGO AXIAL: -
- BALEROS: -
- POSICION DEL MONTAJE: -

INFORMACION ELECTRICA:

- PROTECTOR DE SOBRECARGA -
- CABLES: -
- CABLE DE TIERRA: -

INFORMACION DE ETIQUETA:	DIAGRAMA DE CONEXION EXTRNA
MODEL NO.: 322P756 CUST. P/N: OWW4517 HP: 1/3 ROT.: CCWLE RPM: 1625 TYPE: FLL FRAME: 42Y VOLTS: 208-230 PH: 1 AMPS: 2.3 HZ: 50/60 INS.: A AMB.: 40° C DUTY: AIR COVER CAP.: 6 MFD/ 370V ENCL: OPEN UL LOGO CSA LOGO THERMALLY PROTECTED TYPE C	

	5.0/6.0		
	[127/152]		
	4.5/6.5		
	[114/165]		
	4.5/6.5		
	[114/165]		
	31.0/34.0		
	[787/864]		
	31.0/34.0		
	[787/864]		
COLOR	LONGITUD	TERMINAL O LONGITUD DE DESFORRE	

CARCASA - LOC	-
TAPA - LOC	-
CARCASA - LC	-
TAPA - LC	-

CLIENTE	DISTRIBUTION SERVICE
---------	----------------------

CURVAS DE FUNCIONAMIENTO	TORSION @ RPM (25°C)	MUESTRA APROBADA	COMPONENTE UL	CSA
C31778	19.7 OZ. FT.	322P684	#ARCHIVO PRGY2	#ARCHIVO CLASE #
			LR43341	4211-01

- CARACTERISTICAS DE GEOMETRIA Y SIMBOLOS:
 / PLANICIDAD
 - RECTITUD
 < ANGULARIDAD
 | PERPENDICULARIDAD (A ESQUADRA)
 // PARALELISMO
 R REDONDEZ (CIRCULARIDAD)
 C CILINDRICIDAD
 P PERFIL DE CUALQUIER SUPERFICIE
 ~ PERFIL DE CUALQUIER LINEA
 V VARIACION
 * POSICION REAL
 @ CONCENTRICIDAD
 = SIMETRIA

A REGAL-BELOIT CORPORATION (RBC)
 OTRA EMPRESA SIENTE LA NECESIDAD
 DE APLICAR ESTOS TIPOS DE
 NUESTROS CUERPOS EN VARIAS AREAS
 PUES DE QUE RECIBIMOS TODOS
 LOS DATOS EN RELACION AL USO Y A
 ANGLE DE PROYECCION DEL MOTOR LA
 ELABORACION ADECUADA DEL MOTOR
 DEBE SER DETERMINADA POR EL
 PUES DE QUE EL TOLERANCIA SON
 MAQUINAR SUPERFICIES
 DIMENSIONES EN TOLERANCIA SON
 DE REFERENCIA SOLOAMENTE
 DIMS METRICAS MOSTRADAS (PARENTESIS)

DIBUJADO POR: J. RUPERT 05-05-2003
 APROBADO POR: J. RUPERT 05-07-2003
 TERCER ANGULO DE PROYECCION
 FECHA EDS: 11-11-2011
 REV. FORMATO: H
 CONFIDENCIAL: ESTE DIBUJO Y SU INFORMACION SON PROPIEDAD DE USO EXCLUSIVO Y CONFIDENCIAL DE REGAL-BELOIT CORPORATION, Y NO DEBERAN SER REVELADOS, DUPLICADOS, DISTRIBUIDOS O USARSE DE OTRA MANERA SIN EL CONSENTIMIENTO ESCRITO DE REGAL-BELOIT CORPORATION. - TODOS LOS DERECHOS RESERVADOS.

REGAL-BELOIT CORPORATION
 DESCRIPCION: MODEL-RFHP-42FR OUTLINE
 TAMAÑO: C NUMERO DE DIBUJO: 11927-048
 ESCALA: NONE HOJA: 1

版本	ECO	编制	日期	批准	日期
E	0026394	H.ZHOU	05-29-2012	B.SHEN	05-29-2012

总技术要求: _____

轴跳动: _____

端部窜动量 _____

轴承: _____

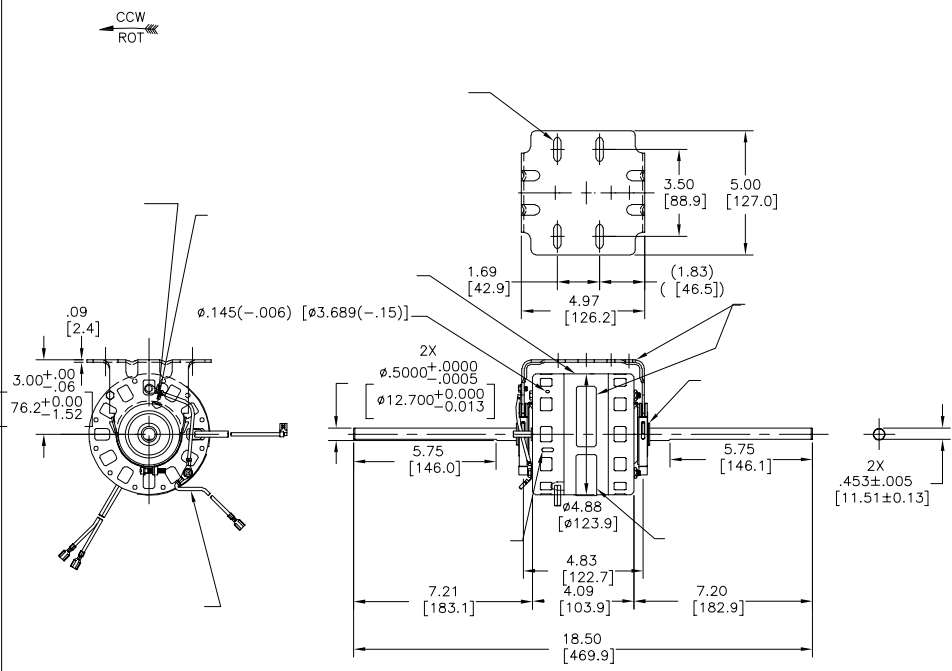
安装位置: _____

电气数据: _____

过载保护: _____

引线: _____

接地线: _____



铭牌数据	外部数据线
MODEL NO.: 322P756 CUST. P/N: OWW4517 HP: 1/3 ROT.: CCWLE RPM: 1625 TYPE: FLL FRAME: 42Y VOLTS: 208-230 PH: 1 AMPS: 2.3 HZ: 50/60 INS.: A AMB.: 40° C DUTY: AIR COVER CAP.: 6 MFD/ 370V ENCL: OPEN UL LOGO CSA LOGO THERMALLY PROTECTED TYPE C	

	5.0/6.0	
	[127/152]	
	4.5/6.5	
	[114/165]	
	4.5/6.5	
	[114/165]	
	31.0/34.0	
	[787/864]	
	31.0/34.0	
	[787/864]	

无引线端机壳	
无引线端盖	
有引线端机壳	
有引线端盖	

用户	DISTRIBUTION SERVICE
----	----------------------

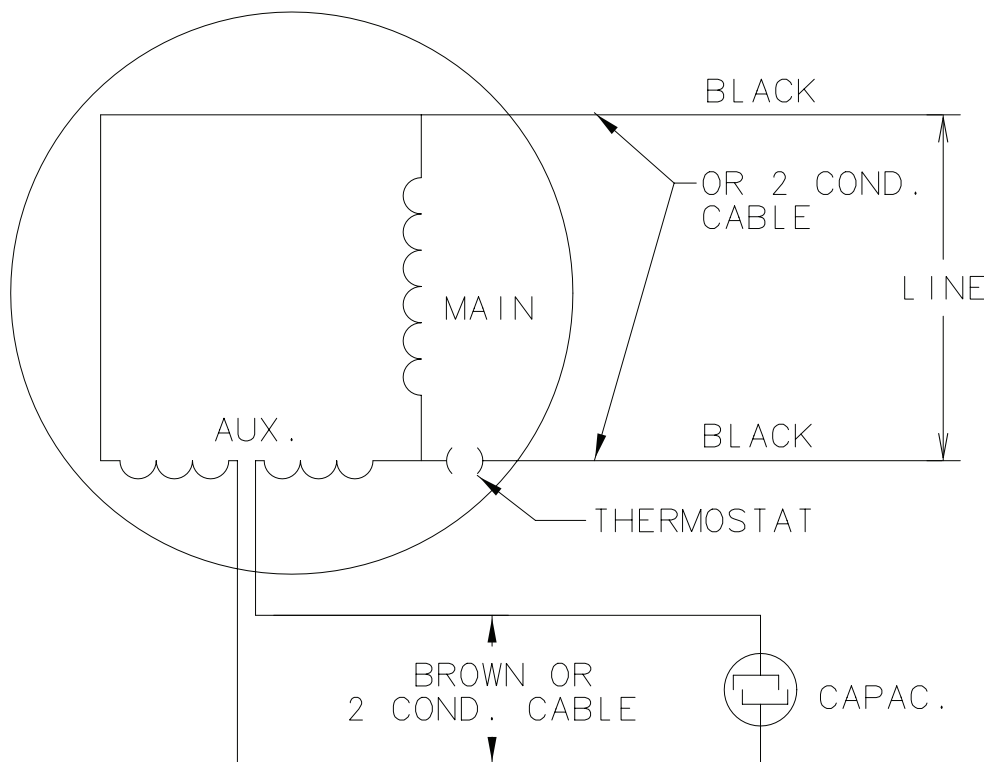
性能曲线编号	转矩在 @ RPM (25° C)	批准样品	UL部件	CSA
C31778	19.7 OZ. FT.	322P684	文件号 指南	文件号 指南
		E46412	PRGY2	LR43341 4211-01

REGAL-BELOIT CORPORATION	
名称: J. RUPERT	05-05-2003
批准: J. RUPERT	05-07-2003
第三角投影	图纸格式发布日期 11-11-2011
	图纸格式版本 H
机密: 本图纸及相关信息所有权归REGAL-BELOIT CORPORATION。未经REGAL-BELOIT CORPORATION书面授权, 不得泄露、复制、传播或作其他用途。--版权所有	


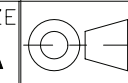
REGAL-BELOIT CORPORATION	
名称	MODEL-RFHP-42FR OUTLINE
图幅	C
图号	11927-048
比例	NONE
页号	1

形位公差 □ 平面度 〓 直线度 ⊥ 垂直度 // 平行度 ○ 圆度 ⊙ 圆跳动 Ⓢ 面轮廓度 Ⓡ 线轮廓度 Ⓢ 圆跳动 Ⓢ 位置度 Ⓢ 对称度	ASME Y14.5M 1994
---	------------------

QUALITY CONTROL NOTE:
TO CHECK THE WDGS. FOR OPENS,
VERIFY THE CONTINUITY BETWEEN
THE TWO CAPACITOR LEADS



A	06/23/03	REDRAWN TO CAD	-	KAG	0343652
	DATE	CHANGED FROM	ENG	DRF	NOTICE
			APPROVED		

GEOMETRIC CHARACTERISTICS & SYMBOLS □ FLATNESS — STRAIGHTNESS < ANGULARITY ⊥ PERPENDICULARITY (SQUARENESS) // PARALLELISM ○ ROUNDNESS (CIRCULARITY) ⌀ CYLINDRICITY △ PROFILE OF ANY SURFACE ◌ PROFILE OF ANY LINE ↗ RUNOUT ⊕ TRUE POSITION ◎ CONCENTRICITY = SYMMETRY	UNLESS OTHERWISE SPECIFIED DIMENSION TOLERANCES ARE AS FOLLOWS .X .XX .XXX INCHES ±.02 ±.005 METRIC ±.5 ±.13 ANGLES ±.50 DEG REMOVE BURRS AND BREAK SHARP EDGES .003-.015. CORNER FILLETS TO .020 MACHINE SURFACES 125✓	MATERIAL -	DRAWN KLINE 07/02/75 APPROVED CORBIN 0/05/75	A.O. SMITH A DIVISION OF A.O. SMITH CORPORATION ELECTRICAL PRODUCTS COMPANY TIPP CITY, OHIO  COPYRIGHT 1995
	CONFIDENTIAL: THIS DRAWING AND ITS INFORMATION ARE THE EXCLUSIVE AND CONFIDENTIAL PROPERTY OF A.O. SMITH CORP. AND ARE NOT TO BE DISCLOSED, DUPLICATED, DISTRIBUTED OR OTHERWISE USED WITHOUT THE WRITTEN CONSENT OF A.O. SMITH CORP. - ALL RIGHTS RESERVED	PROCESS -	REFERENCE -	DESCRIPTION CONN. DIAG.
	APPLICATION -	USER/F I ER42 / CONEXT	SIZE A 	PART NUMBER 2494A79
	SCALE -	NOTICE -	SHEET -	