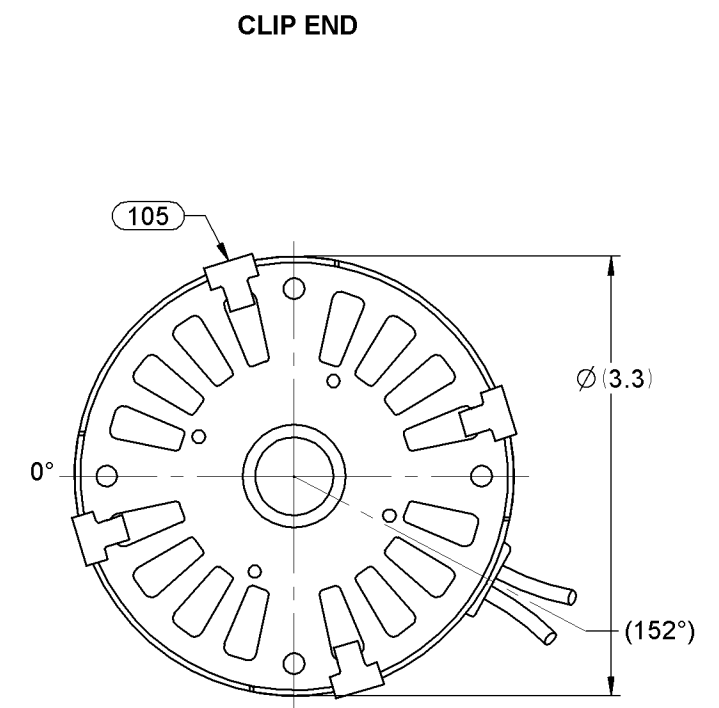
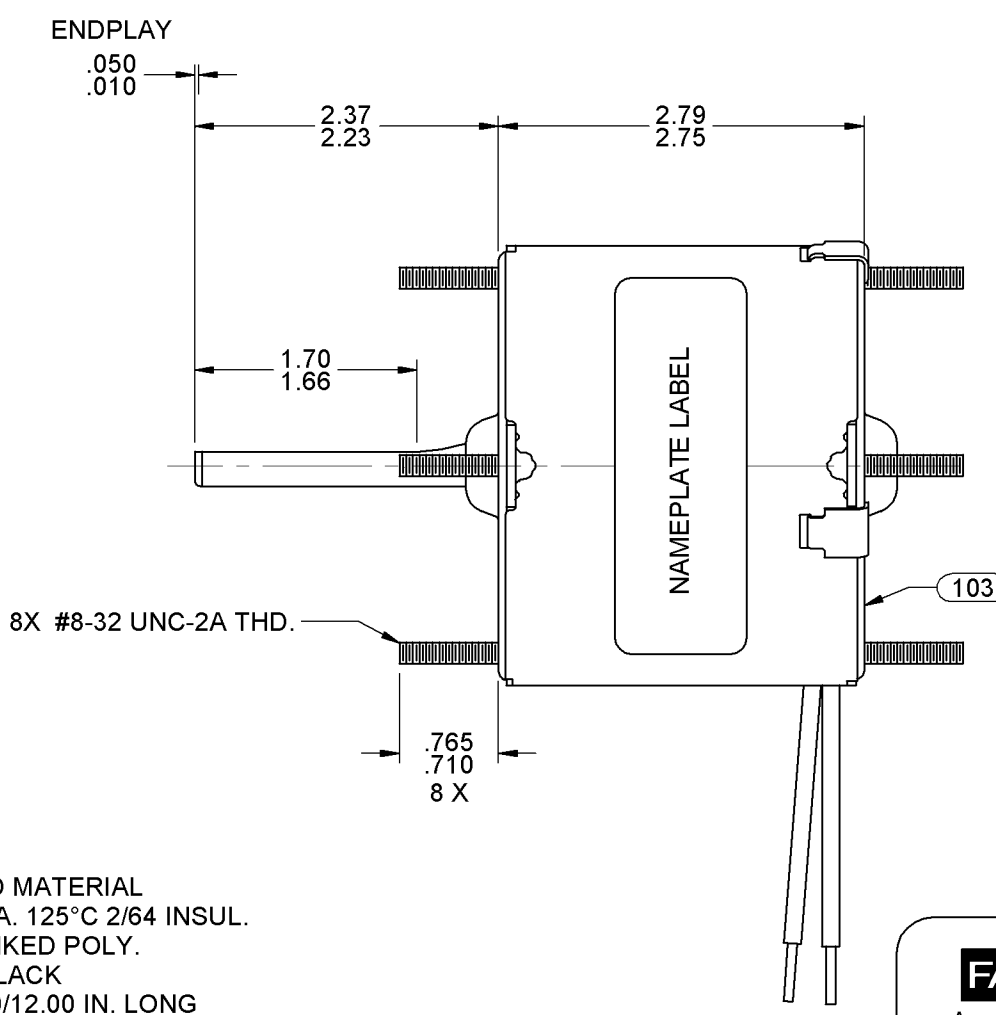
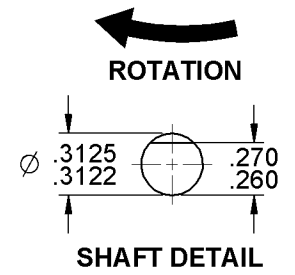
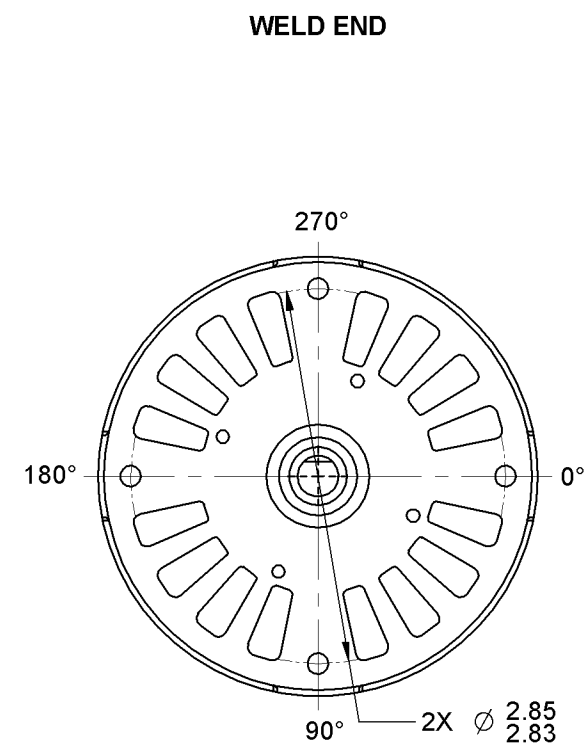


52	PICTORIALLY REMOVED BARCODE FROM LABEL	SD 10-23-09	53	CHANGED IDLE AMPS FROM 1.30 TO 1.50	PLA 11/19/09	54	CORRECTED PC NUMBER ON ROTOR/SHAFT DRAWING	C440448 SD 10-13-10	STANDARD TOLERANCES: ANGULAR +/- 1 DEGREE 2 PLACE DECIMAL +/- .01 3 PLACE DECIMAL +/- .005		
----	--	-------------	----	-------------------------------------	--------------	----	--	------------------------	---	--	--



LEAD MATERIAL  
18 GA. 125°C 2/64 INSUL.  
X-LINKED POLY.  
(2) BLACK  
14.00/12.00 IN. LONG  
.68/.56 IN STRIP

0046-4072
0046-4282

**FASCO** Motor Division  
Assembled in Mexico  
No. 71631855 TYPE U63B1 T.P. AO LR6319  
115 V 60 Hz Class B  
1.8 A 1500 RPM  
Model D132

**SAFETY WARNING**

This Motor Must Be Grounded in Accordance With Local Or National Electrical Codes To Prevent Possible Injury Due To Electrical Shock

NOTES:  
NO PACKAGING TAPE OVER CARTON LABEL.

FRONT SHAFT POSITION	TYPICAL PERFORMANCE AT 115 VOLTS 60 Hz.												CUSTOMER: FASCO DISTRIBUTOR	<b>FASCO</b> FASCO MOTORS GROUP AC MOTOR/BLOWER DIVISION									
HORIZONTAL 	MOTOR SPEED	IDLE			LOADED			LOCKED			BREAK	PART NUMBER: D132	CONFIDENTIAL: DO NOT DUPLICATE OR DISCLOSE TO THIRD PARTIES WITHOUT WRITTEN PERMISSION OF FASCO MOTORS GROUP, AC MOTOR/BLOWER DIVISION.										
		R.P.M.	AMP.	WATT	IN.OZ.	R.P.M.	AMP.	WATT	IN.OZ.	AMP.	WATT	IN.OZ.							APPLICATION: COUNTER SALES				
		1755	1.50	81	30.0	1580	1.83	123	10.8	2.18	186	36.0	MOTOR WEIGHT: 3.22 POUNDS	MOTOR TYPE			DRAWING NUMBER						
CUSTOMER APPROVAL:													ENVIRONMENT: DRY	SHADED POLE			7163 1855						
SIGNED:													FINISH COLOR: BLACK	B	LA	FR	A	S	C	E	B	A	REV. <b>54</b>
DATE:													DRAWN BY: HELEN SHORT	00	63	30	V	05	FI	5	3	0	
													DATE DRAWN: AUGUST 13, 2001										

If Printed, this is an Uncontrolled Document.