

PRODUCT INFORMATION PACKET



Model No: OTR4513
Catalog No: OTR4513
1/8 HP OEM Replacement Motor, 1550 RPM, 208-240 Volts, 42 Frame, TEAO
HVAC/R OEM Replacement Motors



Regal and Century are trademarks of Regal Beloit Corporation or one of its affiliated companies.
©2020 Regal Beloit Corporation, All Rights Reserved. MC017097E





Nameplate Specifications

Output HP	1/8 Hp	Output KW	0.10 kW
Frequency	60 Hz	Voltage	208-240 V
Current	0.8-0.9 A	Speed	1550 rpm
Service Factor	1	Phase	1
Duty	Air Over	Insulation Class	A
Frame	42Y	Enclosure	Totally Enclosed Air Over
Thermal Protection	Automatic	Ambient Temperature	40 °C
UL	Recognized	CSA	Y
CE	N		

Technical Specifications

Electrical Type	Permanent Split Capacitor	Starting Method	Across The Line
Poles	4	Rotation	Counterclockwise Lead End
Mounting	Extended Studs	Motor Orientation	Vertical Shaft Up
Drive End Bearing	Sleeve	Opp Drive End Bearing	Sleeve
Frame Material	Na	Shaft Type	Flat
Overall Length	6.75 in	Shaft Diameter	0.500 in
Shaft Extension	3.2 in		
Outline Drawing	OTR4513-S01		

This is an uncontrolled document once printed or downloaded and is subject to change without notice. Date Created:10/09/2020

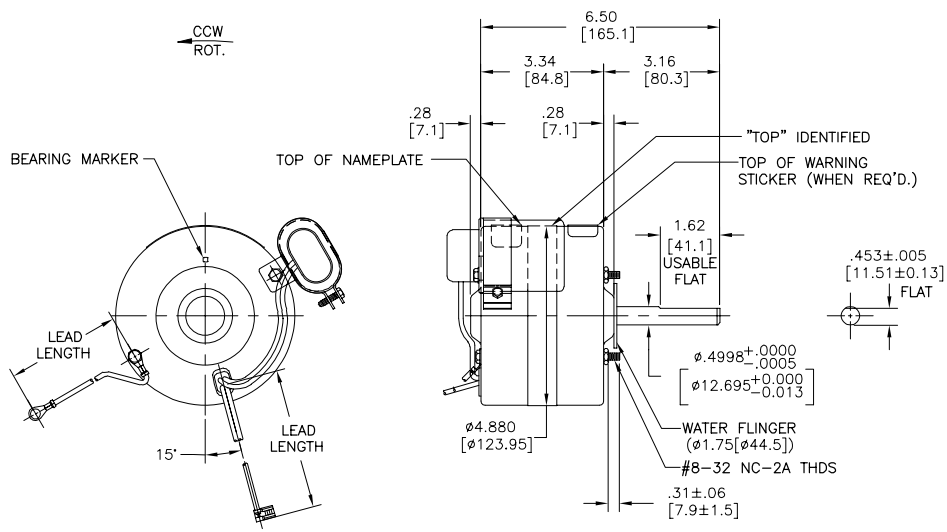
REV	ECO	REV BY	DATE	APPD	DATE
C	0026414	L. BERNAL	05-28-2012	M. AVILA	05-28-2012

GENERAL INFORMATION:

SHAFT RUNOUT: .001[.03] T.I.R. PER INCH LENGTH OF EXTENSION.
 END PLAY: .010[.25] TO .063[1.60]
 BEARINGS: SLEEVE
 MOUNTING POSITION: VERTICAL SHAFT-UP

ELECTRICAL DATA:

OVERLOAD PROTECTOR: AUTOMATIC RESET (T.I. 7AM 034)
 LINE LEADS: NO. 18 GA., .06[1.5] THK., EPDM 125°C INSUL.
 GROUND LEAD: NO. 18 GA., .03[.8] THK., GREEN INSUL.



NOTE:
 1. DISTRIBUTION PART NUMBER: OTR4513
 GRAINGER PART NUMBER: 4UY73

GREEN (GRD)	14.00/16.00 [355.6/406.4]	.25[6.4] RING
BROWN	CONNECTED TO CAPACITOR	.25[6.4] FLAG
BROWN/WHITE	CONNECTED TO CAPACITOR	.25[6.4] FLAG
BLACK	34.00/37.00 [863.6][939.8]	.25[6.4] FLAG
PURPLE	34.00/37.00 [863.6][939.8]	.25[6.4] FLAG
COLOR	LENGTH	TERMINAL OR STRIP LENGTH
LEAD DATA		

MAIN FR.-OLE	ENCLOSED
END FR.-OLE	ENCLOSED
MAIN FR.-LE	ENCLOSED
END FR.-LE	ENCLOSED
ENCLOSURE	

CUST.	DISTRIBUTION SERVICES
ORIGINAL SPEC.	11867-002

NAMEPLATE DATA: MODEL: 322P811
 CUST. P/N: []
 HP: 1/8
 ROT: CCWLE
 RPM: 1550
 TYPE: FLL
 FRAME: 42Y
 VOLTS: 208-240
 PH: 1
 AMPS: 0.8-0.9
 HZ: 60
 INS: A
 AMB: 40°C
 DUTY: AIR OVER
 CAP.: 4 MFD/370 V
 UL & CSA LOGO
 THERMALLY PROTECTED TYPE C

EXTERNAL CONNECTION DIAGRAM:
 BRN ---
 BRN/WHT ---
 BLK ---
 PUR ---
 LINE

PREFORMANCE CURVE NO.	TORQUE @ 1100 RPM (25°C)	APPROVED SAMPLE	UL COMPONENT FILE#	GUIDE#	CSA FILE#	GUIDE#
C30812	6.9 OZ. FT.	99AE838	E46412	PRGY2	LR43341	260-ø-0

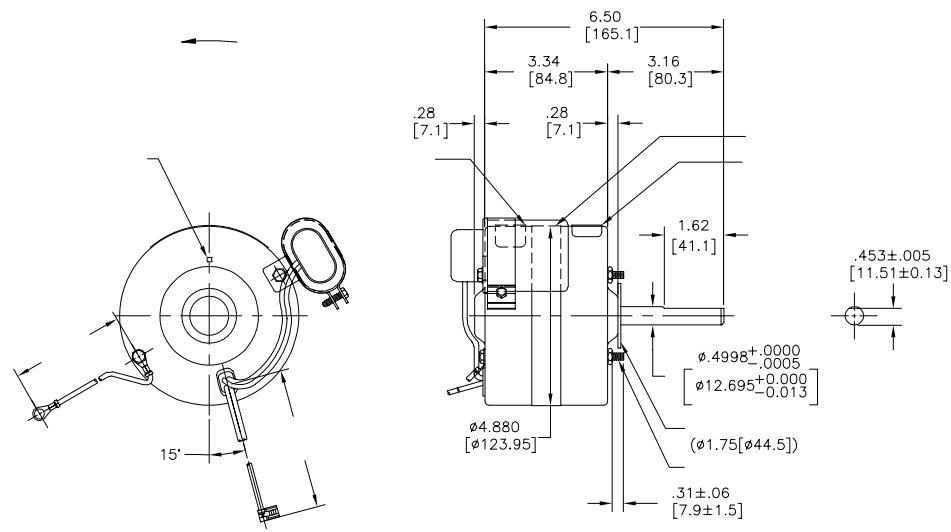
- GEOMETRIC CHARACTERISTICS & SYMBOLS
 □ FLATNESS
 - STRAIGHTNESS
 < ANGLARITY
 ⊥ PERPENDICULARITY (SQUARENESS)
 ∥ PARALLELISM
 ○ ROUNDNESS (CIRCULARITY)
 ⌀ CYLINDRICITY
 ~ PROFILE OF ANY SURFACE
 ~ PROFILE OF ANY LINE
 † RUNOUT
 ⊕ TRUE POSITION
 ⊙ CONCENTRICITY
 = SYMMETRY
 ASME Y14.5M 1994

REGAL-BELOIT CORPORATION (RBC) PROVIDES TECHNICAL ASSISTANCE TO OUR CUSTOMERS IN SEVERAL AREAS. SINCE RBC DOES NOT RECEIVE ALL DATA CONCERNING THE USE AND APPLICATION OF THE MOTOR, THE SUITABILITY OF THE MOTOR FOR THE APPLICATION MUST BE DETERMINED BY THE CUSTOMER.
 DIMENSIONS WITHOUT TOLERANCES ARE FOR REFERENCE ONLY.

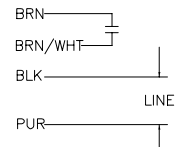
DR BY: ANDERSON 04-02-1996
 APPD: W.J. WA 05-24-1996
 THRD ANGLE PROJECTION
 EDS DATE 11-11-2011
 FORMAT REV C
 CONFIDENTIAL: THIS DRAWING AND ITS INFORMATION ARE THE EXCLUSIVE AND CONFIDENTIAL PROPERTY OF REGAL-BELOIT CORPORATION AND ARE NOT TO BE DISCLOSED, DUPLICATED, DISTRIBUTED OR OTHERWISE USED WITHOUT THE WRITTEN CONSENT OF REGAL-BELOIT CORPORATION. -ALL RIGHTS RESERVED.

REGAL-BELOIT CORPORATION
 DESCRIPTION: MODEL-RFHP-42FR OUTLINE
 SIZE: C DWG NO: OTR4513
 SCALE: NONE SHEET 1

REVISION: ECO	REVISADO POR: L. BERNAL	FECHA: 05-28-2012	APROBADO POR: M. AVILA	FECHA: 05-28-2012
C	0026414			



MODEL: 322P811
 CUST. P/N: []
 HP: 1/8
 ROT: CCWLE
 RPM: 1550
 TYPE: FLL
 FRAME: 42Y
 VOLTS: 208-240
 PH: 1
 AMPS: 0.8-0.9
 HZ: 60
 INS: A
 AMB: 40°C
 DUTY: AIR OVER
 CAP.: 4 MFD/370 V
 UL & CSA LOGO
 THERMALLY PROTECTED
 TYPE C



	14.00/16.00 [355.6/406.4]	.25[6.4]
		.25[6.4]
		.25[6.4]
	34.00/37.00 [863.6][939.8]	.25[6.4]
	34.00/37.00 [863.6][939.8]	.25[6.4]

DISTRIBUTION SERVICES
 11867-002

C30812	6.9 OZ. FT.	99AE838	E46412	PRGY2	LR43341	260-ø-0
--------	-------------	---------	--------	-------	---------	---------

CARACTERISTICAS DE GEOMETRIA Y SIMBOLOS
 ▽ PLANICIDAD
 — RECTITUD
 ∠ ANGULARIDAD
 ⊥ PERPENDICULARIDAD (A ESCUADRA)
 // PARALELISMO
 ○ REDONDEZ (CIRCULARIDAD)
 ⌀ CILINDRICIDAD
 ⊖ PERFIL DE CUALQUIER SUPERFICIE
 ⊖ PERFIL DE CUALQUIER LINEA
 † VARIACION
 ⊕ POSICION REAL
 ⊙ CONCENTRICIDAD
 = SIMETRIA ASME Y14.5M 1994

REGAL-BELOIT CORPORATION (RBC)
 PROVEE ASISTENCIA TECNICA A
 NUESTROS CLIENTES EN VARIAS AREAS.
 DESDE QUE RBC NO RECIBE TODOS
 LOS DATOS EN RELACION AL USO Y A
 LA APLICACION DEL MOTOR, LA
 APLICACION ADECUADA DEL MOTOR
 DEBE SER DETERMINADA POR EL
 CLIENTE.

DIMENSIONES SIN TOLERANCIA SON
 DE REFERENCIA SOLAMENTE

DIBUJADO POR: ANDERSON 04-02-1996
 APROBADO POR: W.J. WA 05-24-1996
 TERCER ANGULO DE PROYECCION
 FECHA EDS: 11-11-2011
 REV. FORMATO: G
 CONFIDENCIAL: ESTE DIBUJO Y SU INFORMACION SON PROPIEDAD DE USO EXCLUSIVO Y CONFIDENCIAL DE REGAL-BELOIT CORPORATION. Y NO DEBERAN SER REVELADOS, Duplicados, DISTRIBUIDOS O USARSE DE OTRA MANERA SIN EL CONSENTIMIENTO ESCRITO DE REGAL-BELOIT CORPORATION. -TODOS LOS DERECHOS RESERVADOS.

REGAL-BELOIT CORPORATION
 DESCRIPCION: MODEL-RFHP-42FR OUTLINE
 TAMAÑO: C NUMERO DE DIBUJO: 0TR4513
 ESCALA: NONE HOJA: 1

版本	ECO	编制	日期	批准	日期
C	0026414	L. BERNAL	05-28-2012	M. AVILA	05-28-2012

总要求:

轴跳动: .001/1 [.03/25.4] (外伸轴)

端部窜动量: .010 - .063 [.25 - 1.60]

轴承: 含油轴承

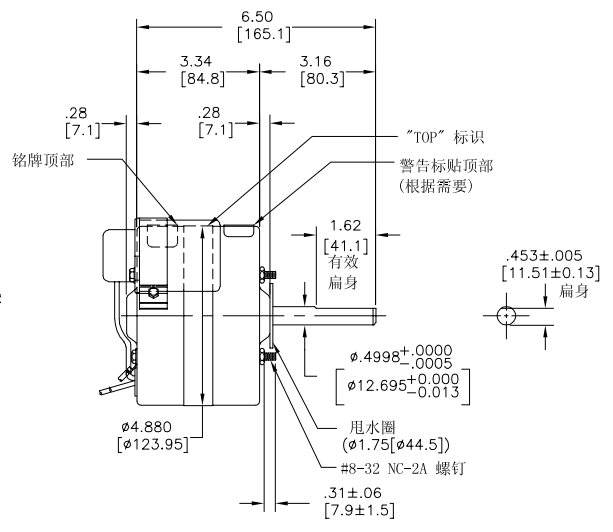
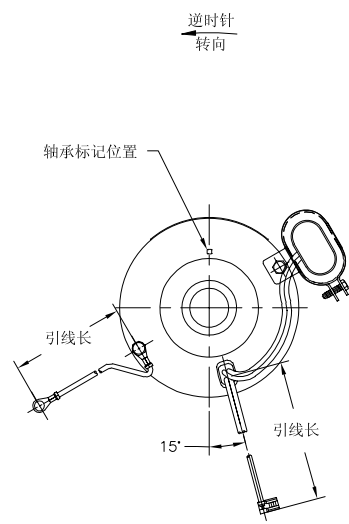
安装位置: 轴垂直向上

电气数据:

过载保护: 自动复位 (T. I. 7AM 034)

引线: 18 GA., .06[1.5] 厚. EPDM 125° C 绝缘

接地线: 18 GA., .03 [.8] 厚. (绿色) 绝缘



技术要求:

1. 分销电机型号: OTR4513
GRAINGER 电机型号: 4UY73

绿色 (接地)	14.00/16.00 [355.6/406.4]	.25[6.4] 金属圈
棕色	连接电容	.25[6.4] 旗形插
棕色/白色	连接电容	.25[6.4] 旗形插
黑色	34.00/37.00 [863.6][939.8]	.25[6.4] 旗形插
紫色	34.00/37.00 [863.6][939.8]	.25[6.4] 旗形插
颜色	长度	端子或剥线长度

引线数据

非引线端机壳	密封
非引线端端盖	密封
引线端机壳	密封
引线端端盖	密封

开启方式

用户	DISTRIBUTION SERVICES
原始参考图	11867-002

铭牌数据	外部连接详图
MODEL: 322P811 CUST. P/N: [] HP: 1/8 ROT: CCWLE RPM: 1550 TYPE: FLL FRAME: 42Y VOLTS: 208-240 PH: 1 AMPS: 0.8-0.9 HZ: 60 INS: A AMB: 40°C DUTY: AIR OVER CAP: 4 MFD/370 V UL & CSA LOGO THERMALLY PROTECTED TYPE C	

性能曲线编号	转矩在1100RPM (25° C)	批准样品	UL部件
C30812	6.9 OZ. FT.	99AE838	文件号 指南 文件号 指南
			E46412 PRGY2 LR43341 260-Ø-0

ASME Y14.5M 1994

形位公差

- 平面度
- 直线度
- ∠ 倾斜度
- ⊥ 垂直度
- ∥ 平行度
- 圆度
- ⊘ 圆跳动
- ⊙ 面轮廓度
- ⊖ 线轮廓度
- ↗ 圆跳动
- ↖ 位置度
- ↕ 同轴度
- ↔ 对称度

REGAL-BELOIT CORPORATION (RBC) 在个别领域为客户提供技术支持。鉴于RBC未收到任何涉及电机使用和应用环境的数据，电机的适用性由客户自己决定。

未注公差尺寸仅供参考。

形状	ANDERSON	04-02-1996
批准:	W.J. WA	05-24-1996
第三角投影	第三角投影	图框格式发布日期 11-11-2011 图框格式版本 C
机密:	本图纸及相关信息所有权归REGAL-BELOIT CORPORATION。未经REGAL-BELOIT CORPORATION书面授权，不得泄露、复制、传播或作其他用途。—版权所有	

名称		MODEL-RFHP-42FR OUTLINE
图幅	图号	C OTR4513
比例	图号	NONE 1