

# PRODUCT INFORMATION PACKET



Model No: ORM5458BF  
Catalog No: ORM5458BF

1/3-1/6 HP Condenser Fan Motor, 1075 RPM, 1 Speed, 208-230 Volts, 48 Frame, TEAO  
Condenser Fans Motors



Regal and Century are trademarks of Regal Beloit Corporation or one of its affiliated companies.  
©2020 Regal Beloit Corporation, All Rights Reserved. MC017097E





**Nameplate Specifications**

Output HP	1/3-1/6 Hp	Output KW	0.25 kW
Frequency	60 Hz	Voltage	208-230 V
Current	2.1 A	Speed	1075 rpm
Service Factor	1	Phase	1
Duty	Air Over	Insulation Class	F
Frame	48	Enclosure	Totally Enclosed
Thermal Protection	Automatic	Ambient Temperature	70 °C
UL	Recognized	CSA	Y
CE	N		

**Technical Specifications**

Electrical Type	Permanent Split Capacitor	Starting Method	Across The Line
Poles	6	Rotation	Reversible
Mounting	Extended Studs	Motor Orientation	Any
Drive End Bearing	Ball	Opp Drive End Bearing	Ball
Frame Material	Rolled Steel	Shaft Type	Double Flat
Overall Length	11.49 in	Frame Length	3.50 in
Shaft Diameter	0.500 in	Shaft Extension	6.5 in
Connection Drawing	614131-242	Outline Drawing	ORM5458BF-S01

This is an uncontrolled document once printed or downloaded and is subject to change without notice. Date Created:22/09/2020

GENERAL INFORMATION:

SHAFT RUNOUT: .001[.03] T.I.R. PER INCH LENGTH OF EXTENSION

BEARINGS: BALL

MOUNTING POSITION: ALL ANGLE

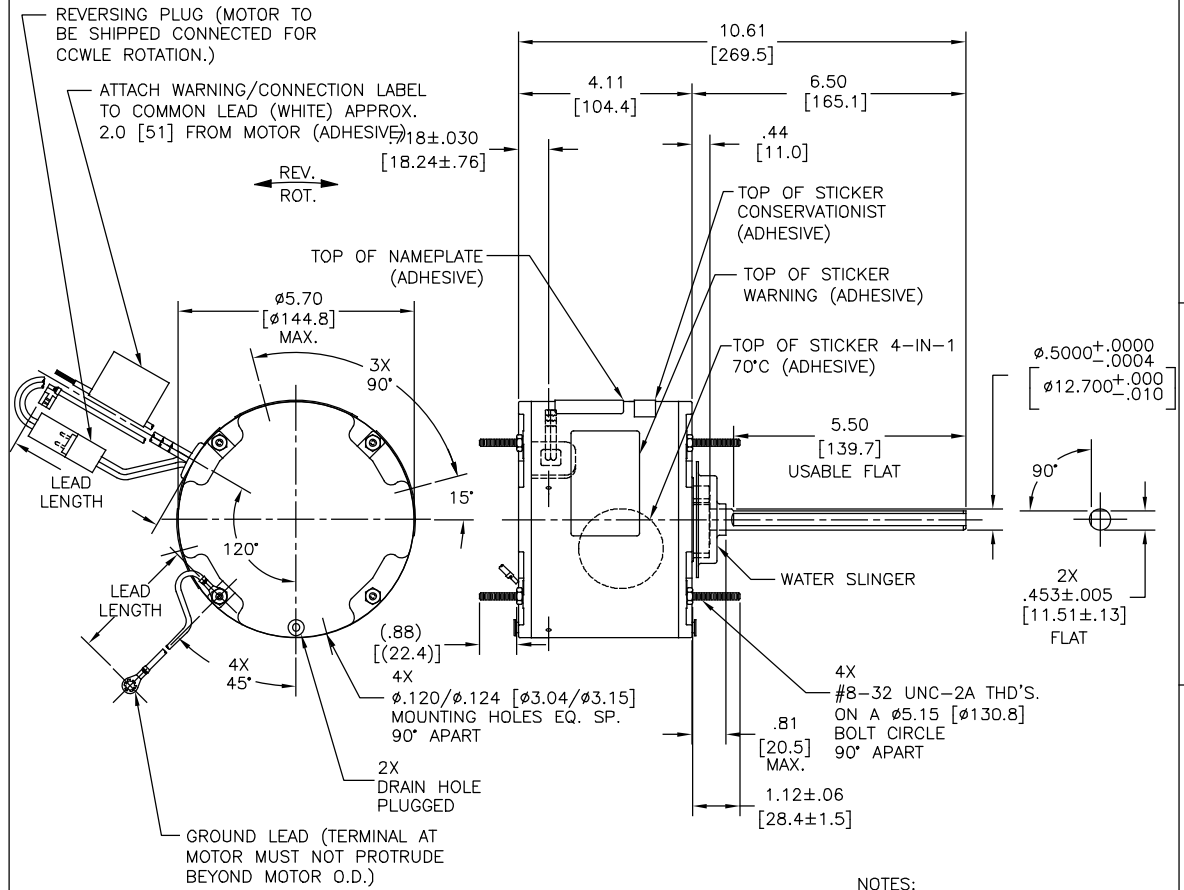
ELECTRICAL DATA:

OVERLOAD PROTECTOR: AUTOMATIC RESET (SENSATA 7AM 304)

LINE LEADS: NO. 18 GA., .06[1.5] THK. XLP 125°C INSUL.

REVERSING PLUGS: NO. 18 GA., .03[.8] THK. XLP 125°C INSUL.

GROUND LEAD: NO. 18 GA., .03[.8] THK. (GREEN) INSUL.



- NOTES:
1. ATTACH INSTRUCTION SHEET 681572-003 ONTO SHAFT APPROX. 1.0[25] FROM WATER SLINGER (OR 69P9-3 ONLY USED IN MEXICO)
  2. (4) SCREWS 615982-001 & (4) EXTRA HEX NUTS 7555A19H01 TO BE PUT IN A POLYBAG.

NAMEPLATE DATA:	EXTERNAL CONNECTION DIAGRAM
MODEL NO.: F48W88A01 CUST. P/N: ORM5458BF HP: 1/3-1/6 ROT.: REVERSIBLE RPM: 1075 TYPE: UF FRAME: 48 VOLTS: 208-230 PH: 1 AMPS: 2.1 HZ: 60 INS.: F AMB.: 70°C DUTY: AIR OVER CAP.: 7.5 MFD/370 V ENCL: ENCLOSED UL LOGO CSA LOGO THERMALLY PROTECTED	SEP. CAP. BROWN BRN/WHT WHITE BLACK LINE ROTATION BLACK WHITE CCWLE WHITE BLACK CWLE

PERFORMANCE CURVE NO.	TORQUE @ 1075 RPM (25°C)	APPROVED SAMPLE	UL COMPONENT	CSA
C32514	32.6 OZ. FT.	0500467A	FILE # E46412 CCN # PRGY2	FILE # LR43341 CLASS # 4211-01

COLOR	LENGTH	TERMINAL OR STRIP LENGTH
GREEN (GROUND)	12.0/13.0 [305/330]	#10 EYELET
BLACK/WHITE	3.0/5.0 [76/127]	REVERSING PLUG
BROWN	48.0/51.0 [1219/1295]	.25[6.4] FLAG
BROWN/WHITE	48.0/51.0 [1219/1295]	.25[6.4] FLAG
WHITE	48.0/51.0 [1219/1295]	.50[12.7] SKIN
BLACK	48.0/51.0 [1219/1295]	.50[12.7] SKIN

REGAL-BELOIT CORPORATION (RBC) PROVIDES TECHNICAL ASSISTANCE TO OUR CUSTOMERS IN SEVERAL AREAS. SINCE RBC DOES NOT RECEIVE ALL DATA CONCERNING THE USE AND APPLICATION OF THE MOTOR, THE SUITABILITY OF THE MOTOR FOR THE APPLICATION MUST BE DETERMINED BY THE CUSTOMER.

DIMENSIONS WITHOUT TOLERANCES ARE FOR REFERENCE ONLY.	
MAIN FRAME - OLE	ENCLOSED
END FRAME - OLE	ENCLOSED
MAIN FRAME - LE	ENCLOSED
END FRAME - LE	ENCLOSED

DRAWING REVISION	REVISION BY	DATE
F	GEUNE ZHAO	05-23-2019
ECO	KEYUN QONG	05-23-2019

DRAWN BY:	DATE:
J.RUPERT	01-16-2018

APPROVED BY:	DATE:
J.RUPERT	01-16-2018

Regal Beloit America, Inc.	
DESCRIPTION	MODEL-RFHP-48FR OUTLINE
MATERIAL	PROCESS/FINISH
SIZE DWG NO	ORM5458BF
SHEET	1

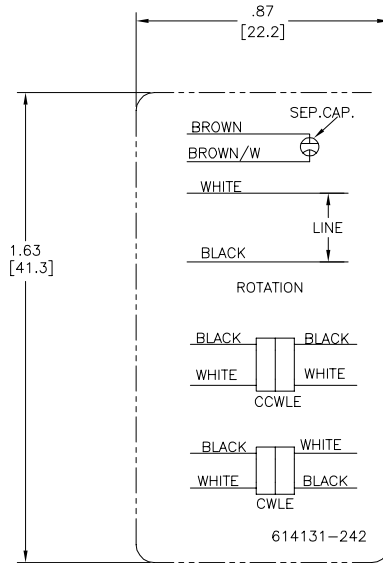
4

3

2

1

REV	ECO	REV BY	DATE	APPD	DATE
D	0029048	D.RODRIGUEZ	10-18-2012	J.HESS	10-18-2012



- NOTES:  
 1. FOR USE WITH 614129 OR 2513020-001 NAMEPLATE BLANKS  
 2. ----- INDICATES DIMENSION LIMITS

GEOMETRIC CHARACTERISTICS & SYMBOLS	
▭	FLATNESS
—	STRAIGHTNESS
∠	ANGULARITY
⊥	PERPENDICULARITY (SQUARENESS)
//	PARALLELISM
○	ROUNDNESS (CIRCULARITY)
⊘	CYLINDRICITY
△	PROFILE OF ANY SURFACE
∩	PROFILE OF ANY LINE
⌀	RUNOUT
⊕	TRUE POSITION
◎	CONCENTRICITY
⊖	SYMMETRY

UNLESS OTHERWISE SPECIFIED DIM. TOLERANCES ARE AS FOLLOWS:	
INCH	±.1 ±.02 ±.005 ±.0005
mm	±0.5 ±0.13 ±0.013
ANG. ±.50 DEG	
REMOVE BURRS & BREAK SHARP EDGES:	
INCH	.003-.015
mm	0.1-.4
CORNER FILLETS TO:	
INCH	.020
mm	0.5
MACHINE SURFACES:	
INCH	125
mm	3.2
METRIC DIMS. SHOWN IN [BRACKETS]	

DR BY:	YL	04-15-2011
APPD:	HZ	04-15-2011
THIRD ANGLE PROJECTION	⊕	EDS DATE 11-11-2011 FORMAT REV H
CONFIDENTIAL: THIS DRAWING AND ITS INFORMATION ARE THE EXCLUSIVE AND CONFIDENTIAL PROPERTY OF REGAL-BELOIT CORPORATION AND ARE NOT TO BE DISCLOSED, DUPLICATED, DISTRIBUTED OR OTHERWISE USED WITHOUT THE WRITTEN CONSENT OF REGAL-BELOIT CORPORATION. -ALL RIGHTS RESERVED.		

<b>REGAL</b> REGAL-BELOIT CORPORATION	
DESCRIPTION CONN DIAGRAM-NAMEPLATE	
SIZE C	DWG NO 614131-242
SCALE NONE	SHEET 1

4

3

2

1

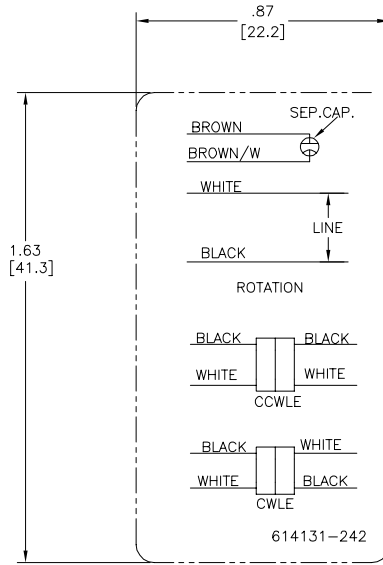
4

3

2

1

REVISION:	ECO	REVISADO POR:	FECHA:	APROBADO POR:	FECHA:
D	0029048	D.RODRIGUEZ	10-18-2012	J.HESS	10-18-2012



NOTAS:  
 1. PARA USO CON PLACA DE DATOS EN BLANCO REGAL-BELOIT BRANDS  
 2. INDICATES DIMENSION LIMITS  
 INDICA LIMITES DE DIMENSION

CARACTERISTICAS DE GEOMETRIA Y SIMBOLOS ▽ PLANICIDAD — RECTITUD ∠ ANGULARIDAD ⊥ PERPENDICULARIDAD (A ESQUADRA) // PARALELISMO ○ REDONDEZ (CIRCULARIDAD) ⌀ CILINDRICIDAD ⊖ PERFIL DE CUALQUIER SUPERFICIE ∩ PERFIL DE CUALQUIER LINEA † VARIACION ⊕ POSICION REAL ⊙ CONCENRICIDAD ≡ SIMETRIA	A MENOS QUE SE ESPECIFIQUE DE OTRA MANERA, LAS TOLERANCIAS DE LAS DIMS. SON LAS SIGUIENTES: PULG ±.1 ±.02 ±.005 ±.0005 mm ±0.5 ±0.13 ±0.013 ANG. ±50 GRADOS ELIMINAR REBASAS Y ORILLAS FILOSAS DEL BORDE. PULG .003-.015 mm 0.1-0.4 FILETEAR ESQUINA: PULG .020 mm 0.5 MAQUINAR SUPERFICIES PULG 125 mm 3.2 DIMS METRICAS MOSTRADAS [PARENTESIS]	DIBUJADO POR: YL	04-15-2011	<b>REGAL-BELOIT CORPORATION</b>
		APROBADO POR: HZ	04-15-2011	
		TERCER ANGULO DE PROYECCION	FECHA EDS: 11-11-2011 REV. FORMATO: H	TAMANO: C
		CONFIDENCIAL: ESTE DIBUJO Y SU INFORMACION SON PROPIEDAD DE USO EXCLUSIVO Y CONFIDENCIAL DE REGAL-BELOIT CORPORATION. Y NO DEBERAN SER REVELADOS, DUPLICADOS, DISTRIBUIDOS O USARSE DE OTRA MANERA SIN EL CONSENTIMIENTO ESCRITO DE REGAL-BELOIT CORPORATION. -TODOS LOS DERECHOS RESERVADOS.		NUMERO DE DIBUJO: 614131-242
				ESCALA: NONE
				HOJA: 1

4

3

2

1