

# PRODUCT INFORMATION PACKET



Model No: ORM1076  
Catalog No: ORM1076  
3/4 HP OEM Replacement Motor, 1075 RPM, 4 Speed, 115 Volts, 48 Frame, OAO  
HVAC/R OEM Replacement Motors



Regal and Century are trademarks of Regal Beloit Corporation or one of its affiliated companies.  
©2020 Regal Beloit Corporation, All Rights Reserved. MC017097E





**Nameplate Specifications**

Output HP	<b>3/4 Hp</b>	Output KW	<b>0.56 kW</b>
Frequency	<b>60 Hz</b>	Voltage	<b>115 V</b>
Current	<b>10.5 A</b>	Speed	<b>1075 rpm</b>
Service Factor	<b>1</b>	Phase	<b>1</b>
Duty	<b>Air Over</b>	Insulation Class	<b>B</b>
Frame	<b>48Y</b>	Enclosure	<b>Open Enclosed</b>
Thermal Protection	<b>Automatic</b>	Ambient Temperature	<b>40 °C</b>
UL	<b>Recognized</b>	CSA	<b>Y</b>
CE	<b>N</b>		

**Technical Specifications**

Electrical Type	<b>Permanent Split Capacitor</b>	Starting Method	<b>Across The Line</b>
Poles	<b>6</b>	Rotation	<b>Reversible</b>
Mounting	<b>Round Belly Band</b>	Motor Orientation	<b>Horizontal</b>
Drive End Bearing	<b>Ball</b>	Opp Drive End Bearing	<b>Ball</b>
Frame Material	<b>Rolled Steel</b>	Shaft Type	<b>Flat</b>
Overall Length	<b>10.61 in</b>	Frame Length	<b>5.13 in</b>
Shaft Diameter	<b>0.500 in</b>	Shaft Extension	<b>5 in</b>
Connection Drawing	<b>614131-236</b>	Outline Drawing	<b>ORM1076-S01</b>

This is an uncontrolled document once printed or downloaded and is subject to change without notice. Date Created:22/09/2020

GENERAL INFORMATION:

SHAFT RUNOUT: .001[.03] T.I.R. PER INCH LENGTH OF EXTENSION.

BEARINGS: BALL

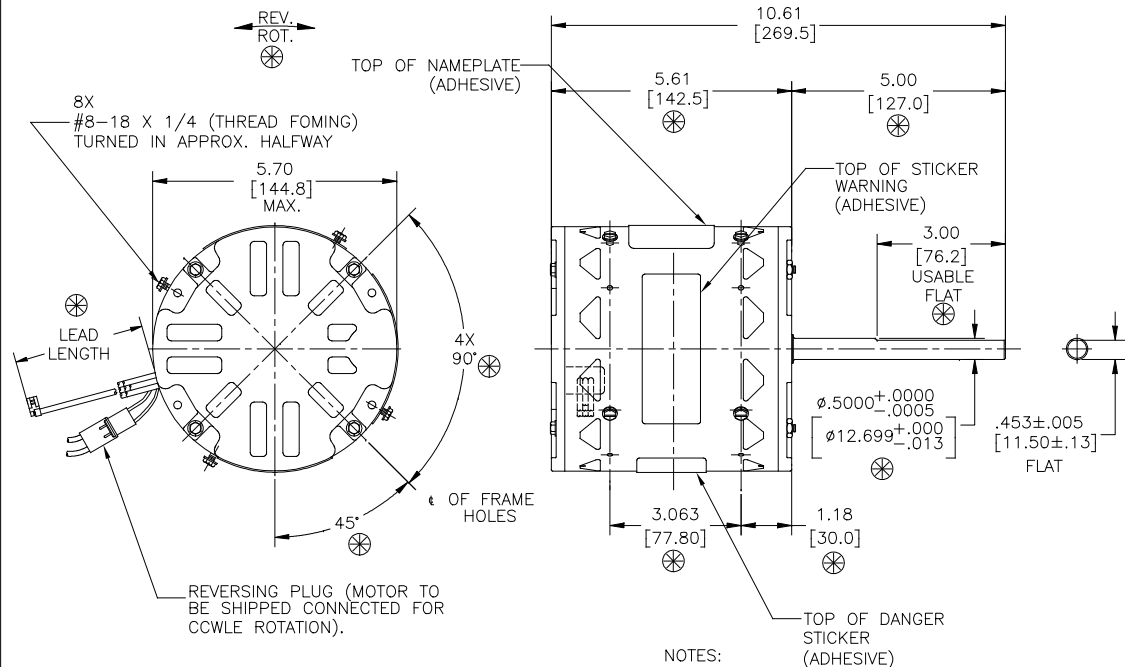
MOUNTING POSITION: HORIZONTAL

ELECTRICAL DATA:

OVERLOAD PROTECTOR: AUTOMATIC RESET (T.I. 7AM 036)

LEADS: NO. 16 GA., .06[1.5] THICKNESS PVC 105°C INSULATION.

REVERSING LEADS: NO. 18 GA., .03[.8] THICKNESS XLP 125°C INSULATION.



NOTES:

- ⊗ DENOTES CRITICAL CHARACTERISTICS
- DISTRIBUTION PART NUMBER: ORM1076  
GRAINGER PART NUMBER: 4VA34

REGAL-BELOIT CORPORATION (RBC) PROVIDES TECHNICAL ASSISTANCE TO OUR CUSTOMERS IN SEVERAL AREAS. SINCE RBC DOES NOT RECEIVE ALL DATA CONCERNING THE USE AND APPLICATION OF THE MOTOR, THE SUITABILITY OF THE MOTOR FOR THE APPLICATION MUST BE DETERMINED BY THE CUSTOMER.

DIMENSIONS WITHOUT TOLERANCES ARE FOR REFERENCE ONLY.

MAIN FRAME - OLE	OPEN
END FRAME - OLE	OPEN
MAIN FRAME - LE	OPEN
END FRAME - LE	OPEN

CUSTOMER	DISTRIBUTION SERVICE
----------	----------------------

BLACK/WHITE	3.0/5.0 [76/127]	REVERSING PLUG
BROWN	28.0/30.0 [711/762]	.25[6.4] FLAG
BROWN	28.0/30.0 [711/762]	.25[6.4] FLAG
RED	35.0/38.0 [889/965]	.25[6.4] FLAG
YELLOW	35.0/38.0 [889/965]	.25[6.4] FLAG
BLUE	35.0/38.0 [889/965]	.25[6.4] FLAG
BLACK	35.0/38.0 [889/965]	.25[6.4] FLAG
WHITE	35.0/38.0 [889/965]	.25[6.4] FLAG
COLOR	LENGTH	TERMINAL OR STRIP LENGTH

NAMEPLATE DATA: ⊗

EXTERNAL CONNECTION DIAGRAM

MODEL NO.: F48G18A01  
CUST. P/N: [ ]  
HP: 3/4  
ROT.: REVERSIBLE  
RPM: 1075/4 SPD  
TYPE: UF  
FRAME: 48Y  
VOLTS: 115  
PH: 1  
AMPS: 10.5  
HZ: 60  
INS.: B  
AMB.: 40° C  
DUTY: AIR OVER  
CAP.: 15 MFD/370 V  
ENCL: OPEN  
UL LOGO  
CSA LOGO  
THERMALLY PROTECTED

614131-236

SEP. CAP.

BROWN HI  
BROWN M-HI  
WHITE M-LO  
BLACK LO

ROTATION  
BLACK BLACK  
WHITE WHITE  
BLACK CCWLE WHITE  
WHITE CWLE BLACK

LINE

PERFORMANCE CURVE NO.	TORQUE @ 1075 RPM (25°C)	APPROVED SAMPLE	UL COMPONENT	CSA
FILE #	CCN #	FILE #	CLASS #	
C31280	75.6 OZ. FT.	95AC247A	E46412	PRGY2 LR43341 4211-01

LEAD DATA

DRAWING REVISION	REVISION BY	DATE
D	JERRY CHAI	10-07-2018
E	TRICIA NIEDERHOLTMEYER	10-07-2018

ECO-0153631  
SEE ECO

COPYRIGHT REGAL-BELOIT AMERICA, INC. ALL RIGHTS RESERVED. PROPRIETARY AND CONFIDENTIAL INFORMATION - THIS DOCUMENT IS THE PROPERTY OF REGAL-BELOIT AMERICA, INC. ("OWNER") AND CONTAINS OWNER'S PROPRIETARY INFORMATION. ANY PERSON, CORPORATION OR OTHER FIRM RECEIVING IT IS DEMAND, BY RECEIVING IT, TO AGREE THAT IT, AND/OR ANY PART OF IT, SHALL NOT BE DISCLOSED TO ANY PERSON, CORPORATION OR OTHER ENTITY, EMPLOYEE, AND/OR USER WITHOUT AS EXPRESSLY APPROVED IN WRITING BY OWNER. THIS DOCUMENT SHALL BE RETURNED TO OWNER UPON REQUEST. IT MAY BE SUBJECT TO CERTAIN RESTRICTIONS UNDER APPLICABLE EXPORT CONTROL LAWS AND REGULATIONS.

ENCLOSURE

DRAWN BY:	JEFF RUPERT
DATE:	09-21-2007
APPROVED BY:	CBRANHAM
DATE:	09-21-2007
REFERENCE:	

THIRD ANGLE PROJECTION

DESCRIPTION	MODEL-RFHP-48FR OUTLINE
MATERIAL	
SIZE	DWG NO
PROCESS/FINISH	
	ORM1076
	1