

PRODUCT INFORMATION PACKET



Model No: ORM1036V1
Catalog No: ORM1036V1
1/3 HP OEM Replacement Motor, 1075 RPM, 208-230 Volts, 48 Frame, TEAO
HVAC/R OEM Replacement Motors



Regal and Century are trademarks of Regal Beloit Corporation or one of its affiliated companies.
©2020 Regal Beloit Corporation, All Rights Reserved. MC017097E





Nameplate Specifications

Output HP	1/3 Hp	Output KW	0.25 kW
Frequency	60 Hz	Voltage	208-230 V
Current	1.5-1.8 A	Speed	1075 rpm
Service Factor	1	Phase	1
Duty	Air Over	Insulation Class	B
Frame	48Y	Enclosure	Totally Enclosed
Thermal Protection	Automatic	Ambient Temperature	40 °C
UL	Recognized	CSA	Y
CE	N		

Technical Specifications

Electrical Type	Permanent Split Capacitor	Starting Method	Across The Line
Poles	6	Rotation	Counterclockwise Lead End
Mounting	Extended Studs	Motor Orientation	Vertical Shaft Down
Drive End Bearing	Sleeve	Opp Drive End Bearing	Sleeve
Frame Material	Rolled Steel	Shaft Type	Double Flat
Overall Length	7.61 in	Frame Length	3.38 in
Shaft Diameter	0.500 in	Shaft Extension	3.3 in
Connection Drawing	614131-317	Outline Drawing	ORM1036V1-S01

This is an uncontrolled document once printed or downloaded and is subject to change without notice. Date Created:22/09/2020

GENERAL INFORMATION:

SHAFT RUNOUT: .001 [.03] T.I.R. PER INCH LENGTH OF EXTENSION

END PLAY: .010 [.25] TO .063 [1.60]

BEARINGS: SLEEVE

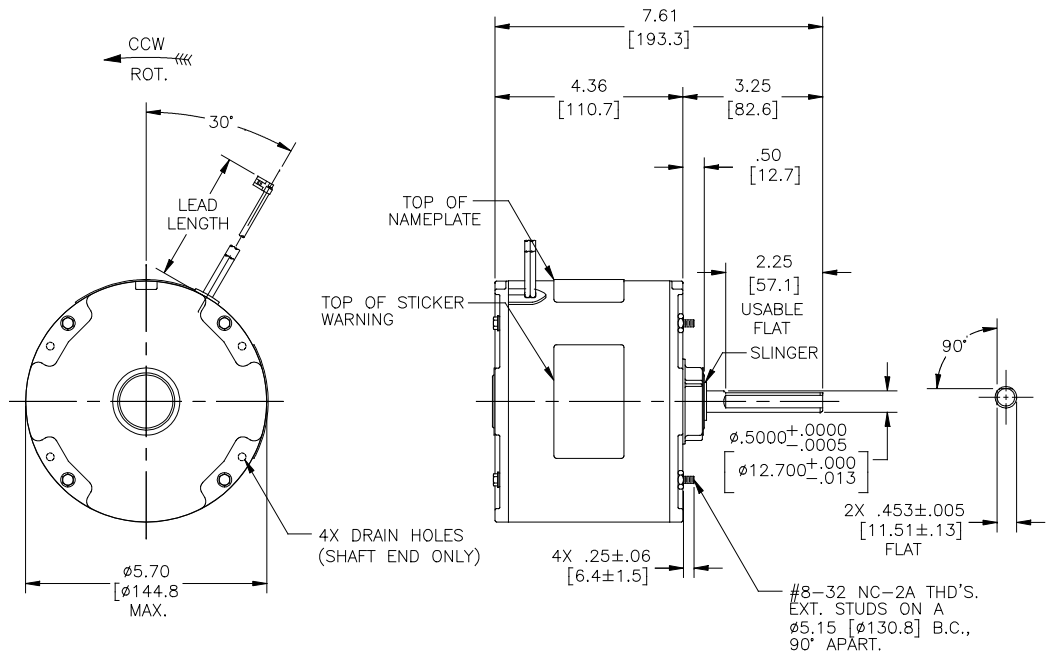
MOUNTING POSITION: VERTICAL SHAFT DOWN

ELECTRICAL DATA:

OVERLOAD PROTECTOR: AUTOMATIC RESET (SENSATA 7AM 036)

LEADS: NO. 18 GA., .06 [1.5] THK. PVC 105°C INSUL.

NOTES:
 1. DISTRIBUTION: CUST. P/N: ORM1036V1
 GRAINGER: CUST. P/N: 4UY71



SEE NOTE 1

NAMEPLATE DATA:		EXTERNAL CONNECTION DIAGRAM	
MODEL NO.: F48V39A01 CUST. P/N: <input type="text"/> HP: 1/3 ROT.: CCWLE RPM: 1075 TYPE: UF FRAME: 48Y VOLTS: 208-230 PH: 1 AMPS: 1.5-1.8 HZ: 60 INS.: B AMB.: 40°C DUTY: AIR OVER CAP.: 5 MFD/370 V ENCL: ENCLOSED UL LOGO CSA LOGO THERMALLY PROTECTED		SEP. CAP. BROWN ORANGE ORANGE BLACK LINE	
614131-317			
PERFORMANCE CURVE NO.	TORQUE @ 1075 RPM (25°C)	APPROVED SAMPLE	UL COMPONENT
C32359	25.4 OZ. FT.	0442975B	CSA
		FILE #	CCN #
		FILE #	CLASS #
		E46412	PRGY2 LR43341 4211-01

BROWN	39.0/42.0 [991/1067]	.25 [6.4] FLAG
ORANGE	39.0/42.0 [991/1067]	.25 [6.4] FLAG
ORANGE	39.0/42.0 [991/1067]	.25 [6.4] FLAG
BLACK	39.0/42.0 [991/1067]	.25 [6.4] FLAG
COLOR	LENGTH	TERMINAL OR STRIP LENGTH

MAIN FRAME - OLE	ENCLOSED
END FRAME - OLE	ENCLOSED
MAIN FRAME - LE	ENCLOSED
END FRAME - LE	ENCLOSED

CUSTOMER	DISTRIBUTION SERVICE
----------	----------------------

LEAD DATA		
DRAWING REVISION/REVISION BY	DATE	
D J. RUPERT	07-19-2018	
ECO-0149233 APPROVED BY	DATE	
J. RUPERT	07-19-2018	
ECO DESCRIPTION		
CHANGED FROM 12056-075		
<small>COPYRIGHT REGAL BELOIT AMERICA, INC. ALL RIGHTS RESERVED. REGAL BELOIT AMERICA, INC. (OWNER) AND CONTAINS OWNER'S PROPRIETARY INFORMATION. ANY REPRODUCTION OR OTHER FIRM RECEIVING IT IS DENIED, BY RECEIVING IT, TO AGREE THAT IT, AND/OR ANY PART OF IT, SHALL NOT BE DISCLOSED TO ANY PERSON, CORPORATION OR OTHER ENTITY, SUPPLIER, AND/OR USER, EXCEPT AS EXPRESSLY APPROVED IN WRITING BY OWNER. THIS DOCUMENT SHALL BE RETURNED TO OWNER UPON REQUEST. IT MAY BE SUBJECT TO CERTAIN RESTRICTIONS UNDER APPLICABLE EXPORT CONTROL LAWS AND REGULATIONS.</small>		

DRAWN BY:	J. RUPERT
DATE:	09-17-2004
APPROVED BY:	T. RILEY
DATE:	09-21-2004
REFERENCE:	12056-075
THIRD ANGLE PROJECTION	

Regal Regal Beloit America, Inc.	
DESCRIPTION	MODEL-RFHP-48FR OUTLINE
MATERIAL	PROCESS/FINISH
SIZE DWG NO	ORM1036V1
SHEET	1