

PRODUCT INFORMATION PACKET



Model No: OLE1106H
Catalog No: OLE1106H
1 HP OEM Replacement Motor, 1075 RPM, 460 Volts, 48 Frame, Semi Enclosed
HVAC/R OEM Replacement Motors



Regal and Century are trademarks of Regal Beloit Corporation or one of its affiliated companies.
©2020 Regal Beloit Corporation, All Rights Reserved. MC017097E





Nameplate Specifications

Output HP	1 Hp	Output KW	0.75 kW
Frequency	60 Hz	Voltage	460 V
Current	2.9 A	Speed	1075 rpm
Service Factor	1	Phase	1
Duty	Air Over	Insulation Class	B
Frame	48Y	Enclosure	Semi Enclosed
Thermal Protection	Automatic	Ambient Temperature	60 °C
UL	Recognized	CSA	Y
CE	N		

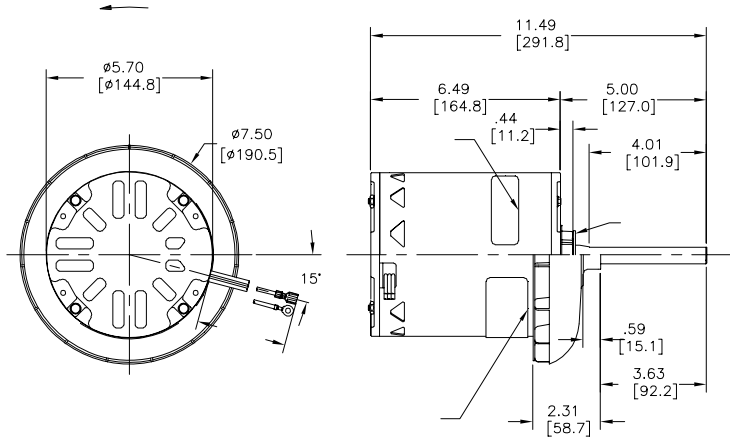
Technical Specifications

Electrical Type	Permanent Split Capacitor	Starting Method	Across The Line
Poles	6	Rotation	Counterclockwise Lead End
Mounting	Round Belly Band	Motor Orientation	Vertical Shaft Up
Drive End Bearing	Ball	Opp Drive End Bearing	Ball
Frame Material	Rolled Steel	Shaft Type	Flat
Overall Length	11.49 in	Frame Length	5.88 in
Shaft Diameter	0.625 in	Shaft Extension	3.63 in
Connection Drawing	614131-036	Outline Drawing	11702-024-S01

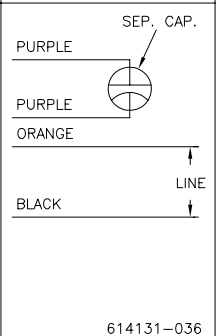
This is an uncontrolled document once printed or downloaded and is subject to change without notice. Date Created:22/09/2020

4	3	2	1																									
<p>GENERAL INFORMATION:</p> <p>SHAFT RUNOUT: .001[.03] T.I.R. PER INCH LENGTH OF EXTENSION.</p> <p>BEARINGS: BALL</p> <p>MOUNTING POSITION: VERTICAL SHAFT-UP</p> <p>ELECTRICAL DATA:</p> <p>OVERLOAD PROTECTOR: AUTOMATIC RESET (T.I. 7AM 036)</p> <p>LEADS: NO. 16 GA., .06[1.5] THK., 105°C XLP INSUL.</p> <p>NOTES: 1. DISTRIBUTION: CUST. P/N: OLE1106H GRAINGER: CUST. P/N: 4UY52</p>		<table border="1" style="width:100%; border-collapse: collapse;"> <tr> <th>REV</th> <th>ECO</th> <th>REV BY</th> <th>DATE</th> <th>APPD</th> <th>DATE</th> </tr> <tr> <td>F</td> <td>0025556</td> <td>F. MORENO</td> <td>05-02-2012</td> <td>M. AVILA</td> <td>05-02-2012</td> </tr> </table>		REV	ECO	REV BY	DATE	APPD	DATE	F	0025556	F. MORENO	05-02-2012	M. AVILA	05-02-2012													
REV	ECO	REV BY	DATE	APPD	DATE																							
F	0025556	F. MORENO	05-02-2012	M. AVILA	05-02-2012																							
<p>NAMEPLATE DATA:</p> <p>MODEL NO.: F48V05A01 CUST. P/N: []</p> <p>HP: 1.00 ROT: CCWLE RPM: 1075 TYPE: UF FRAME: 48Y VOLTS: 460 PH: 1 AMPS: 2.9 HZ: 60 INS: B AMB: 60°C DUTY: AIR OVER ENCL.: SEMI-ENCLOSED CAP.: 15 MFD/370 V UL & CSA LOGO THERMALLY PROTECTED</p>																												
<p>EXTERNAL CONNECTION DIAGRAM</p>		<table border="1" style="width:100%; border-collapse: collapse;"> <tr> <td>PURPLE</td> <td>68.0/71.0 [1727/1803]</td> <td>.25 [6.4]</td> <td>FEMALE SPADE</td> </tr> <tr> <td>PURPLE</td> <td>68.0/71.0 [1727/1803]</td> <td>.25 [6.4]</td> <td>FEMALE SPADE</td> </tr> <tr> <td>BLACK</td> <td>77.0/80.0 [1956/2032]</td> <td>#10</td> <td>EYELET</td> </tr> <tr> <td>ORANGE</td> <td>77.0/80.0 [1956/2032]</td> <td>#10</td> <td>EYELET</td> </tr> </table>		PURPLE	68.0/71.0 [1727/1803]	.25 [6.4]	FEMALE SPADE	PURPLE	68.0/71.0 [1727/1803]	.25 [6.4]	FEMALE SPADE	BLACK	77.0/80.0 [1956/2032]	#10	EYELET	ORANGE	77.0/80.0 [1956/2032]	#10	EYELET									
PURPLE	68.0/71.0 [1727/1803]	.25 [6.4]	FEMALE SPADE																									
PURPLE	68.0/71.0 [1727/1803]	.25 [6.4]	FEMALE SPADE																									
BLACK	77.0/80.0 [1956/2032]	#10	EYELET																									
ORANGE	77.0/80.0 [1956/2032]	#10	EYELET																									
<table border="1" style="width:100%; border-collapse: collapse;"> <tr> <th>PERFORMANCE CURVE NO.</th> <th>TORQUE @1075 RPM (25°C)</th> <th>APPROVED SAMPLE</th> <th>UL COMPONENT</th> <th>CSA</th> </tr> <tr> <td>C32287</td> <td>89.0 OZ. FT.</td> <td>0442971B</td> <td>E46412 PRGY2</td> <td>LR43341 4211-01</td> </tr> </table>		PERFORMANCE CURVE NO.	TORQUE @1075 RPM (25°C)	APPROVED SAMPLE	UL COMPONENT	CSA	C32287	89.0 OZ. FT.	0442971B	E46412 PRGY2	LR43341 4211-01	<table border="1" style="width:100%; border-collapse: collapse;"> <tr> <th>COLOR</th> <th>LENGTH</th> <th>TERMINAL OR STRIP LENGTH</th> </tr> <tr> <td>PURPLE</td> <td>68.0/71.0 [1727/1803]</td> <td>.25 [6.4] FEMALE SPADE</td> </tr> <tr> <td>PURPLE</td> <td>68.0/71.0 [1727/1803]</td> <td>.25 [6.4] FEMALE SPADE</td> </tr> <tr> <td>BLACK</td> <td>77.0/80.0 [1956/2032]</td> <td>#10 EYELET</td> </tr> <tr> <td>ORANGE</td> <td>77.0/80.0 [1956/2032]</td> <td>#10 EYELET</td> </tr> </table>		COLOR	LENGTH	TERMINAL OR STRIP LENGTH	PURPLE	68.0/71.0 [1727/1803]	.25 [6.4] FEMALE SPADE	PURPLE	68.0/71.0 [1727/1803]	.25 [6.4] FEMALE SPADE	BLACK	77.0/80.0 [1956/2032]	#10 EYELET	ORANGE	77.0/80.0 [1956/2032]	#10 EYELET
PERFORMANCE CURVE NO.	TORQUE @1075 RPM (25°C)	APPROVED SAMPLE	UL COMPONENT	CSA																								
C32287	89.0 OZ. FT.	0442971B	E46412 PRGY2	LR43341 4211-01																								
COLOR	LENGTH	TERMINAL OR STRIP LENGTH																										
PURPLE	68.0/71.0 [1727/1803]	.25 [6.4] FEMALE SPADE																										
PURPLE	68.0/71.0 [1727/1803]	.25 [6.4] FEMALE SPADE																										
BLACK	77.0/80.0 [1956/2032]	#10 EYELET																										
ORANGE	77.0/80.0 [1956/2032]	#10 EYELET																										
<p>GEOMETRIC CHARACTERISTICS & SYMBOLS</p> <ul style="list-style-type: none"> □ FLATNESS — STRAIGHTNESS ∠ ANGULARITY ⊥ PERPENDICULARITY (SQUARENESS) ∥ PARALLELISM ○ ROUNDNESS (CIRCULARITY) ⊘ CYLINDRICITY ⌒ PROFILE OF ANY SURFACE ⌒ PROFILE OF ANY LINE ↗ RUNOUT ⊕ TRUE POSITION ⊙ CONCENTRICITY ≡ SYMMETRY <p>ASME Y14.5M 1994</p>		<p>REGAL-BELOIT CORPORATION (RBC) PROVIDES TECHNICAL ASSISTANCE TO OUR CUSTOMERS IN SEVERAL AREAS. SINCE RBC DOES NOT RECEIVE ALL DATA CONCERNING THE USE AND APPLICATION OF THE MOTOR, THE SUITABILITY OF THE MOTOR FOR THE APPLICATION MUST BE DETERMINED BY THE CUSTOMER.</p> <p>DIMENSIONS WITHOUT TOLERANCES ARE FOR REFERENCE ONLY.</p>																										
<p>DR BY: J. WILLIAMS 09-15-2004</p> <p>APPD: T. RILEY 09-17-2004</p> <p>THIRD ANGLE PROJECTION</p> <p>EDS DATE 11-11-2011 FORMAT REV G</p> <p>CONFIDENTIAL: THIS DRAWING AND ITS INFORMATION ARE THE EXCLUSIVE AND CONFIDENTIAL PROPERTY OF REGAL-BELOIT CORPORATION AND ARE NOT TO BE DISCLOSED, DUPLICATED, DISTRIBUTED OR OTHERWISE USED WITHOUT THE WRITTEN CONSENT OF REGAL-BELOIT CORPORATION. -ALL RIGHTS RESERVED.</p>		<p>MAIN FRAME - OLE ENCLOSED</p> <p>END FRAME - OLE OPEN</p> <p>MAIN FRAME - LE OPEN</p> <p>END FRAME - LE OPEN</p> <p>ENCLOSURE</p> <p>CUST. DISTRIBUTION SERVICE</p> <p>DESCRIPTION: MODEL-RFHP-48FR OUTLINE</p> <p>SIZE C DWG NO 11702-024</p> <p>SCALE NONE SHEET 1</p>																										
4	3	2	1																									

REVISION:	ECO	REVISADO POR:	FECHA:	APROBADO POR:	FECHA:
F	0025556	F. MORENO	05-02-2012	M. AVILA	05-02-2012



MODEL NO.: F48V05A01
 CUST. P/N: []
 HP: 1.00
 ROT: CCWLE
 RPM: 1075
 TYPE: UF
 FRAME: 48Y
 VOLTS: 460
 PH: 1
 AMPS: 2.9
 HZ: 60
 INS: B
 AMB: 60°C
 DUTY: AIR OVER
 ENCL.: SEMI-ENCLOSED
 CAP.: 15 MFD/370 V
 UL & CSA LOGO
 THERMALLY PROTECTED



68.0/71.0	.25
[1727/1803]	[6.4]
68.0/71.0	.25
[1727/1803]	[6.4]
77.0/80.0	
[1956/2032]	
77.0/80.0	
[1956/2032]	

CSA					
C32287	89.0 OZ. FT.	0442971B	E46412	PRGY2	LR43341 4211-01

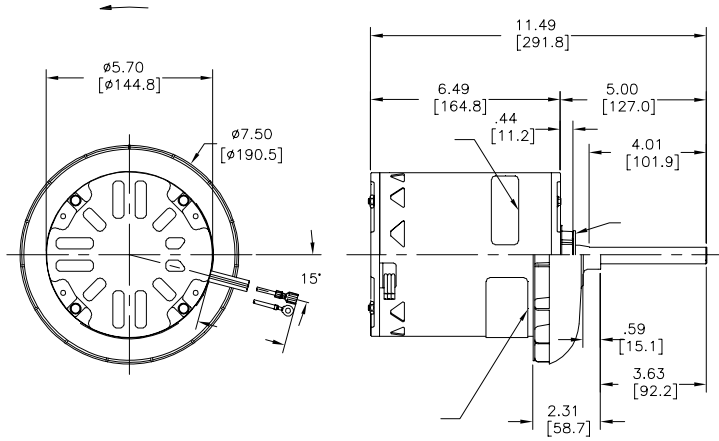
CARACTERISTICAS DE GEOMETRIA Y SIMBOLOS
 ▽ PLANICIDAD
 ⊥ RECTITUD
 ∠ ANGULARIDAD
 ⊥ PERPENDICULARIDAD (A ESCUADRA)
 // PARALELISMO
 ○ REDONDEZ (CIRCULARIDAD)
 ⌀ CILINDRICIDAD
 ⊖ PERFIL DE CUALQUIER SUPERFICIE
 ⊖ PERFIL DE CUALQUIER LINEA
 † VARIACION
 ⊕ POSICION REAL
 ⊙ CONCENRICIDAD
 ⇌ SIMETRIA ASME Y14.5M 1994

REGAL-BELOIT CORPORATION (RBC)
 PROVEE ASISTENCIA TECNICA A
 NUESTROS CLIENTES EN VARIAS AREAS.
 DESDE QUE RBC NO RECIBE TODOS
 LOS DATOS EN RELACION AL USO Y A
 LA APLICACION DEL MOTOR, LA
 APLICACION ADECUADA DEL MOTOR
 DEBE SER DETERMINADA POR EL
 CLIENTE.
 DIMENSIONES SIN TOLERANCIA SON
 DE REFERENCIA SOLAMENTE

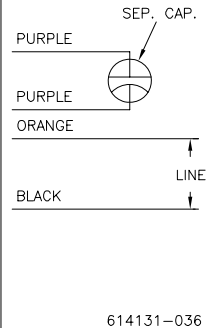
DIBUJADO POR:
 J. WILLIAMS 09-15-2004
 APROBADO POR:
 T. RILEY .09-17-2004
 TERCER ANGULO DE PROYECCION
 FECHA EDS: 11-11-2011
 REV. FORMATO: G
 CONFIDENCIAL: ESTE DIBUJO Y SU INFORMACION SON PROPIEDAD DE USO EXCLUSIVO Y CONFIDENCIAL DE REGAL-BELOIT CORPORATION. Y NO DEBERAN SER REVELADOS, DUPLICADOS, DISTRIBUIDOS O USARSE DE OTRA MANERA SIN EL CONSENTIMIENTO ESCRITO DE REGAL-BELOIT CORPORATION. -TODOS LOS DERECHOS RESERVADOS.

DESCRIPCION:
**MODEL-RFHP-48FR
 OUTLINE**
 TAMAÑO: C NUMERO DE DIBUJO:
 11702-024
 ESCALA: NONE HOJA: 1

版本	ECO	编制	日期	批准	日期
F	0025556	F. MORENO	05-02-2012	M. AVILA	05-02-2012



MODEL NO.: F48V05A01
 CUST. P/N: []
 HP: 1.00
 ROT: CCWLE
 RPM: 1075
 TYPE: UF
 FRAME: 48Y
 VOLTS: 460
 PH: 1
 AMPS: 2.9
 HZ: 60
 INS: B
 AMB: 60°C
 DUTY: AIR OVER
 ENCL.: SEMI-ENCLOSED
 CAP.: 15 MFD/370 V
 UL & CSA LOGO
 THERMALLY PROTECTED



614131-036

68.0/71.0	.25
[1727/1803]	[6.4]
68.0/71.0	.25
[1727/1803]	[6.4]
77.0/80.0	
[1956/2032]	
77.0/80.0	
[1956/2032]	

CSA					
C32287	89.0 OZ. FT.	0442971B	E46412	PRGY2	LR43341 4211-01

- 形位公差
- 平面度
- 直线度
- ∠ 倾斜度
- ⊥ 垂直度
- ∥ 平行度
- 圆度
- ⊙ 圆跳动
- ⌒ 面轮廓度
- ⌒ 线轮廓度
- ↻ 圆跳动
- ↻ 圆跳动
- ↻ 同轴度
- ↻ 对称度

ASME Y14.5M 1994

REGAL-BELOIT CORPORATION (RBC) 在个别领域为客户提供技术支持。鉴于 RBC 未收到任何涉及电机使用和应用环境的数据，电机的适用性由客户自己决定。
 未注公差尺寸仅供参考。

绘图: J. WILLIAMS 09-15-2004
 批准: T. RILEY .09-17-2004
 第三角投影
 图框格式发布日期 11-11-2011
 图框格式版本 C
 机密: 本图纸及相关信息所有权归 REGAL-BELOIT CORPORATION 所有。未经 REGAL-BELOIT CORPORATION 书面授权, 不得泄露、复制、传播或作其他用途。-- 版权所有

名称: MODEL-RFHP-48FR OUTLINE
 图幅: C 图号: 11702-024
 比例: NONE 页号: 1