

PRODUCT INFORMATION PACKET



Model No: OCB6427
Catalog No: OCB6427
1/5 HP OEM Replacement Motor, 1050 RPM, 4 Speed, 115 Volts, 42 Frame, OAO
HVAC/R OEM Replacement Motors



Regal and Century are trademarks of Regal Beloit Corporation or one of its affiliated companies.
©2020 Regal Beloit Corporation, All Rights Reserved. MC017097E





Nameplate Specifications

Output HP	1/5 Hp	Output KW	0.15 kW
Frequency	60 Hz	Voltage	115 V
Current	7.8 A	Speed	1050 rpm
Service Factor	1	Phase	1
Duty	Air Over	Insulation Class	B
Frame	42Y	Enclosure	Open Enclosed
Thermal Protection	Automatic	Ambient Temperature	40 °C
UL	Recognized	CSA	Y
CE	N		

Technical Specifications

Electrical Type	Shaded Pole	Starting Method	Across The Line
Poles	6	Rotation	Counterclockwise Lead End
Mounting	Round	Motor Orientation	Horizontal
Drive End Bearing	Sleeve	Opp Drive End Bearing	Sleeve
Frame Material	Rolled Steel	Shaft Type	Flat
Overall Length	9.20 in	Shaft Diameter	0.500 in
Shaft Extension	4.8 in		
Outline Drawing	326P157-OL-S01	Connection Drawing	263B806F02

This is an uncontrolled document once printed or downloaded and is subject to change without notice. Date Created:06/11/2020

REV	ECO	REV BY	DATE	APPD	DATE
F	0026399	J.AGUILERA	05-28-2012	R.RASCON	05-28-2012

GENERAL INFORMATION:

SHAFT RUNOUT: .001 [.03] T.I.R. PER INCH LENGTH OF EXTENSION

END PLAY: .010 TO .063 [.25 TO 1.60]

BEARINGS: SLEEVE

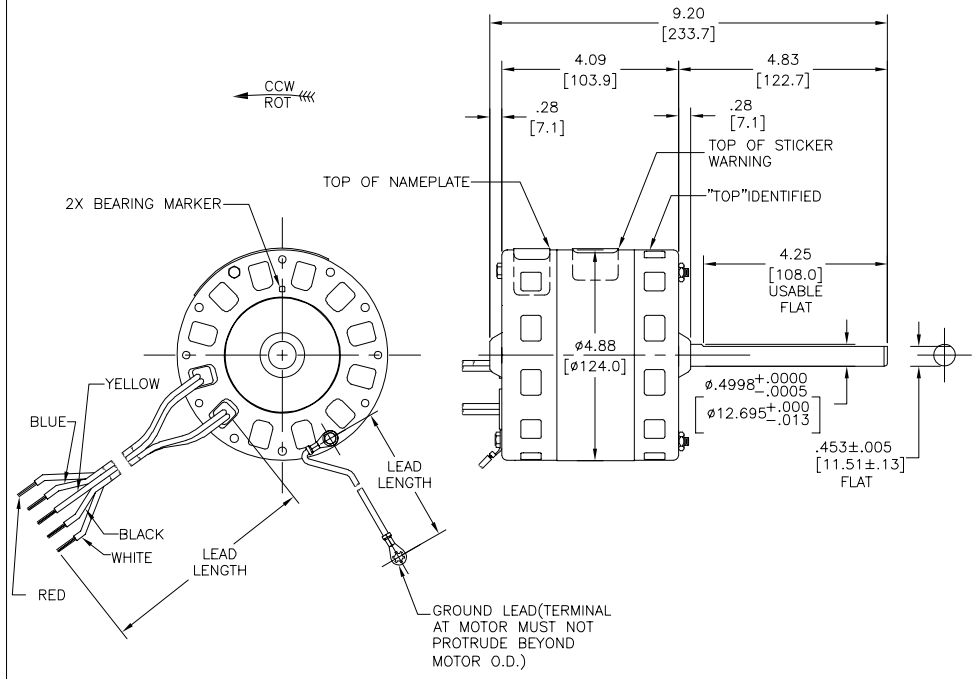
MOUNTING POSITION: HORIZONTAL

ELECTRICAL DATA:

OVERLOAD PROTECTOR: AUTOMATIC RESET (T.I. 7AM 304)

LEADS: NO. 18 GA., .06 [1.5] THK. 125°C INSUL.

GROUND LEAD: NO. 18 GA., .03 [.8] THK. (GREEN) INSUL.



NAMEPLATE DATA:	EXTERNAL CONNECTION DIAGRAM
MODEL NO.: 326P157 CUST. P/N: OCB6427 HP: 1/5 ROT.: CCWLE RPM: 1050/4 SPD TYPE: FE FRAME: 42Y VOLTS: 115 PH: 1 AMPS: 7.8 HZ: 60 INS.: B AMB.: 40° C DUTY: AIR OVER CAP.: - ENCL: OPEN UL LOGO CSA LOGO THERMALLY PROTECTED TYPE C	

COLOR	LENGTH	TERMINAL OR STRIP LENGTH
GREEN (GRD)	9.0/11.0 [229/279]	#10 EYELET
RED	12.0/14.0 [305/356]	.50[12.7] STRIP
BLUE	12.0/14.0 [305/356]	.50[12.7] STRIP
YELLOW	12.0/14.0 [305/356]	.50[12.7] STRIP
BLACK	12.0/14.0 [305/356]	.50[12.7] STRIP
WHITE	12.0/14.0 [305/356]	.50[12.7] STRIP

ENCLOSURE	
MAIN FRAME - OLE	OPEN
END FRAME - OLE	OPEN
MAIN FRAME - LE	OPEN
END FRAME - LE	OPEN

PERFORMANCE CURVE NO.	TORQUE @ 1050 RPM (25°C)	APPROVED SAMPLE	UL COMPONENT FILE #	CCN #	CSA FILE #	CLASS #
C30456	22.8 OZ. FT.	A7229B	E46412	PRGY2	LR43341	4211-01

GEOMETRIC CHARACTERISTICS & SYMBOLS

- ▭ FLATNESS
- STRAIGHTNESS
- ∠ ANGULARITY
- ⊥ PERPENDICULARITY (SQUARENESS)
- ∥ PARALLELISM
- ROUNDNESS (CIRCULARITY)
- ⊘ CYLINDRICITY
- ⌒ PROFILE OF ANY SURFACE
- ⌒ PROFILE OF ANY LINE
- ↑ RUNOUT
- ⊕ TRUE POSITION
- ⊙ CONCENTRICITY
- ⊖ SYMMETRY

ASME Y14.5M 1994

REGAL-BELOIT CORPORATION (RBC) PROVIDES TECHNICAL ASSISTANCE TO OUR CUSTOMERS IN SEVERAL AREAS. SINCE RBC DOES NOT RECEIVE ALL DATA CONCERNING THE USE AND APPLICATION OF THE MOTOR, THE SUITABILITY OF THE MOTOR FOR THE APPLICATION MUST BE DETERMINED BY THE CUSTOMER.

DIMENSIONS WITHOUT TOLERANCES ARE FOR REFERENCE ONLY.

DR BY: W. HEATH 01-08-1988
 APPD: M.M.F. 01-19-1988
 THRD ANGLE PROJECTION: EDS DATE 11-11-2011
 CONFIDENTIAL: THIS DRAWING AND ITS INFORMATION ARE THE EXCLUSIVE AND CONFIDENTIAL PROPERTY OF REGAL-BELOIT CORPORATION AND ARE NOT TO BE DISCLOSED, DUPLICATED, DISTRIBUTED OR OTHERWISE USED WITHOUT THE WRITTEN CONSENT OF REGAL-BELOIT CORPORATION. -ALL RIGHTS RESERVED.

REGAL REGAL-BELOIT CORPORATION

DESCRIPTION: MODEL-RFHP-42FR OUTLINE

SIZE: C DWG NO: 326P157-0L

SCALE: NONE SHEET 1

REVISIÓN:	ECO	REVISADO POR:	FECHA:	APROBADO POR:	FECHA:
F	0026399	J.AGUILERA	05-28-2012	R.RASCON	05-28-2012

INFORMACION GENERAL:

OSCILACION DE FLECHA: .001 [.03] L.T.I. LONGITUD DE EXTENSION POR PULG.

JUEGO AXIAL: .010 A .063 [.25 A 1.60]

BALEROS: MANGA

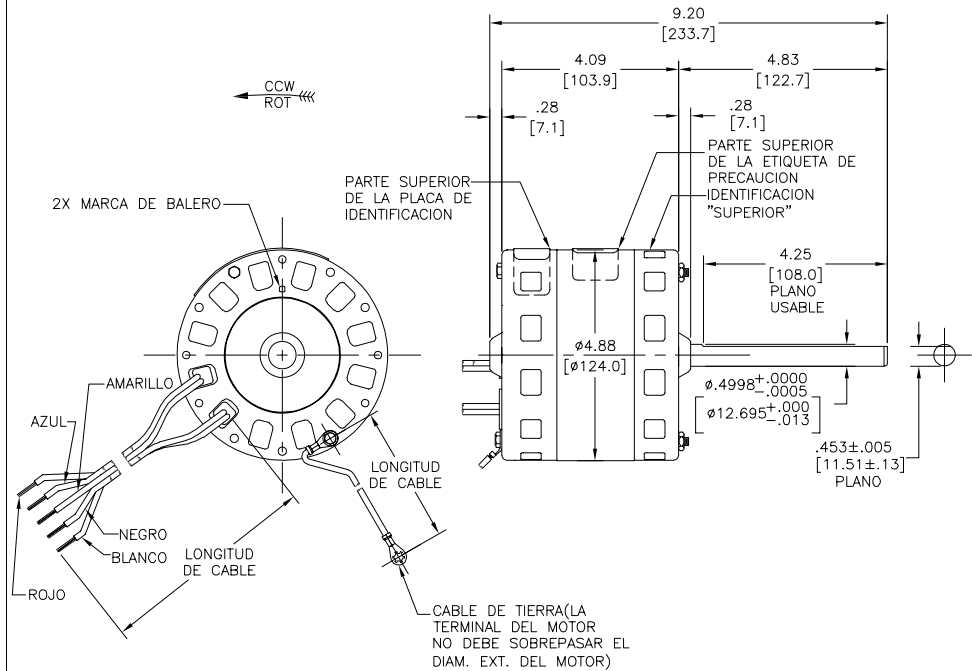
POSICION DEL MONTAJE: HORIZONTAL

INFORMACION ELECTRICA:

PROTECTOR DE SOBRECARGA: REINICIO AUTOMATICO (T.I. 7AM 304)

CABLES: NO. 18 GA., .06 [1.5] THK. PVC 125°C AISLAM.

CABLE DE TIERRA: NO. 18 GA., .03 [.8] THK. (VERDE) AISLAM.



VERDE(TIERRA)	9.0/11.0 [229/279]	#10 OJAL
ROJO	12.0/14.0 [305/356]	.50[12.7] DESFORRE
AZUL	12.0/14.0 [305/356]	.50[12.7] DESFORRE
AMARILLO	12.0/14.0 [305/356]	.50[12.7] DESFORRE
NEGRO	12.0/14.0 [305/356]	.50[12.7] DESFORRE
BLANCO	12.0/14.0 [305/356]	.50[12.7] DESFORRE
COLOR	LONGITUD	TERMINAL O LONGITUD DE DESFORRE

CARCASA - LOC	ABIERTO
TAPA - LOC	ABIERTO
CARCASA - LC	ABIERTO
TAPA - LC	ABIERTO

CLIENTE	DISTRIBUTION SERVICE
---------	----------------------

INFORMACION DE ETIQUETA:	DIAGRAMA DE CONEXION EXTERNA
MODEL NO.: 326P157 CUST. P/N: OCB6427 HP: 1/5 ROT.: CCWLE RPM: 1050/4 SPD TYPE: FE FRAME: 42Y VOLTS: 115 PH: 1 AMPS: 7.8 HZ: 60 INS.: B AMB.: 40° C DUTY: AIR OVER CAP.: - ENCL: OPEN UL LOGO CSA LOGO THERMALLY PROTECTED	

CURVAS DE FUNCIONAMIENTO	TORSION @ 1050 RPM (25°C)	MUESTRA APROBADA	COMPONENTE UL	CSA
C30456	22.8 OZ. FT.	A7229B	E46412 PRGY2	LR43341 4211-01

CARACTERISTICAS DE GEOMETRIA Y SIMBOLOS

- PLANICIDAD
- RECTITUD
- ANGULARIDAD
- PERPENDICULARIDAD (A ESQUADRA)
- PARALELISMO
- REDONDEZ (CIRCULARIDAD)
- CILINDRICIDAD
- PERFIL DE CUALQUIER SUPERFICIE
- PERFIL DE CUALQUIER LINEA
- VARIACION
- POSICION REAL
- CONCENTRICIDAD
- SIMETRIA

ASME Y14.5M 1994

REGAL-BELOIT CORPORATION (RBC) PROVEE ASISTENCIA TECNICA A NUESTROS CLIENTES EN VARIAS AREAS. DESDE QUE RBC NO RECIBE TODOS LOS DATOS EN RELACION AL USO Y A LA APLICACION DEL MOTOR, LA APLICACION ADECUADA DEL MOTOR DEBE SER DETERMINADA POR EL CLIENTE.

DIMENSIONES SIN TOLERANCIA SON DE REFERENCIA SOLAMENTE

DIBUJADO POR:	W. HEATH	01-08-1988
APROBADO POR:	M.M.F.	01-19-1988
TERCER ANGULO DE PROYECCION		FECHA EDS: 11-11-2011 REV. FORMATO: H

CONFIDENCIAL: ESTE DIBUJO Y SU INFORMACION SON PROPIEDAD DE USO EXCLUSIVO Y CONFIDENCIAL DE REGAL-BELOIT CORPORATION. Y NO DEBERAN SER REVELADOS, DUPLICADOS, DISTRIBUIDOS O USARSE DE OTRA MANERA SIN EL CONSENTIMIENTO ESCRITO DE REGAL-BELOIT CORPORATION. -TODOS LOS DERECHOS RESERVADOS.

REGAL-BELOIT CORPORATION	
DESCRIPCION:	MODEL-RFHP-42FR OUTLINE
TAMAÑO:	C
NUMERO DE DIBUJO:	326P157-0L
ESCALA:	NONE
HOJA:	1

版本	ECO	编制	日期	批准	日期
F	0026399	J.AGUILERA	05-28-2012	R.RASCON	05-28-2012

总技术要求:

轴跳动: .001/1 [.03/25.4] (外伸轴)

端部窜动量: .010 - .063 [.25 - 1.60]

轴承: 含油轴承

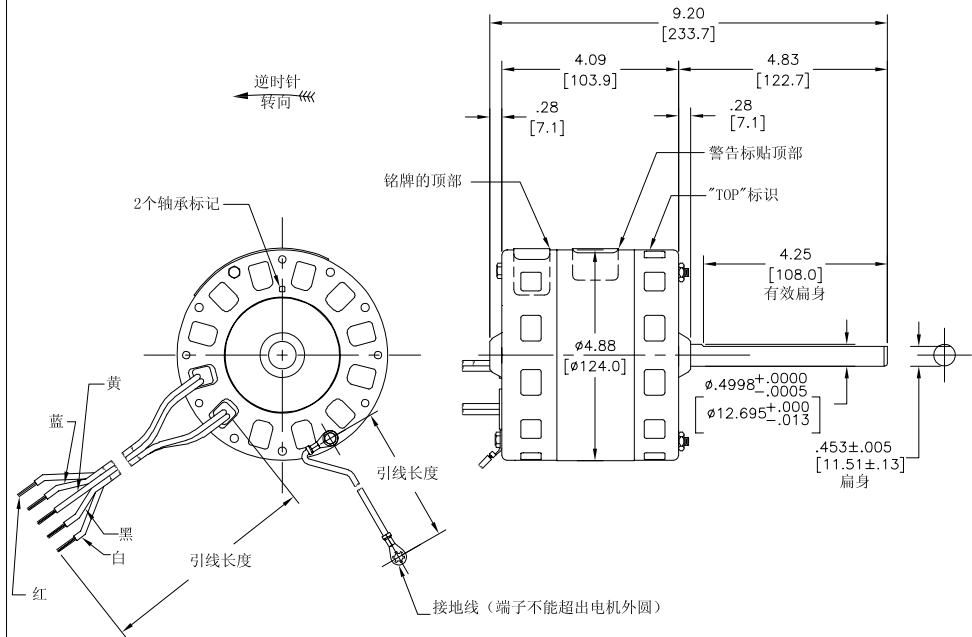
安装位置: 水平

电气数据:

过载保护: 自动复位 (T. I. 7AM 304)

引线: 18GA, 厚.06[1.5] 125°C 绝缘

接地线: 18GA, 厚.03[0.8] 绿色绝缘



颜色	长度	端子或剥线长度
绿 (接地)	9.0/11.0 [229/279]	#10 金属圈
红	12.0/14.0 [305/356]	.50 [12.7] 剥线长
蓝	12.0/14.0 [305/356]	.50 [12.7] 剥线长
黄	12.0/14.0 [305/356]	.50 [12.7] 剥线长
黑	12.0/14.0 [305/356]	.50 [12.7] 剥线长
白	12.0/14.0 [305/356]	.50 [12.7] 剥线长

无引线端机壳	开启
无引线端端盖	开启
有引线端机壳	开启
有引线端端盖	开启

铭牌数据	外部数据线
MODEL NO.: 326P157 CUST. P/N: OCB6427 HP: 1/5 ROT.: CCWLE RPM: 1050/4 SPD TYPE: FE FRAME: 42Y VOLTS: 115 PH: 1 AMPS: 7.8 HZ: 60 INS.: B AMB.: 40° C DUTY: AIR OVER CAP.: - ENCL: OPEN UL LOGO CSA LOGO THERMALLY PROTECTED	<p>RED — LO</p> <p>BLU — ML</p> <p>YEL — MH</p> <p>BLK — HL</p> <p>WHT —</p> <p>LINE</p>

性能曲线编号	转矩 @ 1050 RPM (25° C)	批准样品	UL部件		CSA	
			文件号	指南	文件号	指南
C30456	22.8 OZ. FT.	A7229B	E46412	PRGY2	LR43341	4211-01

形位公差 □ 平面度 ⊥ 垂直度 ∠ 倾斜度 // 平行度 ○ 圆度 ⊙ 圆跳动 ⊕ 位置度 ⊖ 对称度	REGAL-BELOIT CORPORATION (RBC) 在个别领域为客户提供技术支持。鉴于RBC未收到任何涉及电机使用和应用环境的数据，电机的适用性由客户自己决定。 未注公差尺寸仅供参考。
--	--

除图: 批准: W. HEATH 01-08-1988 M.M.F. 01-19-1988 第三角投影 图框格式发布日期 11-11-2011 图框格式版本 H 机密: 本图纸及相关信息所有权归REGAL-BELOIT CORPORATION。未经REGAL-BELOIT CORPORATION书面授权, 不得泄露、复制、传播或作其他用途。--版权所有	名称: MODEL-RFHP-42FR OUTLINE 图号: 326P157-0L 比例: NONE 页号: 1
---	--

密封性 用户 DISTRIBUTION SERVICE
