

PRODUCT INFORMATION PACKET



Model No: OAD1106

Catalog No: OAD1106

1 HP OEM Replacement Motor, 1075 RPM, 208-230/460 Volts, 48 Frame, Semi Enclosed
HVAC/R OEM Replacement Motors



Regal and Century are trademarks of Regal Beloit Corporation or one of its affiliated companies.
©2020 Regal Beloit Corporation, All Rights Reserved. MC017097E

REGAL



Nameplate Specifications

Output HP	1 Hp	Output KW	0.75 kW
Frequency	60 Hz	Voltage	208-230/460 V
Current	6.2/3.1 A	Speed	1075 rpm
Service Factor	1	Phase	1
Duty	Air Over	Insulation Class	B
Frame	48Y	Enclosure	Semi Enclosed
Thermal Protection	Automatic	Ambient Temperature	40 °C
UL	Recognized	CSA	Y
CE	N		

Technical Specifications

Electrical Type	Permanent Split Capacitor	Starting Method	Across The Line
Poles	6	Rotation	Counterclockwise Lead End
Mounting	Round Belly Band	Motor Orientation	Vertical Shaft Up
Drive End Bearing	Ball	Opp Drive End Bearing	Ball
Frame Material	Rolled Steel	Shaft Type	Double Flat
Overall Length	10.05 in	Frame Length	5.50 in
Shaft Diameter	0.625 in	Shaft Extension	3.5 in
Outline Drawing	OAD1106-S01	Connection Drawing	614131-213

This is an uncontrolled document once printed or downloaded and is subject to change without notice. Date Created:22/09/2020

GENERAL INFORMATION:

SHAFT RUNOUT: .001[.03] T.I.R. PER INCH LENGTH OF EXTENSION

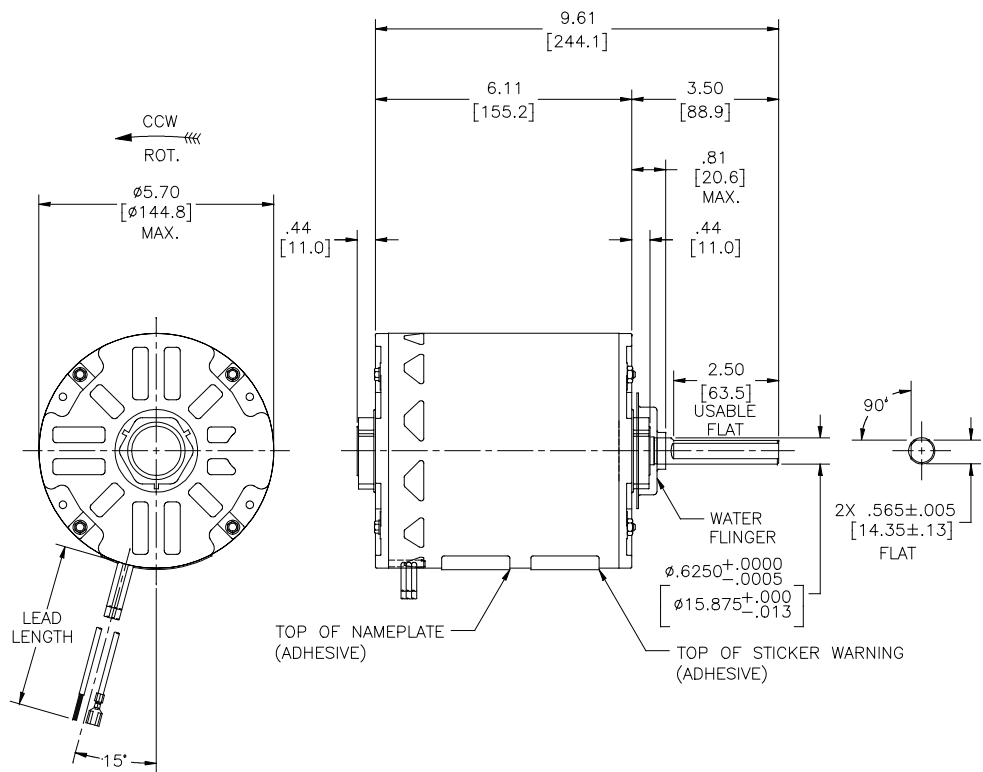
BEARINGS: BALL

MOUNTING POSITION: VERTICAL SHAFT UP

ELECTRICAL DATA:

OVERLOAD PROTECTOR: AUTOMATIC RESET (SENSATA 7AM 036)

LEADS: NO. 16 & 18 GA., .06 [1.5] THK. PVC 105' C INSUL.



NAMEPLATE DATA:	EXTERNAL CONNECTION DIAGRAM
MODEL NO.: F48F07A01 CUST. P/N: OAD1106 HP: 1.0 ROT.: CCWLE RPM: 1075 TYPE: UF FRAME: 48Y VOLTS: 208-230/460 PH: 1 AMPS: 6.2/3.1 HZ: 60 INS.: B AMB.: 40° C DUTY: AIR OVER CAP.: 15 MFD/370 V ENCL: SEMI-ENCL. UL LOGO CSA LOGO THERMALLY PROTECTED	<p>SEP.CAP. RED YELLOW ORANGE WHITE PURPLE BROWN HIGH VOLTS</p> <p>SEP.CAP. RED YELLOW WHITE ORANGE BROWN PURPLE LOW VOLTS 614131-213</p>

PURPLE	16 GA.	110.0/114.0 [2794/2896]	.60 [15.2] SKIN
WHITE	18 GA.	12.0/14.0 [305/356]	.25 [6.4] FEMALE SPADE
RED	18 GA.	12.0/14.0 [305/356]	.25 [6.4] FEMALE SPADE
YELLOW	16 GA.	12.0/14.0 [305/356]	.25 [6.4] FEMALE SPADE
ORANGE	18 GA.	12.0/14.0 [305/356]	.60 [15.2] SKIN
BROWN	18 GA.	12.0/14.0 [305/356]	.60 [15.2] SKIN
COLOR	WIRE SIZE	LENGTH	TERMINAL OR STRIP LENGTH

REGAL-BELOIT CORPORATION (RBC) PROVIDES TECHNICAL ASSISTANCE TO OUR CUSTOMERS IN SEVERAL AREAS. SINCE RBC DOES NOT RECEIVE ALL DATA CONCERNING THE USE AND APPLICATION OF THE MOTOR, THE SUITABILITY OF THE MOTOR FOR THE APPLICATION MUST BE DETERMINED BY THE CUSTOMER.

DIMENSIONS WITHOUT TOLERANCES ARE FOR REFERENCE ONLY.

MAIN FRAME - OLE	ENCLOSED
END FRAME - OLE	ENCLOSED
MAIN FRAME - LE	OPEN
END FRAME - LE	OPEN

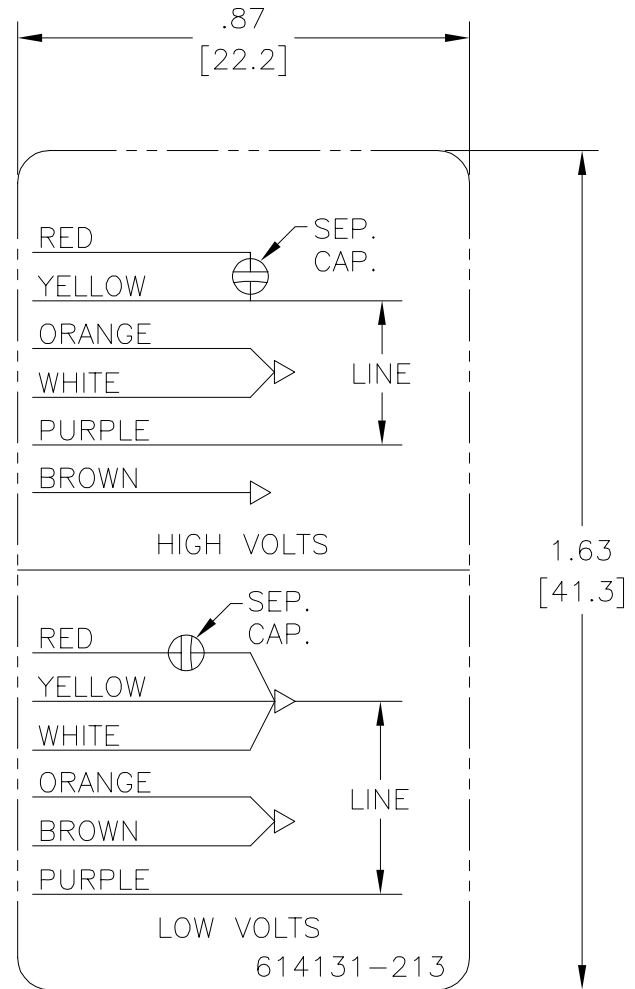
CUSTOMER	DISTRIBUTION SERVICE
----------	----------------------

PERFORMANCE CURVE NO.	TORQUE @ 1075 RPM (25°C)	APPROVED SAMPLE	UL COMPONENT	CSA		
FILE #	CCN #	FILE #	CLASS #	FILE #	CLASS #	
C31137	74.9 OZ. FT.	96AC283A	E46412	PRGY2	LR43341	4211-01

DRAWING REVISION		DATE	DRAWN BY: J. RUPERT	DESCRIPTION	MATERIAL	SIZE	DWG NO	SHEET
C	J. RUPERT	07-27-2018						
ECC	APPROVED BY: J. RUPERT	DATE 07-27-2018						
ECC DESCRIPTION REDRAWN FROM 12052-003								
COPYRIGHT REGAL-BELOIT AMERICA, INC. ALL RIGHTS RESERVED. INFORMATION AND CONFIDENTIAL INFORMATION - THIS DOCUMENT IS THE PROPERTY OF REGAL-BELOIT AMERICA, INC. (OWNER) AND CONTAINS OWNER'S PROPRIETARY INFORMATION. ANY REPRODUCTION OR OTHER FIRM RECEIVING IT IS GRANTED, BY RECEIVING IT, TO AGREE THAT IT, AND/OR ANY PART OF IT, SHALL NOT BE DISCLOSED TO ANY PERSON, CORPORATION OR OTHER ENTITY, EMPLOYEE, AND/OR USER, EXCEPT AS EXPRESSLY APPROVED IN WRITING BY OWNER. THIS DOCUMENT SHALL BE RETURNED TO OWNER UPON REQUEST. IT MAY BE SUBJECT TO CERTAIN RESTRICTIONS UNDER APPLICABLE EXPORT CONTROL LAWS AND REGULATIONS.								
THIRD ANGLE PROJECTION								
REGAL-BELOIT CORPORATION				MODEL-RFHP-48FR OUTLINE		OAD1106		1

Uncontrolled Copy

REV	ECO	REV BY	DATE	APPD	DATE
B	ECO-0026996	jrupert	06-21-2012	jrupert	03-21-2012



NOTES:

1. FOR USE WITH 614129 NAMEPLATE BLANK
2. — — — — — INDICATES DIMENSION LIMITS
3. DIE TO BE MADE FROM MASTER SUPPLIED BY REDAL BELOIT CORPORATION.
4. DIE MUST PRODUCE A LEGIBLE IMPRESSION.

GEOMETRIC CHARACTERISTICS & SYMBOLS

- ▭ FLATNESS
- STRAIGHTNESS
- ∠ ANGULARITY
- ⊥ PERPENDICULARITY (SQUARENESS)
- ∥ PARALLELISM
- ROUNDNESS (CIRCULARITY)
- ⊘ CYLINDRICITY
- △ PROFILE OF ANY SURFACE
- △ PROFILE OF ANY LINE
- ∩ RUNOUT
- ⊕ TRUE POSITION
- ⊙ CONCENTRICITY
- ⊖ SYMMETRY

ASME Y14.5M 1994

UNLESS OTHERWISE SPECIFIED DIM. TOLERANCES ARE AS FOLLOWS:

	X	XX	XXX	XXXX
INCH	±.1	±.02	±.005	±.0005
mm	±0.5	±0.13	±0.013	

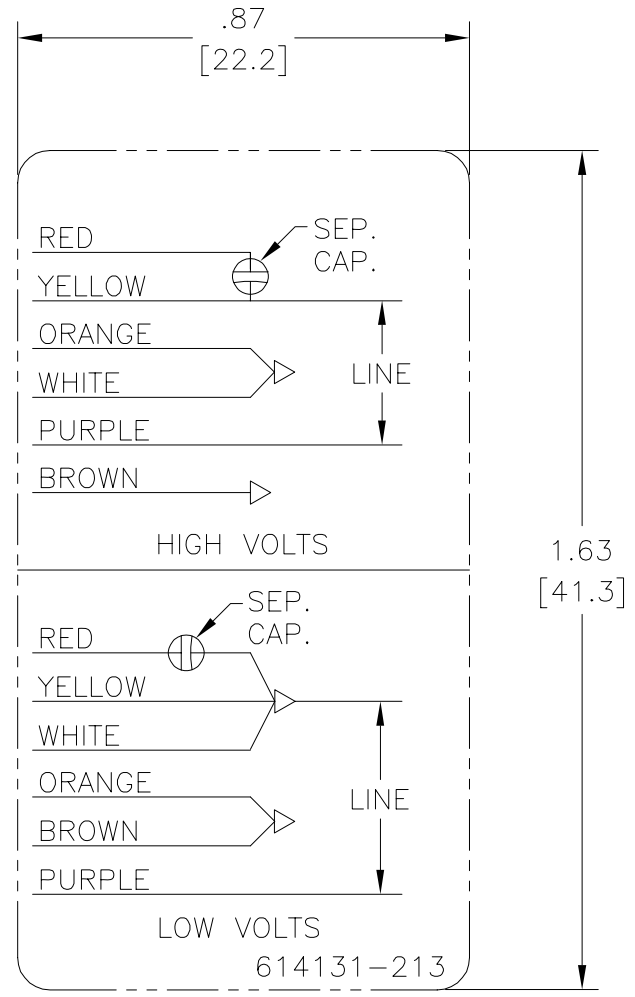
ANG. ±.50 DEG
 REMOVE BURRS & BREAK SHARP EDGES:
 INCH .003-.015 mm 0.1-0.4
 CORNER FILLETS TO:
 INCH .020 mm 0.5
 MACHINE SURFACES:
 INCH 125 mm 3.2
 METRIC DIMS. SHOWN IN [BRACKETS]

DR BY:	jrupert	06-21-2012
APPD:	jrupert	06-21-2012
THIRD ANGLE PROJECTION		EDS DATE 11-11-2011 FORMAT REV H
CONFIDENTIAL: THIS DRAWING AND ITS INFORMATION ARE THE EXCLUSIVE AND CONFIDENTIAL PROPERTY OF REGAL-BELOIT CORPORATION AND ARE NOT TO BE DISCLOSED, DUPLICATED, DISTRIBUTED OR OTHERWISE USED WITHOUT THE WRITTEN CONSENT OF REGAL-BELOIT CORPORATION. -ALL RIGHTS RESERVED.		

REGAL-BELOIT CORPORATION	
DESCRIPTION CONN DIAGRAM-NAMEPLATE	
SIZE A	DWG NO 614131-213
SCALE NONE	SHEET 1

Uncontrolled Copy

版本	ECO	编制	日期	批准	日期
B	ECO-0026996	jrupert	06-21-2012	jrupert	03-21-2012



NOTES:

1. FOR USE WITH 614129 NAMEPLATE BLANK
2. — — — — — INDICATES DIMENSION LIMITS
3. DIE TO BE MADE FROM MASTER SUPPLIED BY REDAL BELOIT CORPORATION.
4. DIE MUST PRODUCE A LEGIBLE IMPRESSION.

形位公差 ▽ 平面度 — 直线度 ∠ 倾斜度 ⊥ 垂直度 ∥ 平行度 ○ 圆度 ⊘ 圆柱度 面轮廓度 线轮廓度 圆跳动 ⊕ 位置度 ◎ 同轴度 ≡ 对称度	除另有注明 尺寸公差如下: 英寸 X XX XXX XXXX 英寸 ±.1 ±.02 ±.005 ±.0005 毫米 ±0.5 ±0.13 ±0.013 角度 ±.50 度 清理毛刺和尖棱 英寸 .003-.015 毫米 0.1-0.4 内圆角 英寸 .020 毫米 0.5 表面粗糙度 英制 125 米制 3.2 米制尺寸显示在 []
--	---

绘图:	jrupert	06-21-2012	图纸格式发布日期 11-11-2011 图纸格式版本 H
批准:	jrupert	06-21-2012	
第三角投影	机密:本图纸及相关信息所有权归REGAL-BELOIT CORPORATION 未经REGAL-BELOIT CORPORATION书面授权,不得泄露、 复制、传播或作其他用途。--版权所有		

REGAL-BELOIT CORPORATION	
名称 CONN DIAGRAM-NAMEPLATE	
图幅 A	图号 614131-213
比例 NONE	页号 1

ASME Y14.5M 1994