

1803 LG Vapor-Proof Fixture with Lexan Globe

Part Number: 11803LG0000

FEATURES

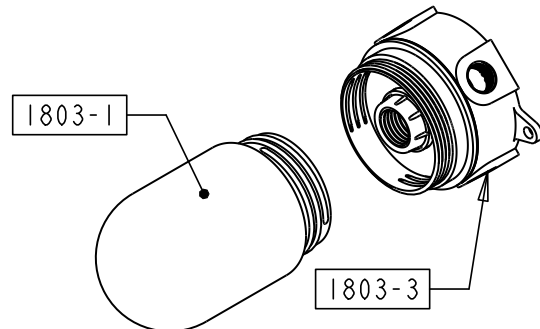
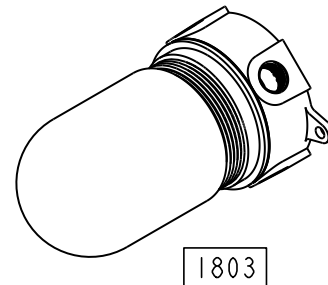
- Fully gasketed and enclosed to minimize effects of temperature extremes
- Junction box has two tabs for surface mounting
- Base tapped on four sides and top to accept 1/2" (12.7 mm) conduit
- Four threaded plugs provided to seal unused conduit openings
- Ground screw provided

MATERIALS

- Polycarbonate lens
- Aluminum housing

DESIGN CRITERIA

- Designed for damp/wet/cooler/freezer environments
- Not for use in dwellings
- Operating temperature: -40°F (-40°C) to 104°F (40°C)
- Surface mounted, ANSI E26 Edison base socket
- 100 W Vertical mounted incandescent
- 75 W Horizontal mounted incandescent
- Accepts Edison based 120 V LED lamps (recommended), 120 VAC, 50/60 Hz
- Safety Standards: LM-79 Tested, RoHS, UL Listed US & Canada, File E57013, NSF Component



May be shipped as shown

Part No.	Description
11803LG0000	Vapor-proof Fixture with Lexan Globe
11803000001	Lexan Globe
11803000003	Junction Box
11802CA0E26	LED Lamp 120 V, 11 W, 4000K, Edison Base 50 count



1803 LG Vapor-Proof Fixture with Lexan Globe

Part Number: 11803LG0000

