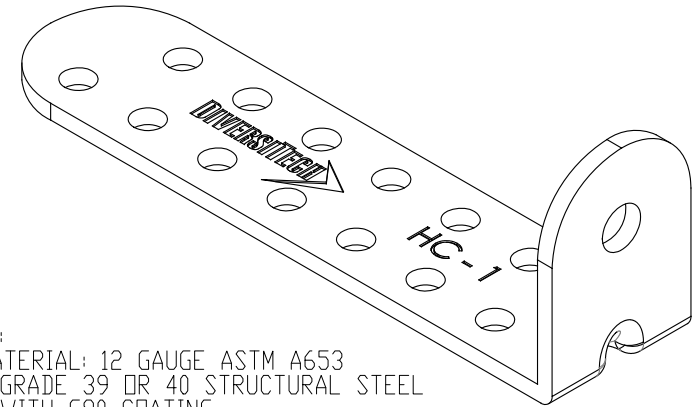
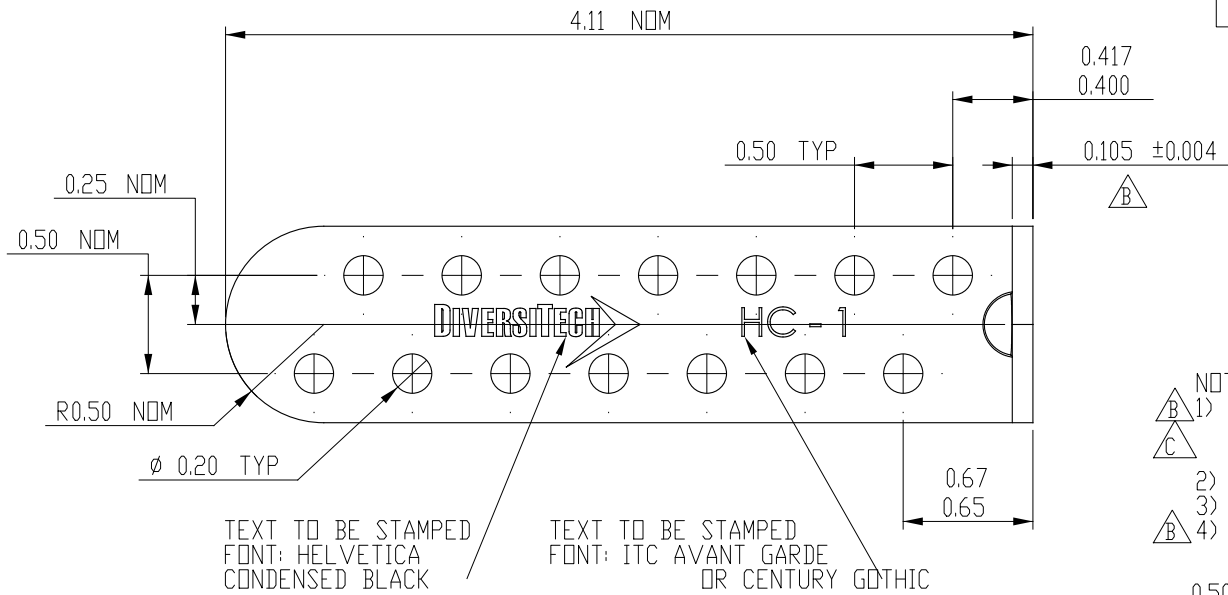
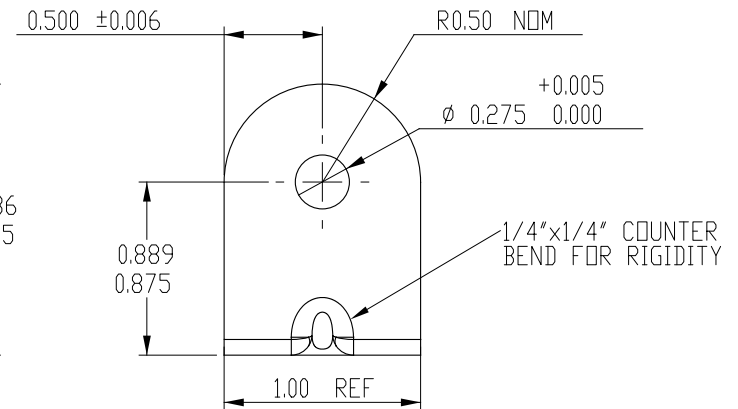



HC-1 Mounting Clips are in accordance with the 6th Edition (2017) of the Florida Building Code - Section 1620 High Velocity Hurricane Zones.

REVISIONS				
ZONE	REV.	DESCRIPTION	DATE	APPROVED
3	B	- CHANGED MATERIAL TO 12 GAUGE - ADDED NOTE 4 - REDRAWN IN SOLIDWORKS	8/31/2010	
3	C	- ADDED G90 COATING TO NOTE 1	9/27/2010	



- NOTES:
- ⚠ 1) MATERIAL: 12 GAUGE ASTM A653
GRADE 39 OR 40 STRUCTURAL STEEL
WITH G90 COATING
 - ⚠ 2) PARTS MUST BE FREE OF SHARP EDGES
 - ⚠ 3) BURRS MUST BE LESS THAN 0.004"
 - ⚠ 4) ART FOR DIVERSITECH LOGO AND PART
NUMBER TO BE PROVIDED SEPARATELY



		UNLESS OTHERWISE SPECIFIED, DIMENSIONS ARE IN INCHES (MILLIMETERS). TOLERANCES ARE: INCHES (MILLIMETERS) .X = ±.1 [.X = ±.25] .XX = ±.05 [.X = ±.13] .XXX = ±.005 [.XX = ±.13]	CONFIDENTIAL-PROPRIETARY-DO NOT COPY THE INFORMATION SET FORTH IN THIS DOCUMENT AND RELATED INFORMATION IS THE CONFIDENTIAL PROPERTY OF DIVERSITECH CORPORATION, AND IS NOT TO BE COPIED OR REPRODUCED OR DISTRIBUTED IN ANY FORM WITHOUT PRIOR WRITTEN PERMISSION FROM DIVERSITECH CORPORATION.		
		MATERIAL 12 GAUGE ASTM A653 GRADE 39 OR 40 STRUCTURAL STEEL	APPROVALS DRAWN RMB CHECKED JS ECN		
		FINISH	TITLE: HURRICANE CLIP		
		WEIGHT	DWG. NO. A HC - 1		REV D
NEXT ASSY	USED ON	VOLUME	SCALE: 1:1 UNITS IN[MM] PROJ. NO.: ##### SHEET 1 OF 1		
APPLICATION					