

PRODUCT INFORMATION PACKET



Model No: H767V1

Catalog No: H767V1

1.5 HP Condenser Fans HVAC/R Motor, 3 phase, 1200 RPM, 200-230/460 V, 56Y Frame, OPAO
Condenser Fans Motors



Regal and Century are trademarks of Regal Beloit Corporation or one of its affiliated companies.
©2020 Regal Beloit Corporation, All Rights Reserved. MC017097E

The REGAL logo consists of the word 'REGAL' in a bold, white, sans-serif font, set against a dark grey, trapezoidal background that tapers to the right. This logo is positioned on a blue, halftone-patterned vertical band that runs down the right side of the page.

REGAL



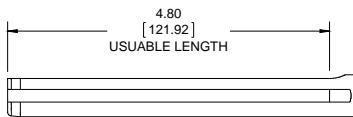
Nameplate Specifications

Output HP	1.5 Hp	Output KW	1.1 kW
Frequency	60 Hz	Voltage	200-230/460 V
Current	5.1-5.0/2.5 A	Speed	1140 rpm
Service Factor	1	Phase	3
Duty	Continuous	Insulation Class	B
Frame	56Y	Enclosure	Open Air Over
Thermal Protection	Thermally Protected	Ambient Temperature	60 °C
UL	Recognized	CSA	Y
CE	N		

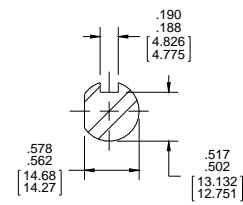
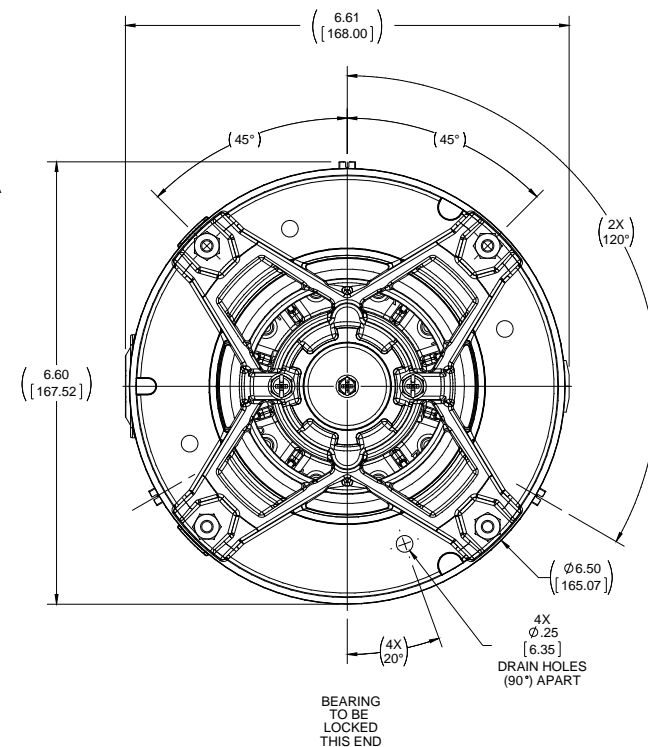
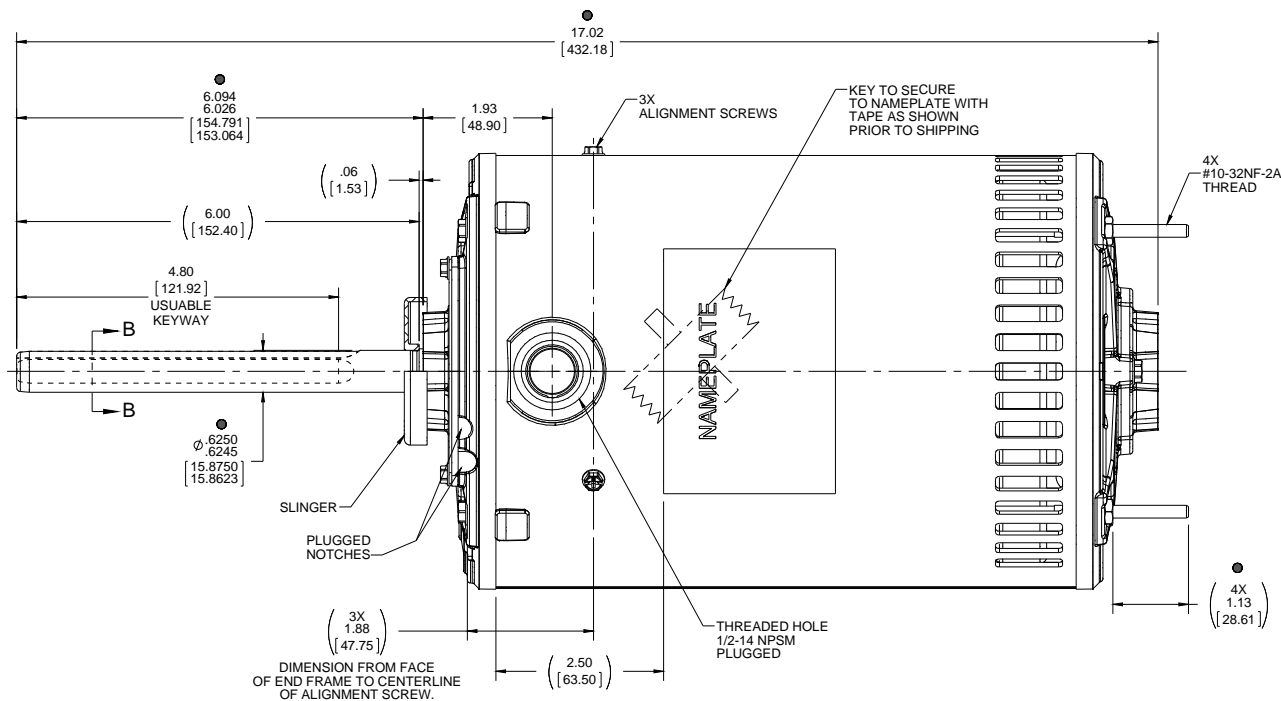
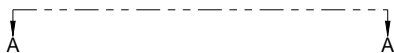
Technical Specifications

Electrical Type	Three Phase	Starting Method	Across The Line
Poles	6	Rotation	Reversible
Mounting	Round	Drive End Bearing	Ball
Opp Drive End Bearing	Ball	Frame Material	Rolled Steel
Shaft Type	Keyed	Overall Length	17.02 in
Frame Length	8.65 in	Shaft Diameter	0.625 in
Shaft Extension	6.19 in		
Outline Drawing	OL56100070-001	Connection Drawing	DD10027-001

This is an uncontrolled document once printed or downloaded and is subject to change without notice. Date Created:06/11/2020

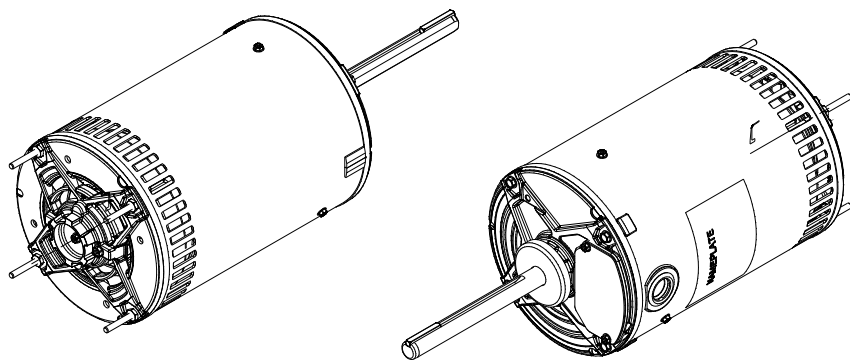


SECTION A-A



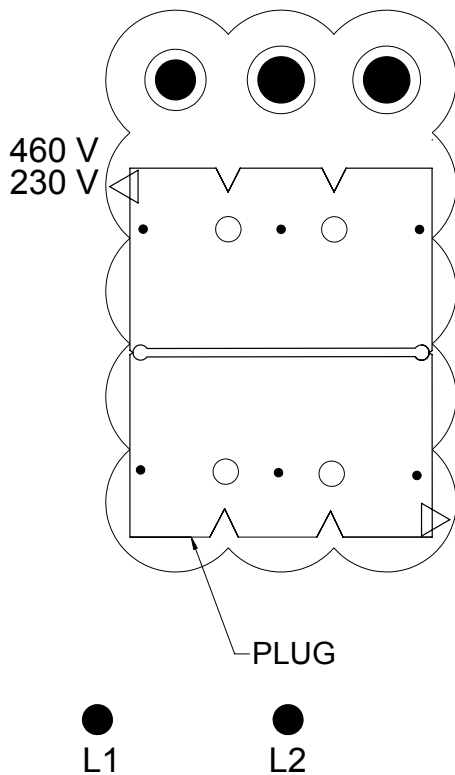
SECTION B-B

● = CRITICAL DIMENSION

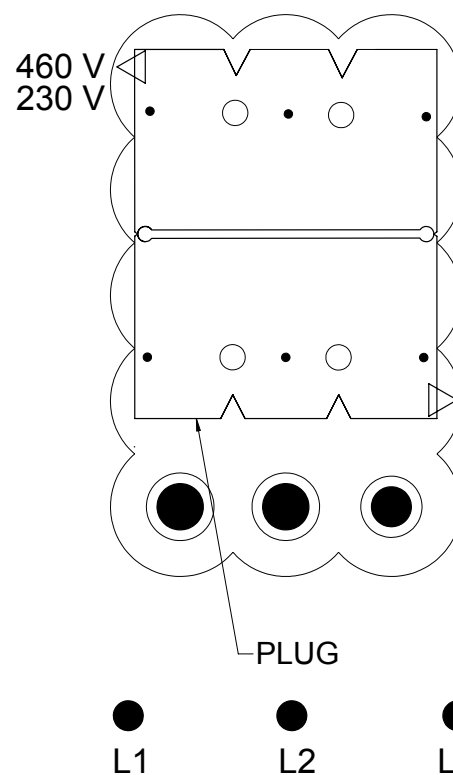


DRAWING REVISION A	REVISION BY D.VALENCIANO	DATE 04-30-2016	TOLERANCES UNLESS OTHERWISE SPECIFIED: DEC. INCH mm ANGLE .XX ±0.1 [±2.5] .XXX ±0.03 [±0.76] .XXX ±0.005 [±0.127] .XXXX ±0.0005 [±0.0127] REMOVE BURRS & BREAK SHARP EDGES: .003/.015 [0.076/.381] X 45° CORNER FILLETS: R.02 [51] MACHINED SURFACES: 1/25 √ 3.2 mm SHOWN IN [BRACKETS]	DRAWN BY D.VALENCIANO	DATE 04-30-2016	REGAL™ Regal Beloit America, Inc.
ECO-0101205	APPROVED BY J.ORTEGA	DATE 04-30-2016	APPROVED BY J.ORTEGA	DATE 04-30-2016	DESCRIPTION OUTLINE 56FR, OAO, 3-PHASE	
NEW MODEL RELEASE COPYRIGHT REGAL BELOIT AMERICA, INC. ALL RIGHTS RESERVED. PROPRIETARY AND CONFIDENTIAL INFORMATION. THIS DOCUMENT IS THE PROPERTY OF REGAL BELOIT AMERICA, INC. (OWNERS) AND CONTAINS OWNERS' PROPRIETARY INFORMATION. ANY PERSON, CORPORATION OR OTHER FIRM RECEIVING IT IS DEEMED, BY RECEIVING IT, TO AGREE THAT IT, AND/OR ANY PART OF IT, SHALL NOT BE DISCLOSED TO ANY PERSON, CORPORATION OR OTHER ENTITY, DUPLICATED, AND/OR USED, EXCEPT AS EXPRESSLY APPROVED IN WRITING IN ADVANCE BY OWNERS. THIS DOCUMENT SHALL BE RETURNED TO OWNER UPON REQUEST. IT MAY BE SUBJECT TO CERTAIN RESTRICTIONS UNDER APPLICABLE EXPORT CONTROL LAWS AND REGULATIONS.			REFERENCE H767	MATERIAL	PROCESS/FINISH	
			THIRD ANGLE PROJECTION	SIZE C	DRAWING NUMBER OL56100070-001	SHEET 1 OF 1

LOW VOLTAGE



HIGH VOLTAGE



- NOTES:
TO CHANGE VOLTAGE:
1. POWER MUST NOT BE CONNECTED.
 2. PULL SELECTOR PLUG OUT.
 3. SHIFT PLUG TO ALIGN ARROW TO 460V FOR HIGH VOLTAGE OR 230V FOR LOW VOLTAGE AS DESIRED.
 4. PUSH PLUG BACK IN

DD10027-001
 ROTATION CCW-LE TO REVERSE INTERCHANGE ANY TWO LINE LEADS.

PLATE: 41365

SLOT: 22

DRAWING REVISION A		REVISION BY G. RODRIGUEZ	DATE 04-06-2016	TOLERANCES UNLESS OTHERWISE SPECIFIED:		DRAWN BY G. RODRIGUEZ		REGAL™ Regal Beloit America, Inc.	
ECO		APPROVED BY E. MARTINEZ	DATE 04-06-2016	DEC.	INCH	mm	ANGLE	DATE 04-06-2016	DESCRIPTION CONN DIAGRAM-NAMEPLATE
ECO DESCRIPTION				.X	±0.1	[±2.5]	±0.5°	APPROVED BY E. MARTINEZ	
				.XX	±0.01	[±0.25]		DATE 04-06-2016	MATERIAL
				.XXX	±0.005	[±0.127]		REFERENCE	
				.XXXX	±0.0005	[±0.0127]		THIRD ANGLE PROJECTION	PROCESS/FINISH
<small>COPYRIGHT REGAL BELOIT AMERICA, INC. ALL RIGHTS RESERVED. PROPRIETARY AND CONFIDENTIAL INFORMATION - THIS DOCUMENT IS THE PROPERTY OF REGAL BELOIT AMERICA, INC. (OWNER) AND CONTAINS OWNER'S PROPRIETARY INFORMATION. ANY PERSON, CORPORATION OR OTHER FIRM RECEIVING IT IS DEEMED, BY RECEIVING IT, TO AGREE THAT IT, AND/OR ANY PART OF IT, SHALL NOT BE DISCLOSED TO ANY PERSON, CORPORATION OR OTHER ENTITY, DUPLICATED, AND/OR USED, EXCEPT AS EXPRESSLY APPROVED IN WRITING IN ADVANCE BY OWNER. THIS DOCUMENT SHALL BE RETURNED TO OWNER UPON REQUEST. IT MAY BE SUBJECT TO CERTAIN RESTRICTIONS UNDER APPLICABLE EXPORT CONTROL LAWS AND REGULATIONS.</small>				REMOVE BURRS & BREAK SHARP EDGES: .003/.015 [.076/.381] X 45° CORNER FILLETS: R.02 [.51] MACHINED SURFACES: .125/3.2 mm SHOWN IN [BRACKETS]		SIZE B		DRAWING NUMBER DD10027-001	SHEET 1 OF 1