

PRODUCT INFORMATION PACKET



Model No: H698V1

Catalog No: H698V1

2.0 HP Condenser Fans HVAC/R Motor, 3 phase, 1200 RPM, 208-230/460 V, 56Y Frame, TEAO
Condenser Fans Motors



Regal and Century are trademarks of Regal Beloit Corporation or one of its affiliated companies.
©2020 Regal Beloit Corporation, All Rights Reserved. MC017097E





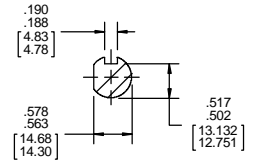
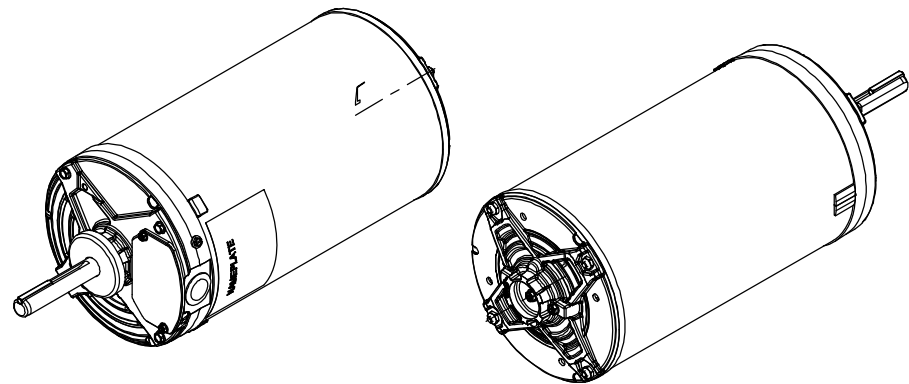
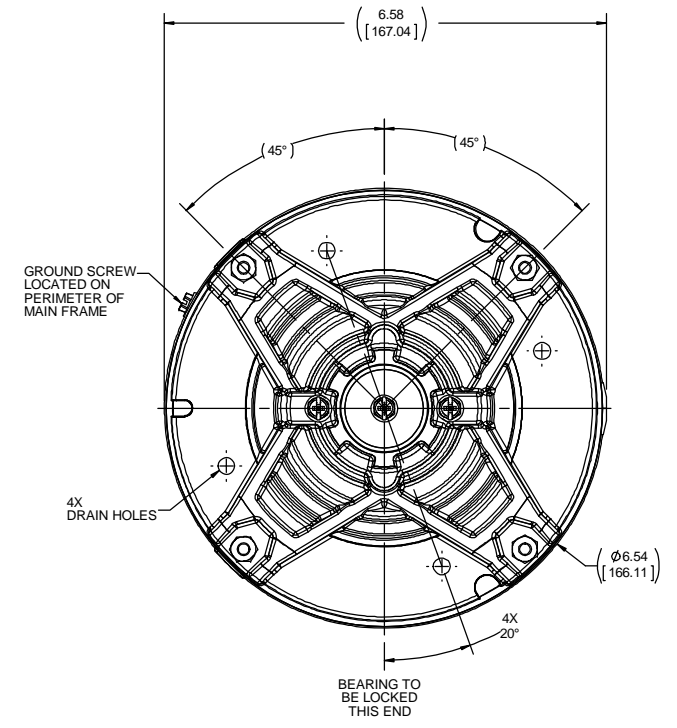
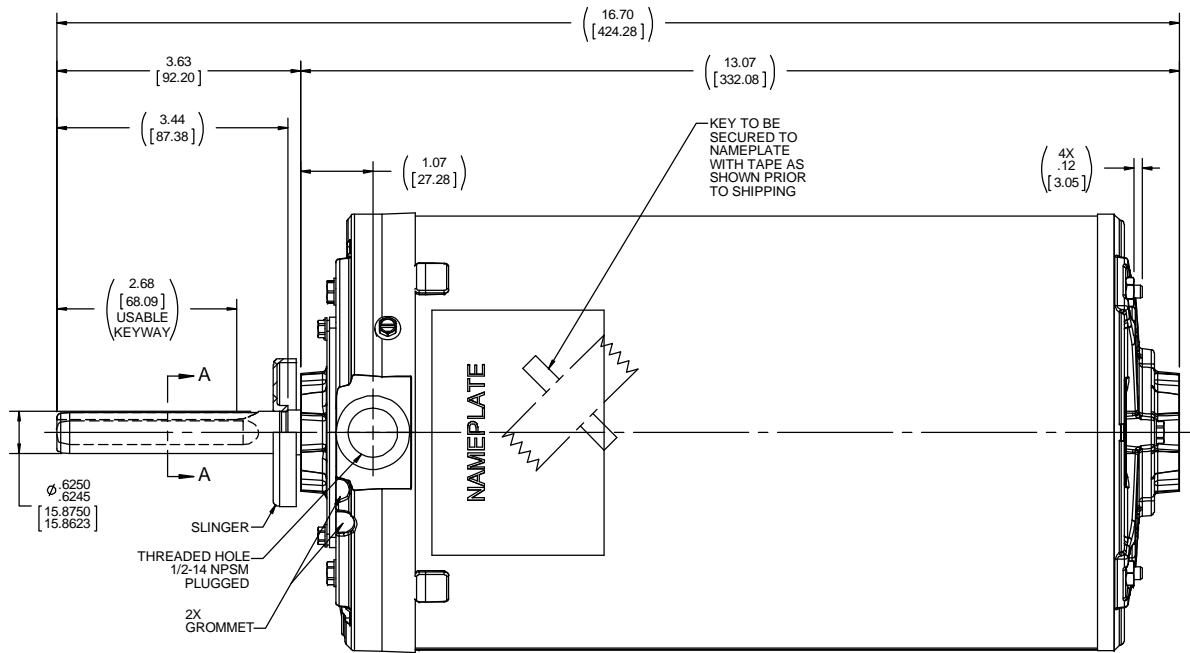
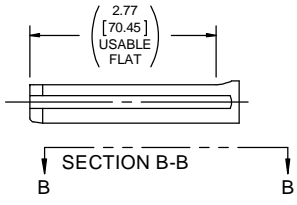
Nameplate Specifications

Output HP	2.0 Hp	Output KW	1.5 kW
Frequency	60 Hz	Voltage	208-230/460 V
Current	6.3-6.2/3.1 A	Speed	1140 rpm
Service Factor	1	Phase	3
Duty	Continuous	Insulation Class	B
Frame	56Y	Enclosure	Totally Enclosed Air Over
Thermal Protection	Thermally Protected	Ambient Temperature	70 °C
UL	Recognized	CSA	Y
CE	N		

Technical Specifications

Electrical Type	Three Phase	Starting Method	Across The Line
Poles	6	Rotation	Reversible
Mounting	Round	Drive End Bearing	Ball
Opp Drive End Bearing	Ball	Frame Material	Rolled Steel
Shaft Type	Keyed	Overall Length	16.70 in
Frame Length	10.25 in	Shaft Diameter	0.625 in
Shaft Extension	3.44 in		
Outline Drawing	OL56100256-001	Connection Drawing	DD10027-001

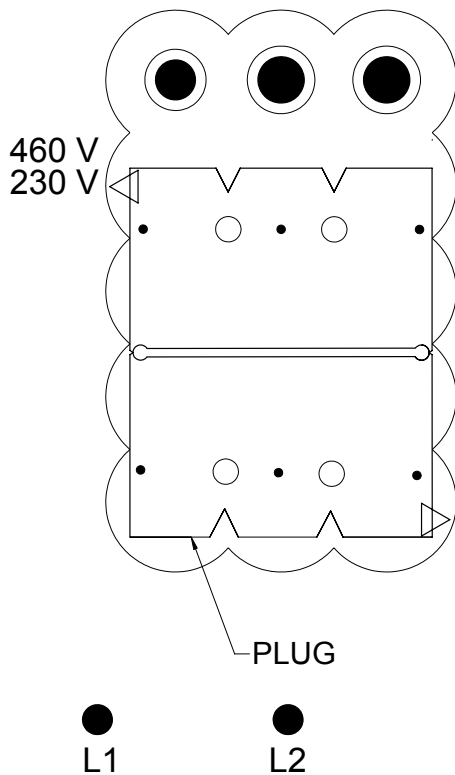
This is an uncontrolled document once printed or downloaded and is subject to change without notice. Date Created:14/10/2020



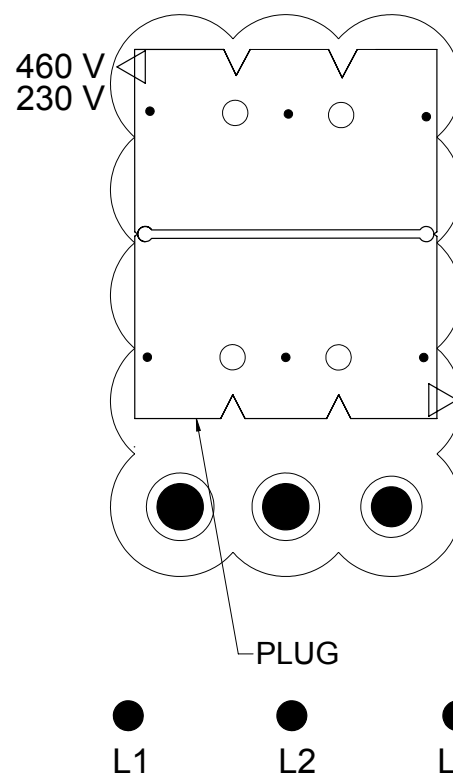
SECTION A-A

DRAWING REVISION A		REVISION BY	DATE	TOLERANCES UNLESS OTHERWISE SPECIFIED:		DRAWN BY E. VILLA	Regal Beloit America, Inc.
ECO-0125475		APPROVED BY	DATE	DEC.	INCH mm	DATE 06-19-2017	
ECO DESCRIPTION NMR RELEASE				.X	±0.1 [2.5]	APPROVED BY	DESCRIPTION OUTLINE
<small>COPYRIGHT REGAL BELOIT AMERICA, INC. ALL RIGHTS RESERVED. PROPRIETARY AND CONFIDENTIAL INFORMATION. THIS DOCUMENT IS THE PROPERTY OF REGAL BELOIT AMERICA, INC. FORMERLY AND CONTAINS OWNERS PROPRIETARY INFORMATION. ANY PERSON, CORPORATION OR OTHER FIRM RECEIVING IT IS DEEMED TO HAVE AGREED TO THESE TERMS AND CONDITIONS. THIS DOCUMENT SHALL NOT BE REPRODUCED, COPIED, DISTRIBUTED, OR OTHERWISE DISCLOSED TO ANY PERSON, CORPORATION OR OTHER ENTITY, WITHOUT THE WRITTEN APPROVAL OF REGAL BELOIT AMERICA, INC. ANY REPRODUCTION OR USE OF THIS DOCUMENT WITHOUT THE WRITTEN APPROVAL OF REGAL BELOIT AMERICA, INC. IS STRICTLY PROHIBITED. THIS DOCUMENT SHALL BE RETURNED TO OWNER UPON REQUEST. IT MAY BE SUBJECT TO CERTAIN RESTRICTIONS UNDER APPLICABLE EXPORT CONTROL LAWS AND REGULATIONS.</small>				.XX	±0.03 [0.76]	DATE	MATERIAL
				.XXX	±0.005 [0.127]	REFERENCE	PROCESS/FINISH
				.XXXX	±0.0005 [±0.0127]	THIRD ANGLE PROJECTION	SIZE C
				REMOVE BURRS & BREAK SHARP EDGES: .003/.015 [0.076/.381] X 45° CORNER FILLETS: R.02 [.51]		DRAWING NUMBER OL56100256-001	SHEET 1 OF 1
				MACHINED SURFACES: .125/3.2 INCH/mil			
				mm SHOWN IN [BRACKETS]			

LOW VOLTAGE



HIGH VOLTAGE



- NOTES:
TO CHANGE VOLTAGE:
1. POWER MUST NOT BE CONNECTED.
 2. PULL SELECTOR PLUG OUT.
 3. SHIFT PLUG TO ALIGN ARROW TO 460V FOR HIGH VOLTAGE OR 230V FOR LOW VOLTAGE AS DESIRED.
 4. PUSH PLUG BACK IN

DD10027-001
 ROTATION CCW-LE TO REVERSE INTERCHANGE ANY TWO LINE LEADS.

PLATE: 41365

SLOT: 22

DRAWING REVISION A		REVISION BY G. RODRIGUEZ	DATE 04-06-2016	TOLERANCES UNLESS OTHERWISE SPECIFIED: DEC. INCH mm ANGLE .X ±0.1 [±2.5] ±0.5° .XX ±0.01 [±0.25] .XXX ±0.005 [±0.127] .XXXX ±0.0005 [±0.0127]		DRAWN BY G. RODRIGUEZ	REGAL™ Regal Beloit America, Inc.	
ECO		APPROVED BY E. MARTINEZ	DATE PLUG 04-06-2016	REMOVE BURRS & BREAK SHARP EDGES: .003/.015 [.076/.381] X 45° CORNER FILLETS: R.02 [.51] MACHINED SURFACES: .125/3.2 INCH/mm		DATE 04-06-2016	DESCRIPTION CONN DIAGRAM-NAMEPLATE	
ECO DESCRIPTION				THIRD ANGLE PROJECTION		REFERENCE	MATERIAL	PROCESS/FINISH
<small>COPYRIGHT REGAL BELOIT AMERICA, INC. ALL RIGHTS RESERVED. PROPRIETARY AND CONFIDENTIAL INFORMATION - THIS DOCUMENT IS THE PROPERTY OF REGAL BELOIT AMERICA, INC. (OWNER) AND CONTAINS OWNER'S PROPRIETARY INFORMATION. ANY PERSON, CORPORATION OR OTHER FIRM RECEIVING IT IS DEEMED, BY RECEIVING IT, TO AGREE THAT IT, AND/OR ANY PART OF IT, SHALL NOT BE DISCLOSED TO ANY PERSON, CORPORATION OR OTHER ENTITY, DUPLICATED, AND/OR USED, EXCEPT AS EXPRESSLY APPROVED IN WRITING IN ADVANCE BY OWNER. THIS DOCUMENT SHALL BE RETURNED TO OWNER UPON REQUEST. IT MAY BE SUBJECT TO CERTAIN RESTRICTIONS UNDER APPLICABLE EXPORT CONTROL LAWS AND REGULATIONS.</small>				SIZE B		DRAWING NUMBER DD10027-001		SHEET 1 OF 1