

PRODUCT INFORMATION PACKET



Model No: H1052RBV1

Catalog No: H1052RBV1

2.0 HP Condenser Fans HVAC/R Motor, 3 phase, 1200 RPM, 208-230/460 V, 56HZ Frame, OPAO
Condenser Fans Motors



Regal and Century are trademarks of Regal Beloit Corporation or one of its affiliated companies.
©2019 Regal Beloit Corporation, All Rights Reserved. MC017097E

REGAL



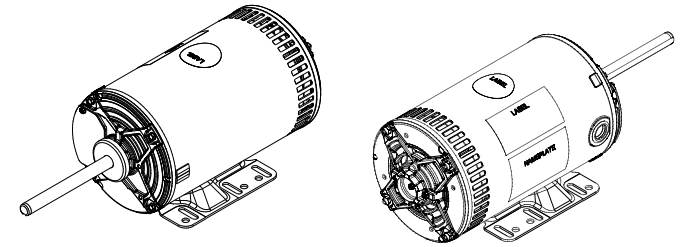
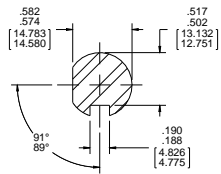
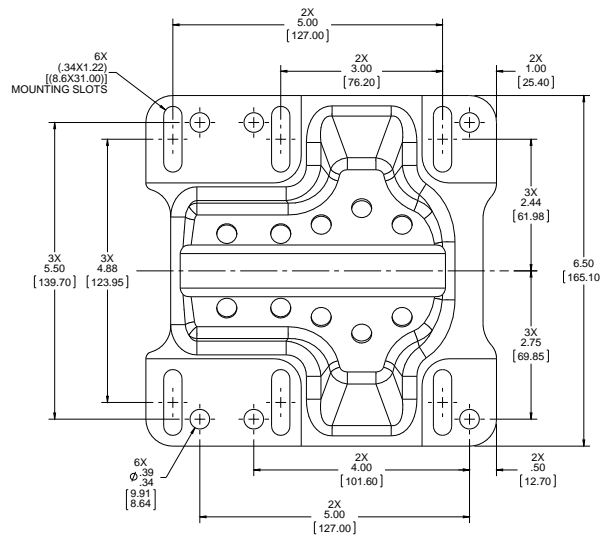
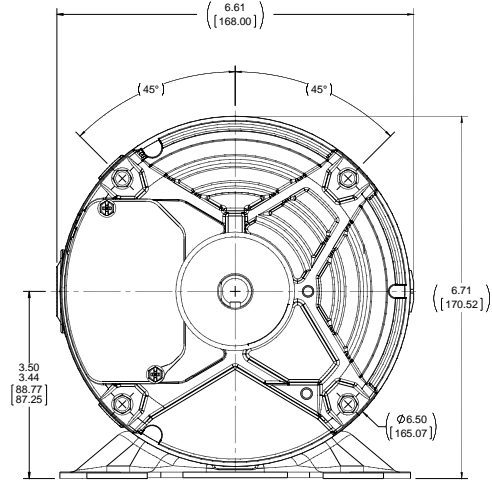
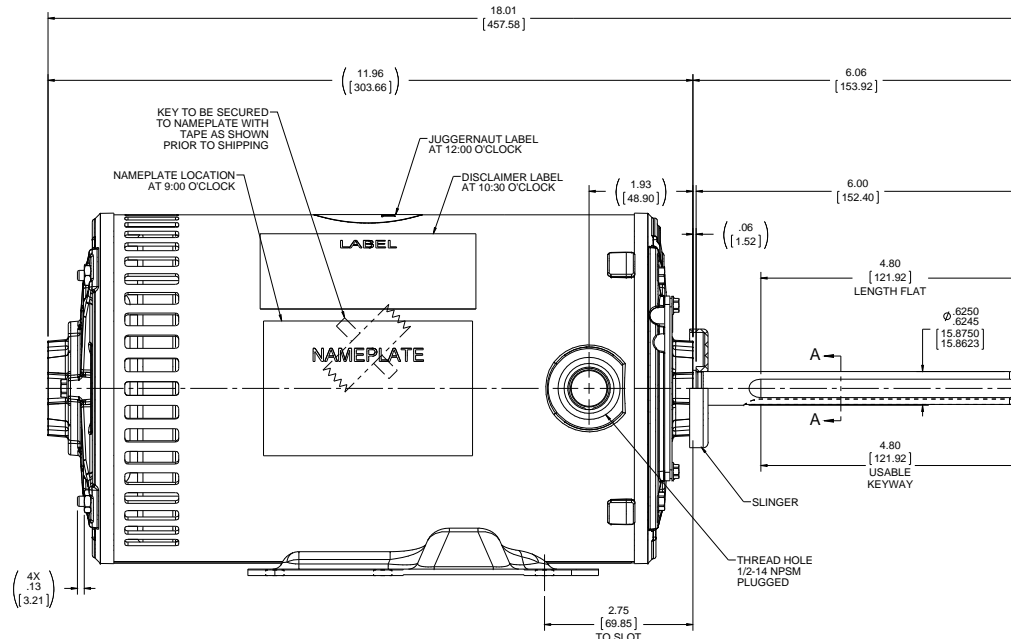
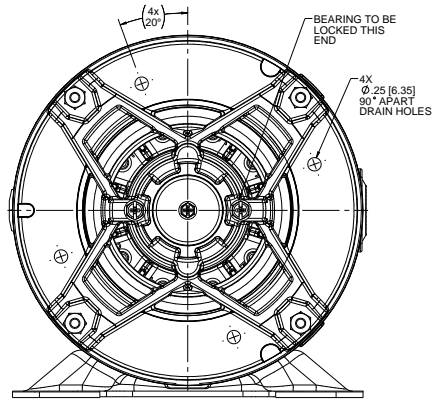
Nameplate Specifications

| | | | |
|--------------------|----------------------------|---------------------|----------------------|
| Output HP | 2.0 Hp | Output KW | 1.5 kW |
| Frequency | 60 Hz | Voltage | 208-230/460 V |
| Current | 7.0-7.0/3.5 A | Speed | 1140 rpm |
| Service Factor | 1 | Phase | 3 |
| Duty | Continuous | Insulation Class | F |
| Frame | 56HZ | Enclosure | Open Air Over |
| Thermal Protection | Thermally Protected | Ambient Temperature | 70 °C |
| UL | Recognized | CSA | Y |
| CE | N | | |

Technical Specifications

| | | | |
|-----------------------|--------------------|-------------------|------------------------|
| Electrical Type | Three Phase | Starting Method | Across The Line |
| Poles | 6 | Rotation | Reversible |
| Mounting | Rigid base | Drive End Bearing | Ball |
| Opp Drive End Bearing | Ball | Frame Material | Rolled Steel |
| Shaft Type | Keyed | Overall Length | 18.01 in |
| Frame Length | 9.65 in | Shaft Diameter | 0.625 in |
| Shaft Extension | 6 in | | |

This is an uncontrolled document once printed or downloaded and is subject to change without notice. Date Created:30/10/2019



NOTE:
1. GASKET USED UNDER COVER OF TERMINAL OPENING.

| | | | | | | |
|---|-----------------------------|-------------------------|---|----------------------------------|---|--|
| DRAWING REVISION ECO-0103927 A | REVISION BY D VALENCIANO | DATE 06-16-2016 | TOLERANCES UNLESS OTHERWISE SPECIFIED: X.XX .001 [25.4] X.XX .010 [254.0] X.XXX .01000 [25.4] X.XXX .015 [381.0] EDGES: .003 (0.15) [76.2] X 45° CORNER RILETS: .015 [381.0] MACHINED SURFACES: .004 [101.6] RICH V FIN SHOWN IN BRACKETS | DRAWN BY D VALENCIANO | DATE 06-16-2016 | DESCRIPTION OUTLINE 56FR, GND, 3-PHASE |
| APPROVED BY J CRTEGA | DATE 06-16-2016 | APPROVED BY J CRTEGA | DATE 06-16-2016 | REFERENCE H100229 | MATERIAL MACHINING PROCESS/FINISH | PROCESS/FINISH |
| NEW MODEL RELEASE This drawing is the property of Regal Beloit America, Inc. It is to be used only for the purpose of manufacturing and assembly of the equipment specified herein. It is not to be used for any other purpose without the express written consent of Regal Beloit America, Inc. All dimensions are in inches and fractions of an inch unless otherwise indicated. All dimensions are to be held unless otherwise indicated. All dimensions are to be held unless otherwise indicated. All dimensions are to be held unless otherwise indicated. | | | | DRAWING NUMBER OL56100124-001 | | SHEET 1 OF 1 |