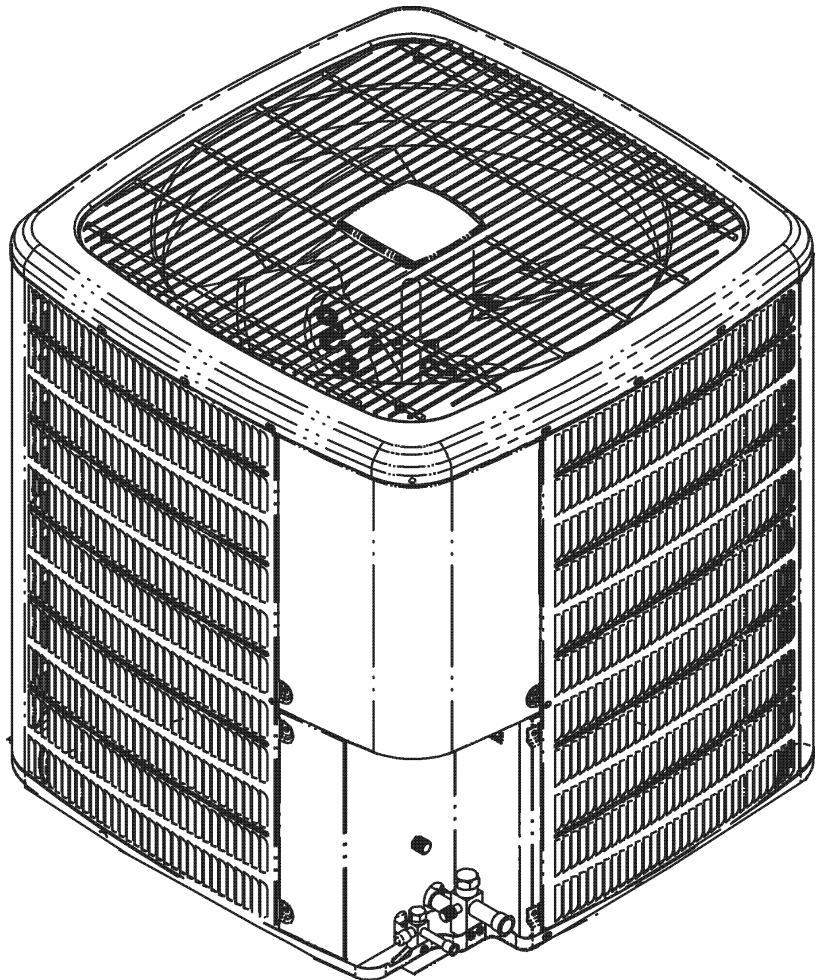


GSXC18 SEER 2-Stage Remote Condensing Unit

GSXC180241BA

GSXC180361BA

GSXC180481BA



This manual is to be used by qualified technicians only.

Important Information

Index

Functional Parts List	3
Illustration and Parts	4 - 9

Views shown are for parts illustrations only, not servicing procedures

Text Codes:

AR - As Required

NA - Not Available

NS - Not Shown

00000000 - See Note

QTY - Quantity Example (QTY 3) (If Quantity not shown, Quantity = 1)

M - Model Example (M1) (If M Code not shown, then part is used on all Models)

Expanded Model Nomenclature:

Example M1 - Model#1 M2 - Model#2 M3 - Model#3

Goodman Manufacturing Company, L.P. is not responsible for personal injury or property damage resulting from improper service. Review all service information before beginning repairs.

Warranty service must be performed by an authorized technician, using authorized factory parts. If service is required after the warranty expires, Goodman Manufacturing Company, L.P. also recommends contacting an authorized technician and using authorized factory parts.

Goodman Manufacturing Company, L.P. reserves the right to discontinue, or change at any time, specifications or designs without notice or without incurring obligations.

For assistance within the U.S.A. contact:
Homeowner Support
Goodman Manufacturing Company, L.P.
19001 Kermier Road
Waller, Texas 77484
877-254-4729-Telephone
713-863-2382-Facsimile

For assistance outside the U.S.A. contact:
International Division
Goodman Manufacturing Company, L.P.
19001 Kermier Road
Waller, Texas 77484
713-861-2500-Telephone
713-863-2382-Facsimile

Functional Parts

Part

No: **Description:**

0151R00079	BASE VALVE 3/4" (M1, M2)
0151R00078	BASE VALVE 3/8"
0151R00080	BASE VALVE 7/8" (M3)
CAP050350440CS	CAPACITOR 5/35/440V (M1, M3)
CAP050400440CT	CAPACITOR 5/40/440V/DUAL RD (M2)
ZPS19K6EPFV130	COMP, 19000,208/230/60/1 (M1)
ZPS29K6EPFV130	COMP, 29000,208/230/60/1 (M2)
ZPS40K6EPFV130	COMP, 40000,208/230/60/1 (M3)
0130R00003	CUT-OUT SWITCH, HIGH PRESSURE
0163R00006	HEATER, CRANKCASE 230V, 40W (M1, M2)
0163R00007	HEATER, CRANKCASE 230V, 40W (M3)
0130M00086	LOW PRESSURE SWITCH
0131M00827	MOTOR, ECM (M1, M2)
0131M00804	MOTOR, ECM (M3)
0130M00054	OUTDOOR AIR TEMP SENSOR
PCBGR103	PCB, CONTROL, 2 STG, AC
0130R00073	SHARED DATA (M3)
0130R00070	SHARED DATA (M2)
0130R00067	SHARED DATA (M1)

SPECIAL PARTS

0161R00009P NAMEPLATE

Expanded Model Nomenclature

M1 - GSXC180241BA
M2 - GSXC180361BA
M3 - GSXC180481BA

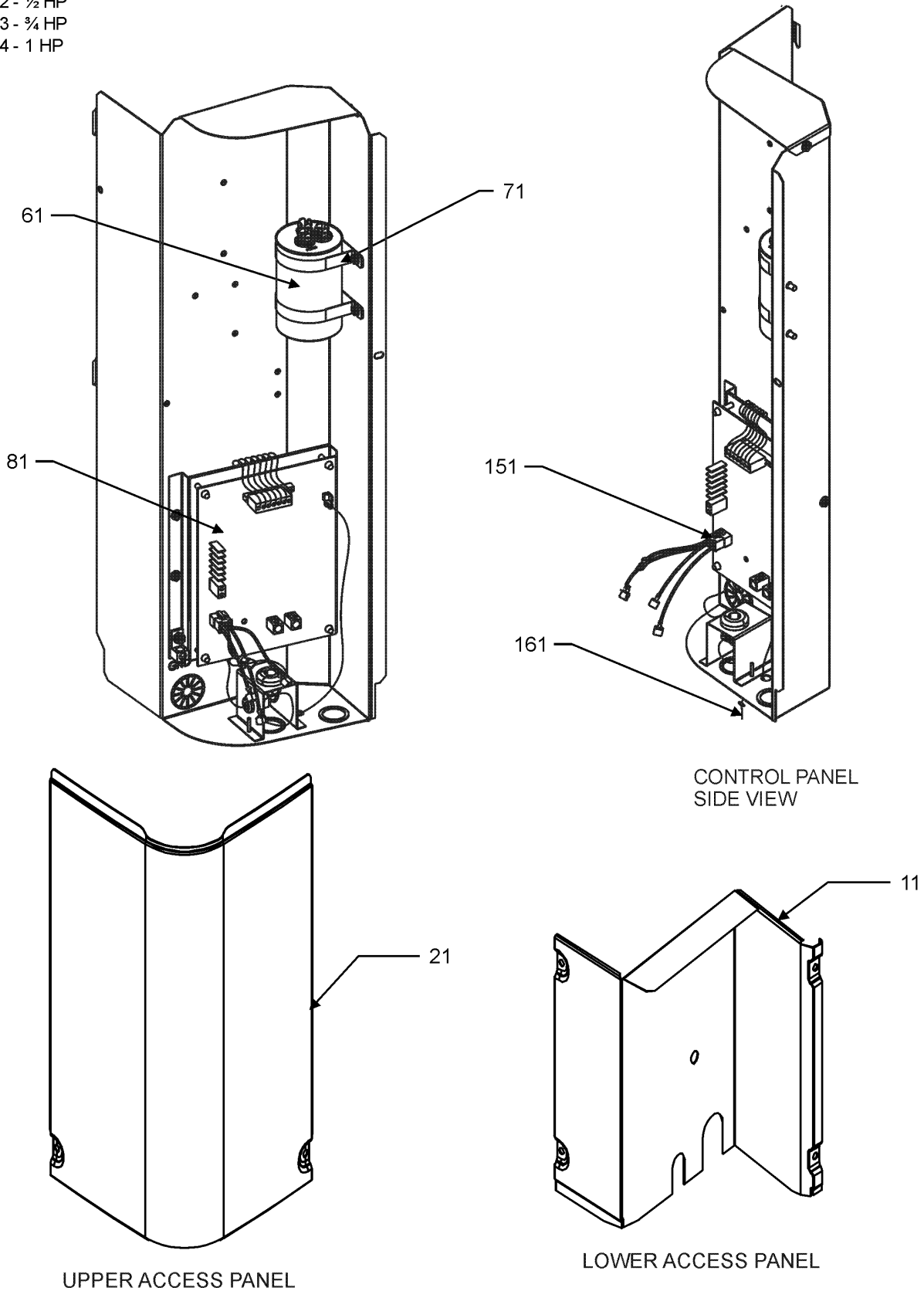
Control Box Assembly

*If end bells are needed please order the following:

0131M00182 - 1/2 HP

0131M00183 - 3/4 HP

0131M00184 - 1 HP



Control Box Assembly

Ref. Part No: No:	Description:	Ref. Part No: No:	Description:
-------------------	--------------	-------------------	--------------

Image 1:

11	0121R00324PDG	LOWER ACCESS PANEL (M1, M2)
11	0121R00662PDG	LOWER ACCESS PANEL (M3)
21	0121R00054PDG	CONTROL COVER
61	CAP050350440CS	CAPACITOR 5/35/440V (M1, M3)
61	CAP050400440CT	CAPACITOR 5/40/440V/DUAL RD (M2)
71	0121R00213	CAPACITOR STRAP (QTY 2)
81	PCBGR103	PCB, CONTROL, 2 STG, AC
151	0159R00011	WIRE ASSEMBLY, ECM MOTOR
161	0130M00054	OUTDOOR AIR TEMP SENSOR
NS	0161R00009P	NAMEPLATE
NS	0130R00067	SHARED DATA (M1)
NS	0130R00070	SHARED DATA (M2)
NS	0130R00073	SHARED DATA (M3)

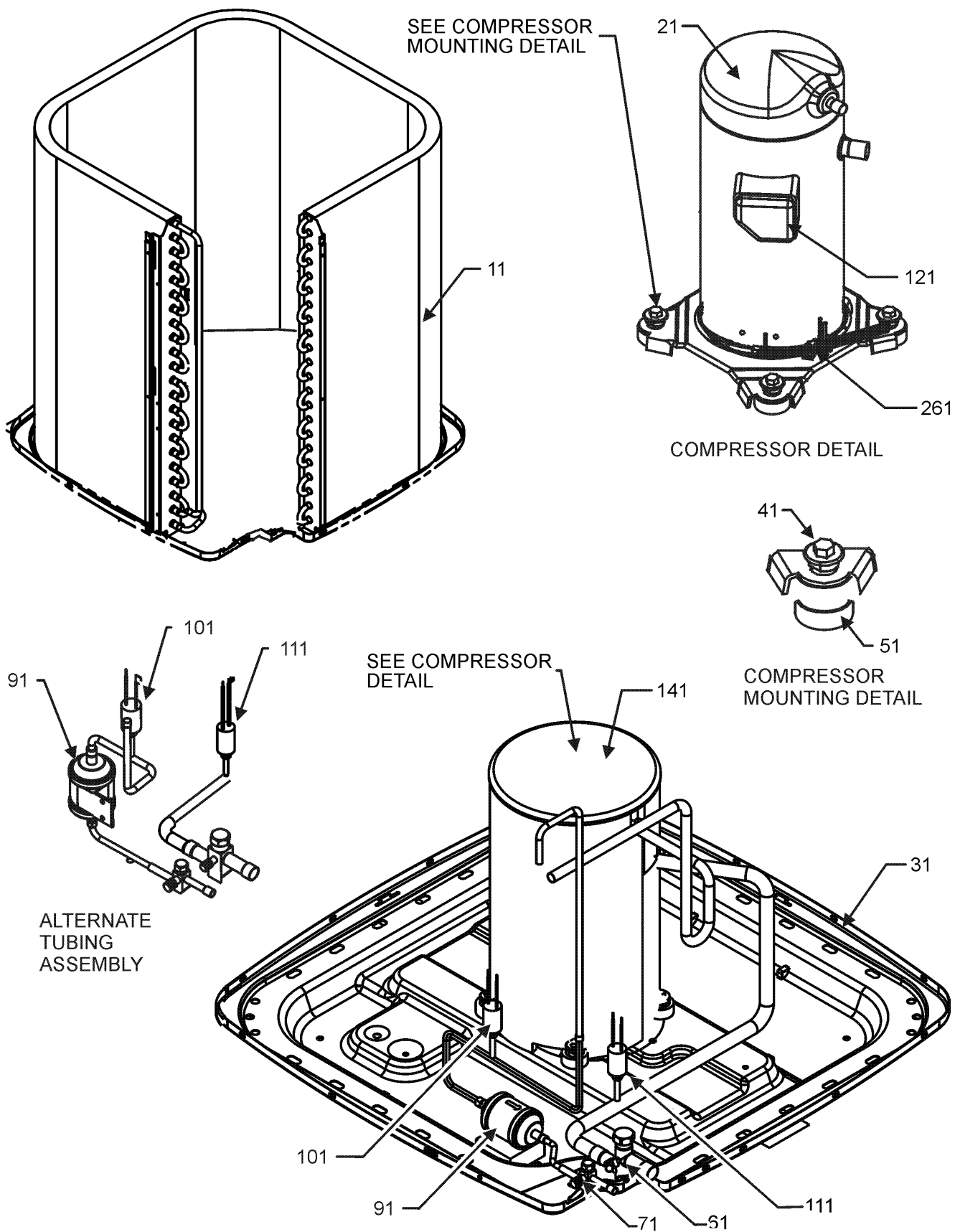
Expanded Model Nomenclature

M1 - GSXC180241BA
M2 - GSXC180361BA
M3 - GSXC180481BA

*If end bells are needed please order the following:

0131M00182 - 1/2 HP
0131M00183 - 3/4 HP
0131M00184 - 1 HP

Compressor and Tubing Assembly



Compressor and Tubing Assembly

Ref. Part No: No:	Description:	Ref. Part No: No:	Description:
-------------------	--------------	-------------------	--------------

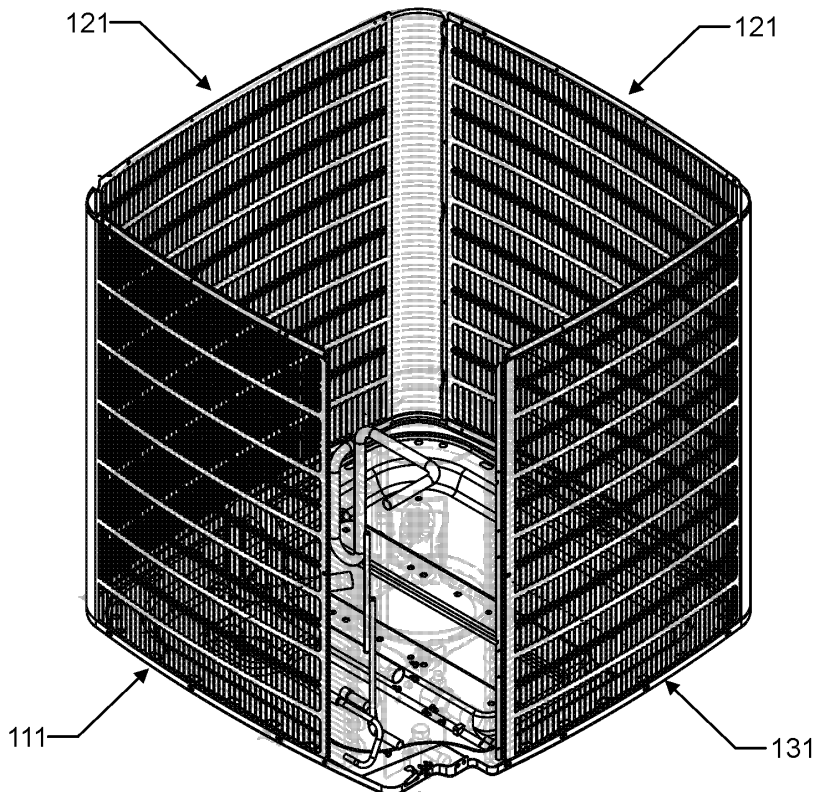
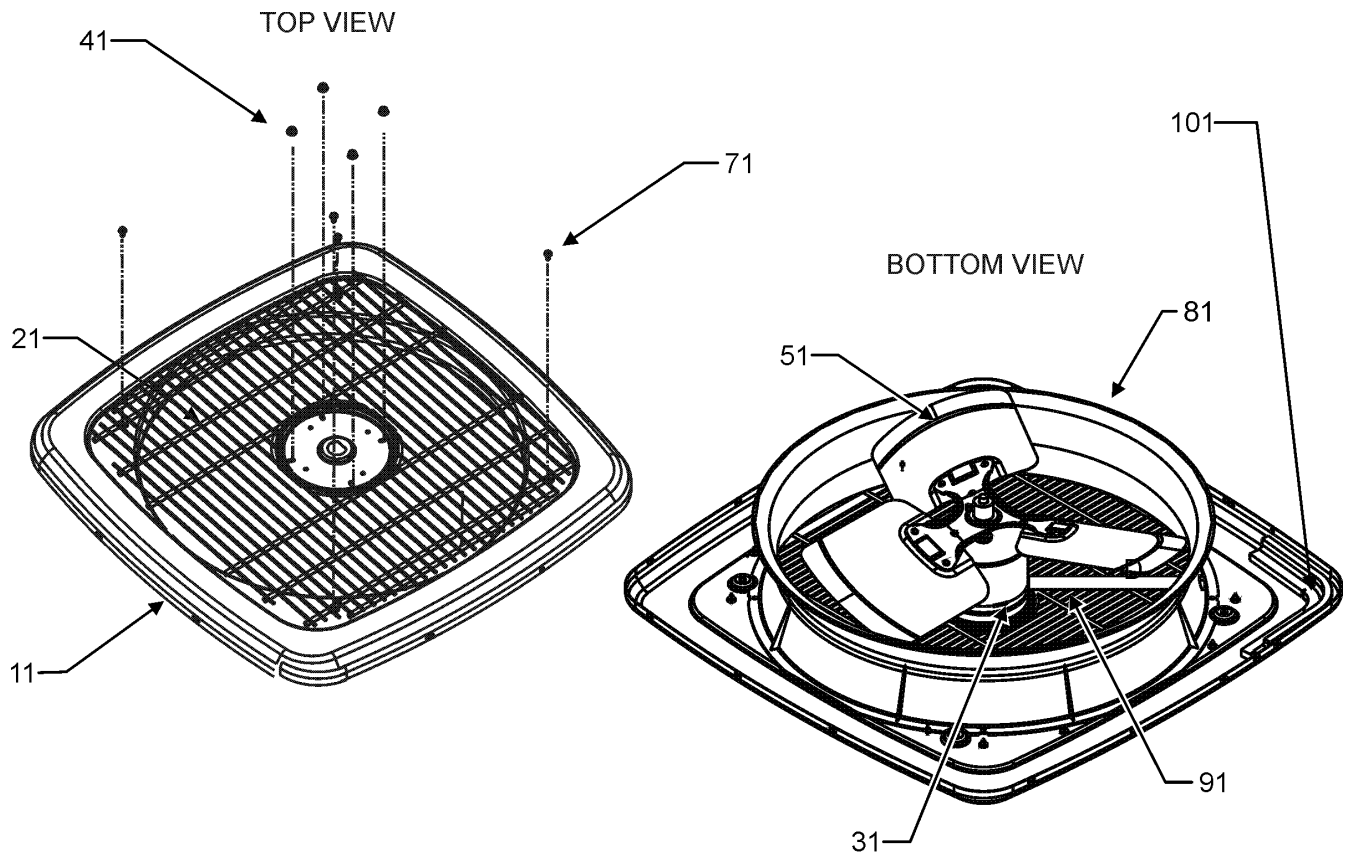
Image 1:

11	0201R00433	COIL TUBING ASSY (M1, M2)
11	0201R00692	COIL TUBING ASSY (M3)
21	ZPS19K6EPFV130	COMP, 19000,208/230/60/1 (M1)
21	ZPS29K6EPFV130	COMP, 29000,208/230/60/1 (M2)
21	ZPS40K6EPFV130	COMP, 40000,208/230/60/1 (M3)
31	0121R00007PDG	BASE PAN 35"
41	M0221641	TF SHOULDER SCREW (QTY 4)
51	0164M00018	COMPRESSOR GROMMET (QTY 4)
61	0151R00079	BASE VALVE 3/4" (M1, M2)
61	0151R00080	BASE VALVE 7/8" (M3)
71	0151R00078	BASE VALVE 3/8"
91	0162R00009	FILTER DRIER
101	0130R00003	CUT-OUT SWITCH, HIGH PRESSURE
111	0130M00086	LOW PRESSURE SWITCH
121	0159R00009	COMPRESSOR SCROLL HARNESS
141	B1488806	COMPRESSOR SOUND BLANKET (M3)
141	B1488810	COMPRESSOR SOUND BLANKET (M1, M2)
261	0163R00006	HEATER, CRANKCASE 230V, 40W (M1, M2)
261	0163R00007	HEATER, CRANKCASE 230V, 40W (M3)
NS	0130M00005P	WIRE HARNESS, COMPRESSOR SOLENOID

Expanded Model Nomenclature

M1 - GSXC180241BA
M2 - GSXC180361BA
M3 - GSXC180481BA

Top and Louver Side Panel Assembly



LOUVER PANEL ASSEMBLY

Top and Louver Side Panel Assembly

Ref. Part No:	No:	Description:	Ref. Part No:	No:	Description:
---------------	-----	--------------	---------------	-----	--------------

Image 1:

11	0121R00577PDG	TOP PANEL, GRILL/VENTURI MNT
21	0152R00019	GRILL, WIRE 35" TOP
31	0131M00804	MOTOR, ECM (M3)
31	0131M00827	MOTOR, ECM (M1, M2)
41	M0280801	HEX NUT (QTY 4)
51	10625738	FAN BLADE 26" ALUM CCW
71	0163M00003P	SCREW #10 X 1/2, A, SLOT, SR, BLACK (QTY 6)
81	0161R00049	VENTURI 26" MOLDED RING
91	0163M00221	CONDUIT, FLEXIBLE
101	0154R00006	GASKET, CONTROL PANEL
111	0121R00229PDGB	PANEL 1, BENT LOUVER 35 (M1, M2)
111	0121R00593PDGB	PANEL 1, BENT LOUVER 35_39.84 (M3)
121	0121R00232PDGB	PANEL 2, BENT LOUVER 35 (M1, M2)
121	0121R00595PDGB	PANEL 2, BENT LOUVER 35_39.84 (M3)
131	0121R00235PDG	PANEL 3, LOUVER 35, 37.8 (M1, M2)
131	0121R00597PDG	PANEL 3, LOUVER 35_39.84 PNT (M3)

Expanded Model Nomenclature

M1 - GSXC180241BA
M2 - GSXC180361BA
M3 - GSXC180481BA