

PRODUCT INFORMATION PACKET



Model No: GF2034D

Catalog No: GF2034D

1/3 HP Fan and Blower HVAC/R Motor, 1 phase, 1800 RPM, 115/230 V, 48 Frame, OPEN
Self Cooled Motors



Regal and Century are trademarks of Regal Beloit Corporation or one of its affiliated companies.

©2019 Regal Beloit Corporation, All Rights Reserved. MC017097E

REGAL



Nameplate Specifications

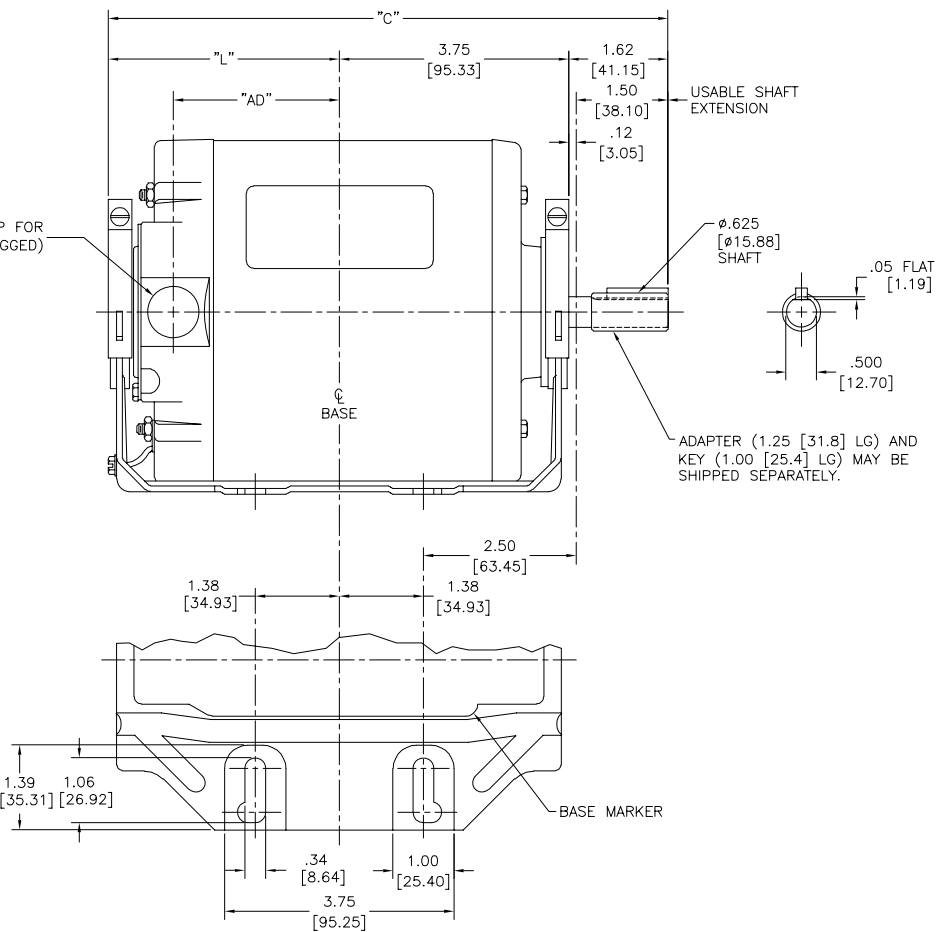
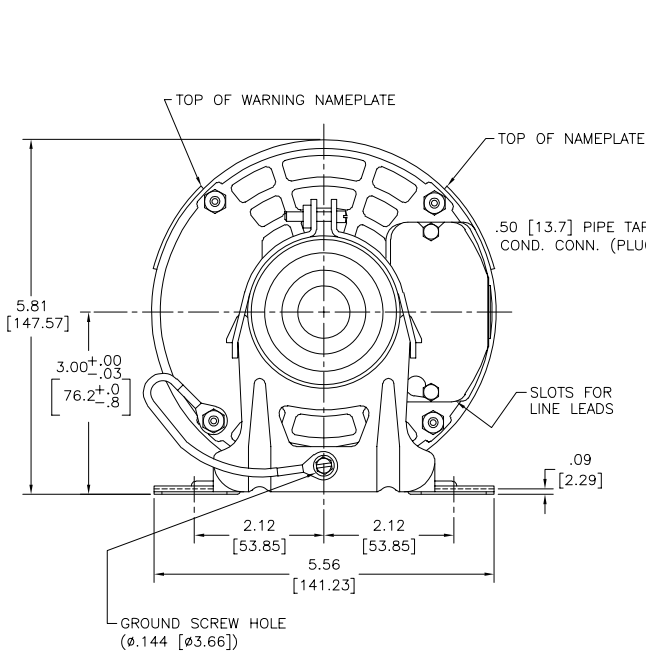
Output HP	1/3 Hp	Output KW	0.25 kW
Frequency	60 Hz	Voltage	115/230 V
Current	6.0/3.0 A	Speed	1725 rpm
Service Factor	1.35	Phase	1
Duty	Continuous	Insulation Class	B
Frame	48	Enclosure	Open Enclosed
Thermal Protection	Automatic	Ambient Temperature	40 °C
UL	No	CSA	Y
CE	N		

Technical Specifications

Electrical Type	Split Phase	Starting Method	Across The Line
Poles	4	Rotation	Reversible
Mounting	Resilient Base	Drive End Bearing	Sleeve
Opp Drive End Bearing	Sleeve	Frame Material	Rolled Steel
Shaft Type	Keyed	Overall Length	8.90 in
Frame Length	4.94 in	Shaft Diameter	0.625 in
Shaft Extension	1.62 in		

This is an uncontrolled document once printed or downloaded and is subject to change without notice. Date Created:30/10/2019

REV	ECO	REV BY	DATE	APPD	DATE
M	0026351	R.LIAN	05-25-2012	B.SHEN	05-25-2012



4708EM	S48F05A01	D48	9.90	[251.5]	4.53	[115.4]	3.47	[88.1]
4706EM	S48F04A01	B48	9.40	[238.8]	4.03	[102.4]	2.97	[75.4]
4701EM	S48F03A01	A48	9.15	[232.4]	3.78	[96.0]	2.72	[69.1]
-----	-----	48	8.90	[226.1]	3.53	[89.7]	2.47	[62.7]
-----	-----	D48	9.90	[251.5]	4.53	[115.4]	3.47	[88.1]
-----	-----	B48	9.40	[238.8]	4.03	[102.4]	2.97	[75.4]
-----	-----	A48	9.15	[232.4]	3.78	[96.0]	2.72	[69.1]
CUSTOMER MODEL	MODEL NUMBER	FRAME	ENGLISH	METRIC	ENGLISH	METRIC	ENGLISH	METRIC
			"C"		"L"		"AD"	

GEOMETRIC CHARACTERISTICS & SYMBOLS
 □ FLATNESS
 - STRAIGHTNESS
 < ANGLARITY
 ⊥ PERPENDICULARITY (SQUARENESS)
 // PARALLELISM
 ○ ROUNDNESS (CIRCULARITY)
 ⌀ CYLINDRICITY
 ~ PROFILE OF ANY SURFACE
 ~ PROFILE OF ANY LINE
 † RUNOUT
 * TRUE POSITION
 ⊙ CONCENTRICITY
 = SYMMETRY
 ASME Y14.5M 1994

UNLESS OTHERWISE SPECIFIED
 DIM. TOLERANCES ARE AS FOLLOWS:
 INCH X XX XXX XXXX
 mm ±.1 ±.02 ±.005 ±.0005
 mm ±0.5 ±0.13 ±0.013
 ANG. ±.50 DEG
 REMOVE BURRS & BREAK SHARP EDGES:
 INCH .003-.015 mm 0.1-.04
 CORNER FILLETS TO:
 INCH .020 mm 0.5
 MACHINE SURFACES:
 INCH 125 mm 3.2
 METRIC DIMS. SHOWN IN [BRACKETS]

DR BY: DHH 06-24-1974
 APPD: BH 06-27-1974
 THRD ANGLE PROJECTION
 EDS DATE 11-11-2011
 FORMAT REV H
 CONFIDENTIAL: THIS DRAWING AND ITS INFORMATION ARE THE EXCLUSIVE AND CONFIDENTIAL PROPERTY OF REGAL-BELOIT CORPORATION AND ARE NOT TO BE DISCLOSED, DUPLICATED, DISTRIBUTED OR OTHERWISE USED WITHOUT THE WRITTEN CONSENT OF REGAL-BELOIT CORPORATION. -ALL RIGHTS RESERVED.

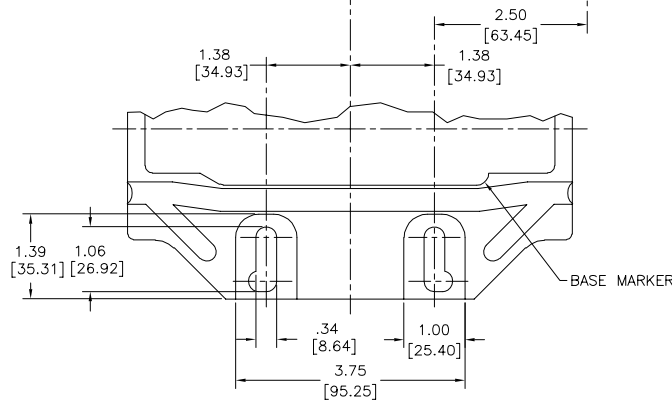
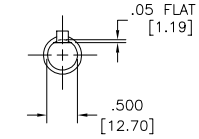
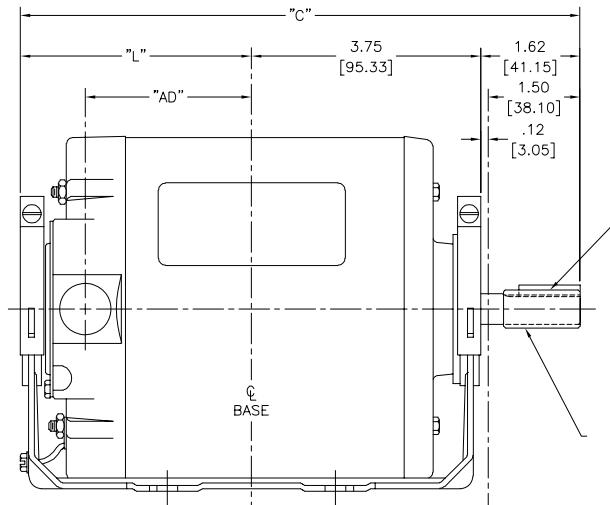
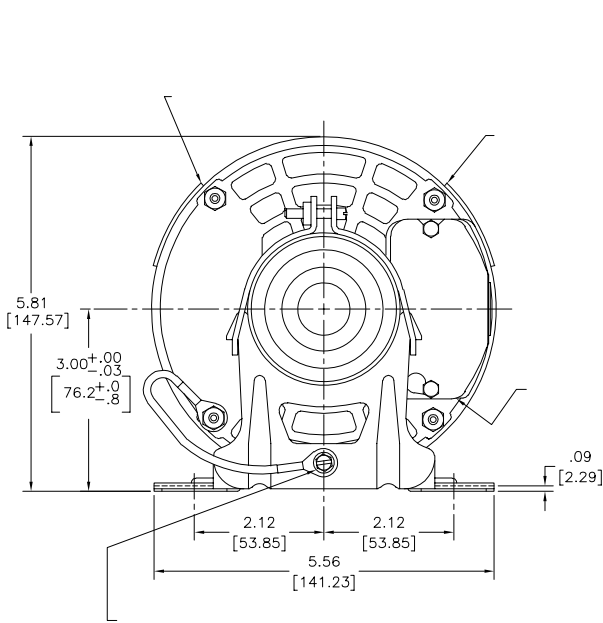
REGAL REGAL-BELOIT CORPORATION

DESCRIPTION: OUTLINE

SIZE: C DWG NO: 1011B50

SCALE: NONE SHEET: 1

REVISIÓN:	ECO	REVISADO POR:	FECHA:	APROBADO POR:	FECHA:
M	0026351	R.LIAN	05-25-2012	B.SHEN	05-25-2012



4708EM	S48F05A01	D48	9.90	[251.5]	4.53	[115.4]	3.47	[88.1]
4706EM	S48F04A01	B48	9.40	[238.8]	4.03	[102.4]	2.97	[75.4]
4701EM	S48F03A01	A48	9.15	[232.4]	3.78	[96.0]	2.72	[69.1]
-----	-----	48	8.90	[226.1]	3.53	[89.7]	2.47	[62.7]
-----	-----	D48	9.90	[251.5]	4.53	[115.4]	3.47	[88.1]
-----	-----	B48	9.40	[238.8]	4.03	[102.4]	2.97	[75.4]
-----	-----	A48	9.15	[232.4]	3.78	[96.0]	2.72	[69.1]
				"C"		"L"		"AD"

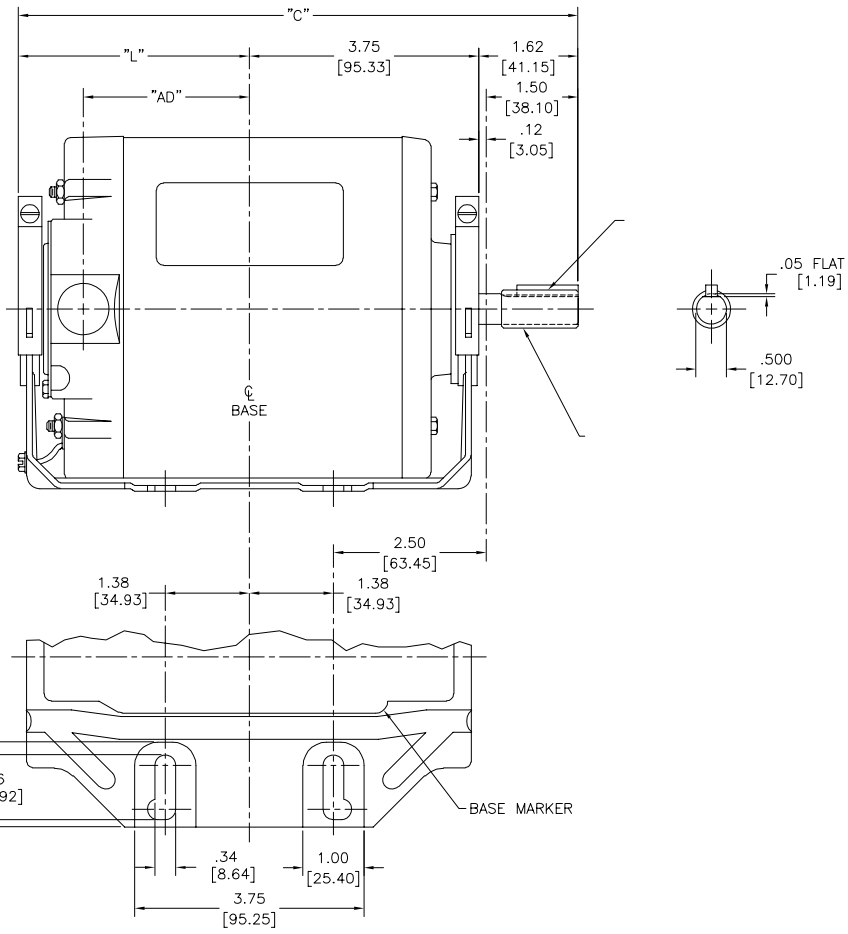
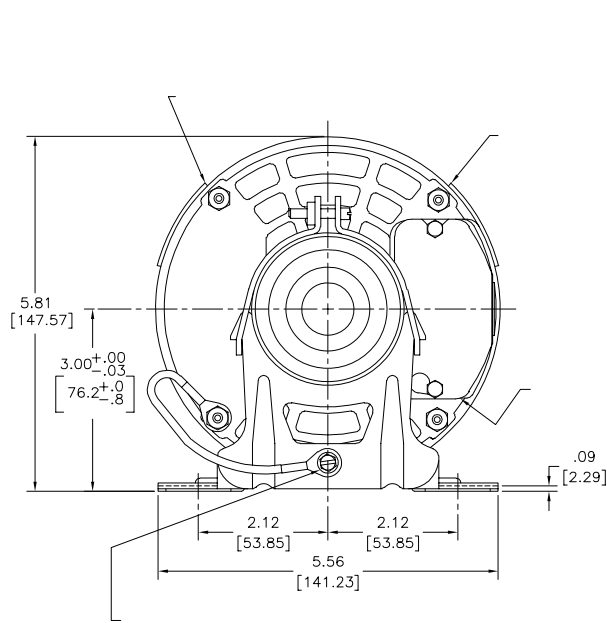
CARACTERÍSTICAS DE GEOMETRIA Y SIMBOLOS
 ▽ PLANICIDAD
 - RECTITUD
 < ANGULARIDAD
 ⊥ PERPENDICULARIDAD (A ESQUADRA)
 // PARALELISMO
 R REDONDEZ (CIRCULARIDAD)
 A CILINDRICIDAD
 ⊖ PERFIL DE CUALQUIER SUPERFICIE
 ⊕ PERFIL DE CUALQUIER LINEA
 † VARIACION
 ⊕ POSICION REAL
 ⊙ CONCENTRICIDAD
 ≡ SIMETRIA

A MENOS QUE SE ESPECIFIQUE DE OTRA MANERA, LAS TOLERANCIAS DE LAS DIMS: SON LAS SIGUIENTES:
 X XX XXX XXXX
 PULG ±.1 ±.02 ±.005 ±.0005
 mm ±0.5 ±0.13 ±0.013
 ANG. ±50 GRADOS
 ELIMINAR REBABAS Y ORILLAS FILOSAS DEL BORDE.
 PULG .003-.015 mm 0.1-.04
 FILETEAR ESQUINA: PULG .020 mm 0.5
 MAQUINAR SUPERFICIES
 PULG 125 mm 3.2

DIBUJADO POR: DHH 06-24-1974
 APROBADO POR: BH 06-27-1974
 TERCER ANGULO DE PROYECCION
 CONFIDENCIAL: ESTE DIBUJO Y SU INFORMACION SON PROPIEDAD DE USO EXCLUSIVO Y CONFIDENCIAL DE REGAL-BELOIT CORPORATION. Y NO DEBERAN SER REVELADOS, DUPLICADOS, DISTRIBUIDOS O USARSE DE OTRA MANERA SIN EL CONSENTIMIENTO ESCRITO DE REGAL-BELOIT CORPORATION. -TODOS LOS DERECHOS RESERVADOS.

REGAL REGAL-BELOIT CORPORATION
 DESCRIPCION: OUTLINE
 TAMAÑO: C NUMERO DE DIBUJO: 1011B50
 ESCALA: NONE HOJA: 1

版本	ECO	编制	日期	批准	日期
M	0026351	R.LIAN	05-25-2012	B.SHEN	05-25-2012



4708EM	S48F05A01	D48	9.90	[251.5]	4.53	[115.4]	3.47	[88.1]
4706EM	S48F04A01	B48	9.40	[238.8]	4.03	[102.4]	2.97	[75.4]
4701EM	S48F03A01	A48	9.15	[232.4]	3.78	[96.0]	2.72	[69.1]
-----	-----	48	8.90	[226.1]	3.53	[89.7]	2.47	[62.7]
-----	-----	D48	9.90	[251.5]	4.53	[115.4]	3.47	[88.1]
-----	-----	B48	9.40	[238.8]	4.03	[102.4]	2.97	[75.4]
-----	-----	A48	9.15	[232.4]	3.78	[96.0]	2.72	[69.1]

				"C"	"L"	"AD"
形位公差 □ 平面度 — 直线度 ∠ 倾斜度 ⊥ 垂直度 // 平行度 ○ 圆度 ⊙ 圆跳动 Ⓜ 面轮廓度 Ⓡ 线轮廓度 Ⓢ 圆跳动 Ⓣ 位置度 Ⓤ 同轴度 ≡ 对称度 ASME Y14.5M 1994						
除另有注明 尺寸公差如下: 英寸 X XX XXX XXXX 毫米 ±.1 ±.02 ±.005 ±.0005 英寸 ±0.5 ±0.13 ±0.013 角度 ±.50 度 清理毛刺和尖棱 英寸 .003-.015 毫米 0.1-0.4 内圆角 英寸 .020 毫米 0.5 表面粗糙度 英制 125 米制 3.2 米制尺寸显示在 []						

绘图:	DHH	06-24-1974
批准:	BH	06-27-1974
第三角投影	⊕	图纸格式发布日期 11-11-2011 图纸格式版本 H
机密: 本图纸及相关信息所有权归REGAL-BELOIT CORPORATION 未经REGAL-BELOIT CORPORATION书面授权, 不得泄露、 复制、传播或作其他用途。--版权所有		

REGAL-BELOIT CORPORATION	
名称	OUTLINE
图幅	C
图号	1011B50
比例	NONE
页号	1