

PRODUCT INFORMATION PACKET



Model No: FY3156

Catalog No: FY3156

1 1/2 HP Condenser Fans HVAC/R Motor, 3 phase, 1200 RPM, 200-230/460 V, 56Y Frame, TEAO
Condenser Fans Motors



Regal and Century are trademarks of Regal Beloit Corporation or one of its affiliated companies.
©2020 Regal Beloit Corporation, All Rights Reserved. MC017097E

The REGAL logo is a grey, trapezoidal shape with the word 'REGAL' in white, bold, uppercase letters inside. It is positioned on a blue, textured background that tapers from the top right towards the bottom right of the page.

REGAL



Nameplate Specifications

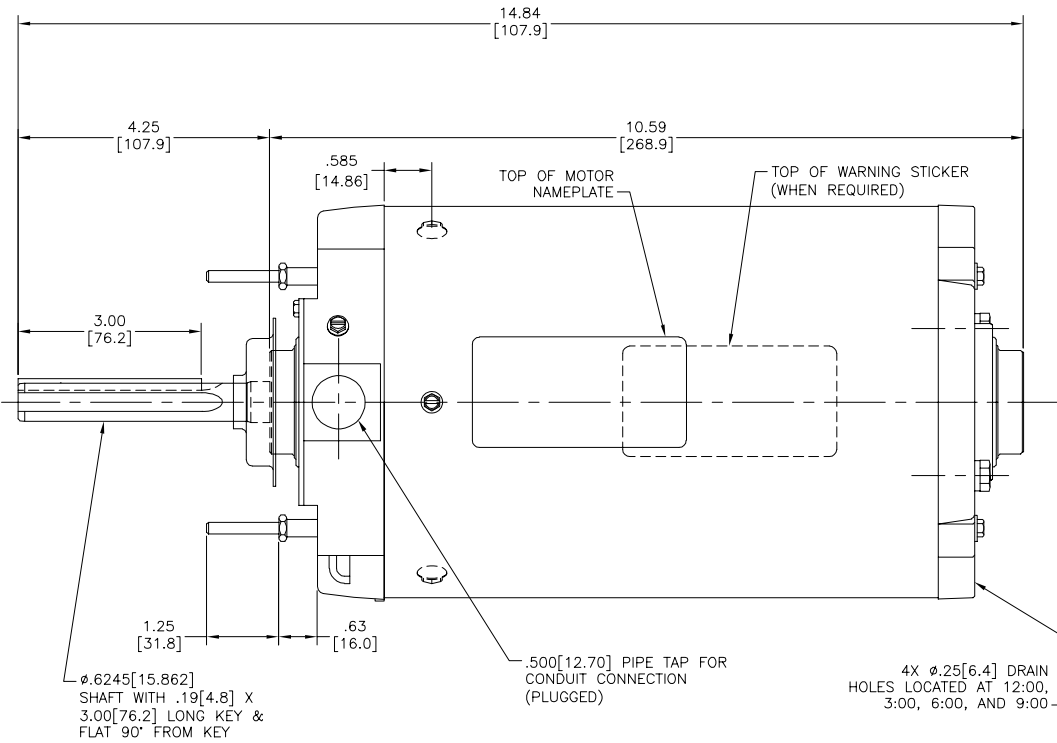
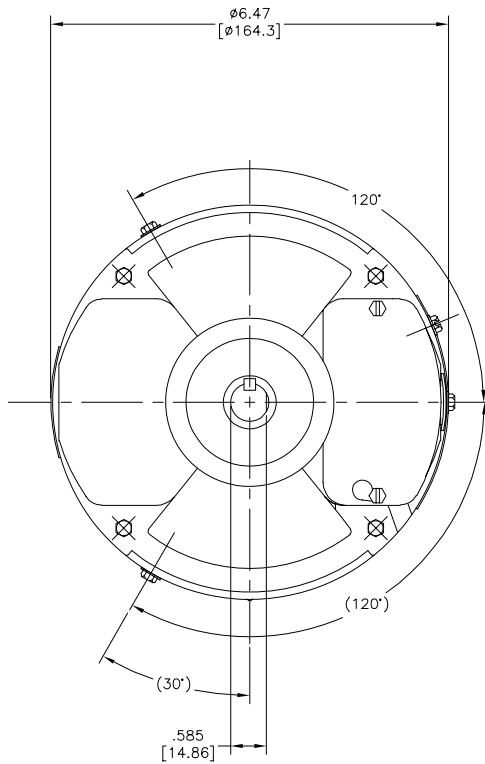
Output HP	1 1/2 Hp	Output KW	1.1 kW
Frequency	60 Hz	Voltage	200-230/460 V
Current	5.4/2.7 A	Speed	1140 rpm
Service Factor	1	Phase	3
Duty	Continuous Air Over	Insulation Class	B
Frame	56Y	Enclosure	Totally Enclosed Air Over
Thermal Protection	Automatic	Ambient Temperature	60 °C
UL	No	CSA	Y
CE	N		

Technical Specifications

Electrical Type	Polyphase	Starting Method	Across The Line
Poles	6	Rotation	Reversible
Mounting	Round	Drive End Bearing	Ball
Opp Drive End Bearing	Ball	Frame Material	Rolled Steel
Shaft Type	Keyed	Overall Length	14.84 in
Frame Length	7.44 in	Shaft Diameter	0.625 in
Shaft Extension	4.25 in		
Connection Drawing	165A839F02	Outline Drawing	11639-003

This is an uncontrolled document once printed or downloaded and is subject to change without notice. Date Created:06/11/2020

REV	ECO	REV BY	DATE	APPD	DATE
J	0025377	H.ZHANG	04-16-2012	B.SHEN	04-16-2012



GEOMETRIC CHARACTERISTICS & SYMBOLS

- FLATNESS
- STRAIGHTNESS
- ∠ ANGULARITY
- ⊥ PERPENDICULARITY (SQUARENESS)
- ∥ PARALLELISM
- ROUNDNESS (CIRCULARITY)
- ⊘ CYLINDRICITY
- ⌒ PROFILE OF ANY SURFACE
- ⌒ PROFILE OF ANY LINE
- ⌒ RUNOUT
- ⊕ TRUE POSITION
- ◎ CONCENTRICITY
- ≡ SYMMETRY

ASME Y14.5M 1994

UNLESS OTHERWISE SPECIFIED
DIM. TOLERANCES ARE AS FOLLOWS:

INCH	±.1	±.02	±.005	±.0005
mm	±0.5	±0.13	±0.013	

ANG. ±.50 DEG
REMOVE BURRS & BREAK SHARP EDGES:
INCH .003-.015 mm 0.1-.04
CORNER FILLETS TO:
INCH .020 mm 0.5
MACHINE SURFACES:
INCH 125 mm 3.2

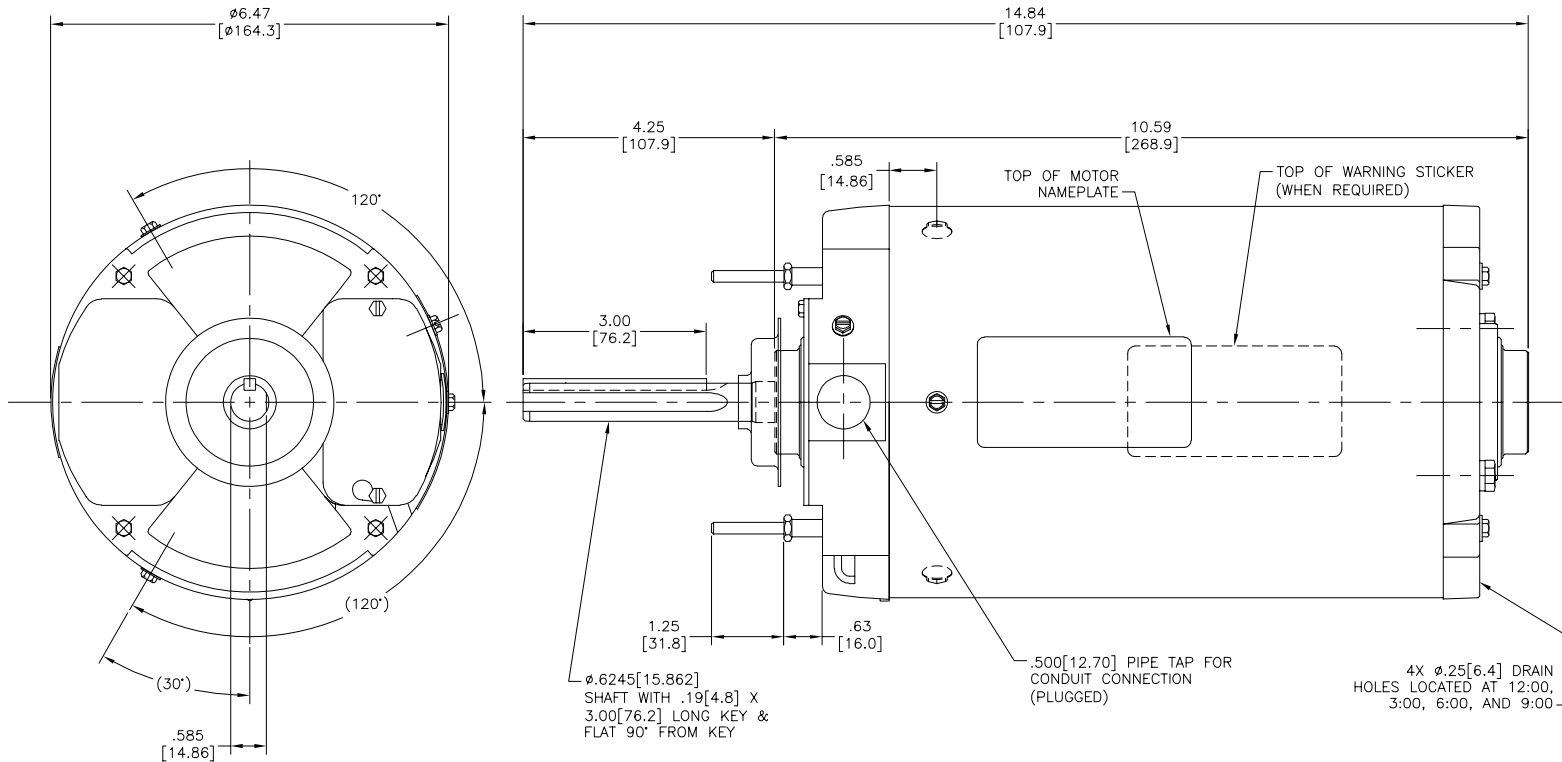
METRIC DIMS. SHOWN IN [BRACKETS]

DR BY:	DDS	06-06-1990
APPD:	JPR	08-18-1995
THIRD ANGLE PROJECTION		EDS DATE 11-11-2011 FORMAT REV C

CONFIDENTIAL: THIS DRAWING AND ITS INFORMATION ARE THE EXCLUSIVE AND CONFIDENTIAL PROPERTY OF REGAL-BELOIT CORPORATION AND ARE NOT TO BE DISCLOSED, DUPLICATED, DISTRIBUTED OR OTHERWISE USED WITHOUT THE WRITTEN CONSENT OF REGAL-BELOIT CORPORATION. -ALL RIGHTS RESERVED.

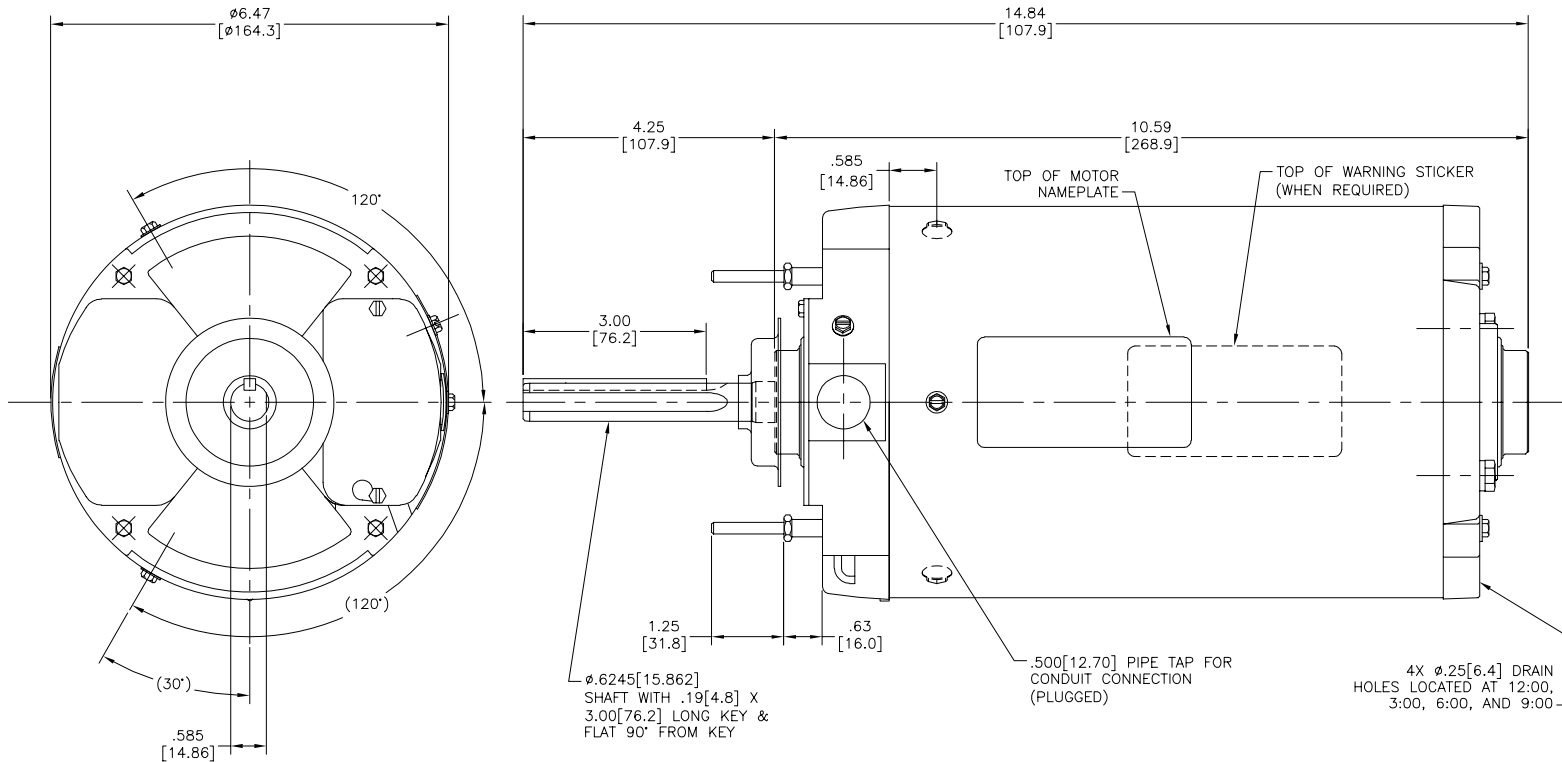
DESCRIPTION	
OUTLINE	
SIZE	DWG NO
C	11639-003
SCALE	SHEET
NONE	1

REVISION:	ECO	REVISADO POR:	FECHA:	APROBADO POR:	FECHA:
J	0025377	H.ZHANG	04-16-2012	B.SHEN	04-16-2012



CARACTERISTICAS DE GEOMETRIA Y SIMBOLOS: ▽ PLANICIDAD — RECTITUD ∠ ANGULARIDAD ⊥ PERPENDICULARIDAD (A ESQUADRA) // PARALELISMO ○ REDONDEZ (CIRCULARIDAD) R CILINDRICIDAD ~ PERFIL DE CUALQUIER SUPERFICIE ~ PERFIL DE CUALQUIER LINEA † VARIACION ⊕ POSICION REAL ⊙ CONCENTRICIDAD ⊖ SIMETRIA	A MENOS QUE SE ESPECIFIQUE DE OTRA MANERA, LAS TOLERANCIAS DE LAS DIMS. SON LAS SIGUIENTES: X XX XXX XXXX PULG ±.1 ±.02 ±.005 ±.0005 mm ±0.5 ±0.13 ±0.013 ANG. ±50 GRADOS ELIMINAR REBABS Y ORILLAS FILOSAS DEL BORDE. FILETEAR ESQUINA: PULG .020 mm 0.5 MAQUINAR SUPERFICIES PULG 125 mm 3.2 DIMS METRICAS MOSTRADAS [PARENTESIS]	DIBUJADO POR: DDS	06-06-1990	DESCRIPCION: OUTLINE	
		APROBADO POR: JPR	08-18-1995		FECHA EDS: 11-11-2011 REV. FORMATO: G
CONFIDENCIAL: ESTE DIBUJO Y SU INFORMACION SON PROPIEDAD DE USO EXCLUSIVO Y CONFIDENCIAL DE REGAL-BELOIT CORPORATION. Y NO DEBERAN SER REVELADOS, DUPLICADOS, DISTRIBUIDOS O USARSE DE OTRA MANERA SIN EL CONSENTIMIENTO ESCRITO DE REGAL-BELOIT CORPORATION. -TODOS LOS DERECHOS RESERVADOS.		TAMANO: C	NUMERO DE DIBUJO: 11639-003	ESCALA: NONE	HOJA: 1

版本	ECO	编制	日期	批准	日期
J	0025377	H.ZHANG	04-16-2012	B.SHEN	04-16-2012



形位公差	除另有注明
□ 平面度	尺寸公差如下:
— 直线度	英寸 X XX XXX XXXX
∠ 倾斜度	英寸 $\pm .1 \pm .02 \pm .005 \pm .0005$
⊥ 垂直度	毫米 $\pm 0.5 \pm 0.13 \pm 0.013$
∥ 平行度	角度 $\pm .50$ 度
○ 圆度	清理毛刺和尖棱
⊙ 圆柱度	英寸 $.003-.015$ 毫米 $0.1-0.4$
⌒ 面轮廓度	内圆角
⌒ 线轮廓度	英寸 $.020$ 毫米 0.5
⌒ 圆跳动	表面粗糙度
⌒ 位置度	英制 125 米制 3.2
⌒ 对称度	米制尺寸显示在 []

ASME Y14.5M 1994

绘图:	DDS	06-06-1990
批准:	JPR	08-18-1995
第三角投影		图纸格式发布日期 11-11-2011 图纸格式版本 C
机密: 本图纸及相关信息所有权归REGAL-BELOIT CORPORATION. 未经REGAL-BELOIT CORPORATION书面授权, 不得泄露、复制、传播或作其他用途。--版权所有		

名称	OUTLINE
图幅	C
图号	11639-003
比例	NONE
页号	1

