

PRODUCT INFORMATION PACKET



Model No: FSP4016S
Catalog No: FSP4016S
1/5 HP Fan & Blower Motor, 1050 RPM, 115 Volts, 48 Frame, Semi Enclosed
Direct Drive Motors



Regal and Century are trademarks of Regal Beloit Corporation or one of its affiliated companies.
©2020 Regal Beloit Corporation, All Rights Reserved. MC017097E





Nameplate Specifications

Output HP	1/5 Hp	Output KW	0.15 kW
Frequency	60 Hz	Voltage	115 V
Current	3.2 A	Speed	1050 rpm
Service Factor	1	Phase	1
Duty	Air Over	Insulation Class	A
Frame	48Y	Enclosure	Semi Enclosed
Thermal Protection	Automatic	Ambient Temperature	40 °C
UL	Recognized	CSA	N
CE	N		

Technical Specifications

Electrical Type	Permanent Split Capacitor	Starting Method	Across The Line
Poles	6	Rotation	Counterclockwise Lead End
Mounting	Resilient Rings	Motor Orientation	Horizontal
Drive End Bearing	Sleeve	Opp Drive End Bearing	Sleeve
Frame Material	Rolled Steel	Shaft Type	Flat
Overall Length	9.74 in	Frame Length	3.88 in
Shaft Diameter	0.500 in	Shaft Extension	4.8 in
Outline Drawing	FSP4016S-S01	Connection Drawing	614131-231

This is an uncontrolled document once printed or downloaded and is subject to change without notice. Date Created:06/11/2020

REV	ECO	REV BY	DATE	APPD	DATE
A	0024033	B.ZHAO	01-19-2012	B.SHEN	01-19-2012

GENERAL INFORMATION:

SHAFT RUNOUT: .001[.03] T.I.R. PER INCH LENGTH OF EXTENSION.

END PLAY: .010[.03] TO .063[1.60]

BEARINGS: SLEEVE

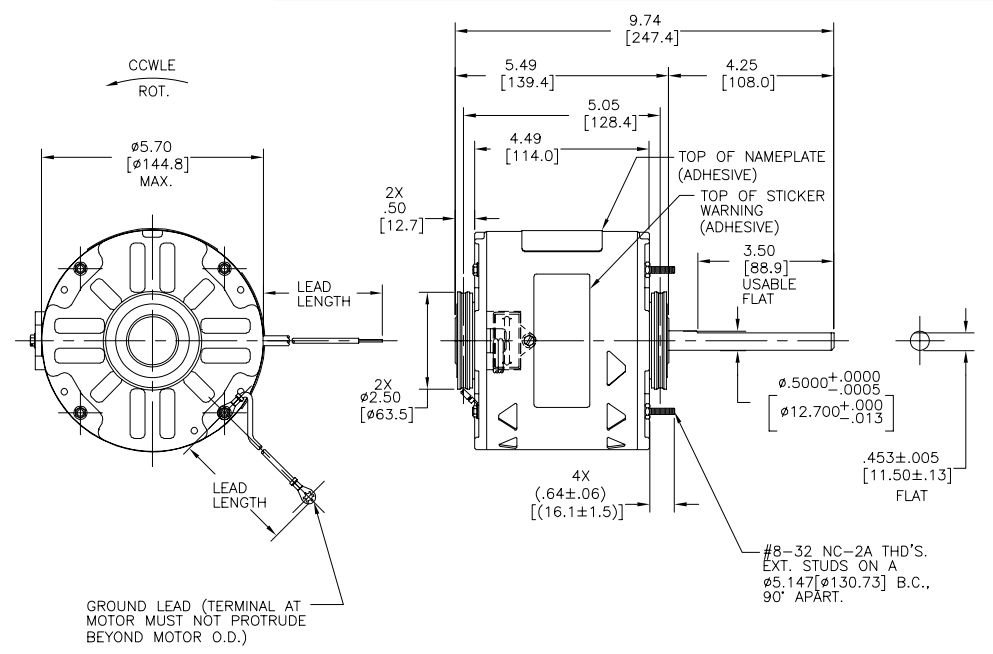
MOUNTING POSITION: HORIZONTAL

ELECTRICAL DATA:

OVERLOAD PROTECTOR: AUTOMATIC RESET (T.I. 7AM 032)

LEADS: NO. 18 GA., .03[.8] THK., XLP 125°C INSUL.

GROUND LEAD: NO. 18 GA., .03[.8] THK., (GREEN) INSUL.



NAMEPLATE DATA:	EXTERNAL CONNECTION DIAGRAM
MODEL NO.: F48H95A01 CUST. P/N: FSP4016S HP: 1/5 ROT.: CCWLE RPM: 1050 TYPE: UF FRAME: 48Y VOLTS: 115 PH: 1 AMPS: 3.2 (4.0 MAX) HZ: 60 INS.: A AMB.: 40° C DUTY: AIR OVER CAP.: 5 MFD/250 V ENCL: SEMI-ENCL. UL LOGO THERMALLY PROTECTED	

GREEN(GRD)	9.0/11.0 [229/279]	#10 EYELET
BROWN	CONNECTED TO CAPACITOR	.19[4.8] FEMALE SPADE
BROWN	CONNECTED TO CAPACITOR	.19[4.8] FEMALE SPADE
2 CONDUCTOR RIPCORD	29.0/32.0 [737/813]	.60[15.2] SKIN
COLOR	LENGTH	TERMINAL OR STRIP LENGTH

MAIN FRAME - OLE	SEMI-ENCL.
END FRAME - OLE	OPEN
MAIN FRAME - LE	SEMI-ENCL.
END FRAME - LE	OPEN

PERFORMANCE CURVE NO.	TORQUE @ 1050 RPM (25°C)	APPROVED SAMPLE	UL COMPONENT FILE #	CCN #	CSA FILE #	CLASS #
C31453	17.2 OZ. FT.	97AC038A	E46412	PRGY2	----	----

GEOMETRIC CHARACTERISTICS & SYMBOLS

- ▭ FLATNESS
- STRAIGHTNESS
- ∠ ANGULARITY
- ⊥ PERPENDICULARITY (SQUARENESS)
- ∥ PARALLELISM
- ROUNDNESS (CIRCULARITY)
- ⊘ CYLINDRICITY
- ⌒ PROFILE OF ANY SURFACE
- ⌒ PROFILE OF ANY LINE
- ↗ RUNOUT
- ⊕ TRUE POSITION
- ⊙ CONCENTRICITY
- ≡ SYMMETRY

ASME Y14.5M 1994

REGAL-BELOIT CORPORATION (RBC) PROVIDES TECHNICAL ASSISTANCE TO OUR CUSTOMERS IN SEVERAL AREAS. SINCE RBC DOES NOT RECEIVE ALL DATA CONCERNING THE USE AND APPLICATION OF THE MOTOR, THE SUITABILITY OF THE MOTOR FOR THE APPLICATION MUST BE DETERMINED BY THE CUSTOMER.

DIMENSIONS WITHOUT TOLERANCES ARE FOR REFERENCE ONLY.

DR BY: B.ZHAO 01-19-2012

APPD: B.SHEN 01-19-2012

THIRD ANGLE PROJECTION

EDS DATE 11-11-2011
FORMAT REV G

CONFIDENTIAL: THIS DRAWING AND ITS INFORMATION ARE THE EXCLUSIVE AND CONFIDENTIAL PROPERTY OF REGAL-BELOIT CORPORATION AND ARE NOT TO BE DISCLOSED, DUPLICATED, DISTRIBUTED OR OTHERWISE USED WITHOUT THE WRITTEN CONSENT OF REGAL-BELOIT CORPORATION. -ALL RIGHTS RESERVED.

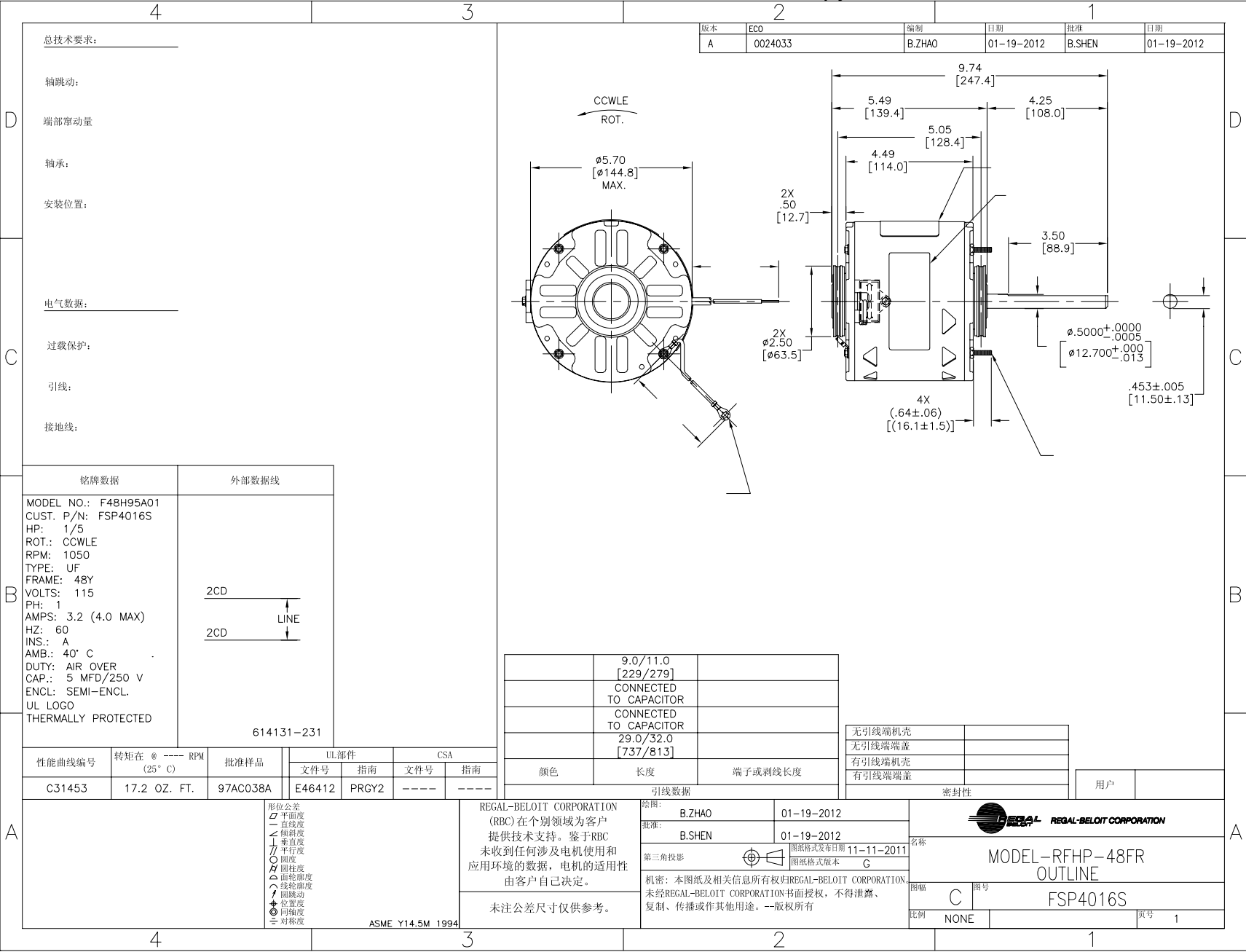
REGAL-BELOIT CORPORATION

DESCRIPTION: MODEL-RFHP-48FR OUTLINE

SIZE: C DWG NO: FSP4016S

SCALE: NONE SHEET: 1

4	3	2	1																								
<p>INFORMACION GENERAL:</p> <p>OSCILACION DE FLECHA: -</p> <p>JUEGO AXIAL: -</p> <p>BALEROS: -</p> <p>POSICION DEL MONTAJE: -</p> <p>INFORMACION ELECTRICA:</p> <p>PROTECTOR DE SOBRECARGA: -</p> <p>CABLES: -</p> <p>CABLE DE TIERRA: -</p>		<table border="1" style="width:100%; border-collapse: collapse;"> <tr> <td>REVISION:</td> <td>ECO</td> <td>REVISADO POR:</td> <td>FECHA:</td> <td>APROBADO POR:</td> <td>FECHA:</td> </tr> <tr> <td>A</td> <td>0024033</td> <td>B.ZHAO</td> <td>01-19-2012</td> <td>B.SHEN</td> <td>01-19-2012</td> </tr> </table>		REVISION:	ECO	REVISADO POR:	FECHA:	APROBADO POR:	FECHA:	A	0024033	B.ZHAO	01-19-2012	B.SHEN	01-19-2012												
REVISION:	ECO	REVISADO POR:	FECHA:	APROBADO POR:	FECHA:																						
A	0024033	B.ZHAO	01-19-2012	B.SHEN	01-19-2012																						
<table border="1" style="width:100%; border-collapse: collapse;"> <tr> <td style="width:50%;">INFORMACION DE ETIQUETA:</td> <td style="width:50%;">DIAGRAMA DE CONEXION EXTRNA</td> </tr> <tr> <td> MODEL NO.: F48H95A01 CUST. P/N: FSP4016S HP: 1/5 ROT.: CCWLE RPM: 1050 TYPE: UF FRAME: 48Y VOLTS: 115 PH: 1 AMPS: 3.2 (4.0 MAX) HZ: 60 INS.: A AMB.: 40° C DUTY: AIR OVER CAP.: 5 MFD/250 V ENCL: SEMI-ENCL. UL LOGO THERMALLY PROTECTED </td> <td style="text-align: center;"> </td> </tr> </table>		INFORMACION DE ETIQUETA:	DIAGRAMA DE CONEXION EXTRNA	MODEL NO.: F48H95A01 CUST. P/N: FSP4016S HP: 1/5 ROT.: CCWLE RPM: 1050 TYPE: UF FRAME: 48Y VOLTS: 115 PH: 1 AMPS: 3.2 (4.0 MAX) HZ: 60 INS.: A AMB.: 40° C DUTY: AIR OVER CAP.: 5 MFD/250 V ENCL: SEMI-ENCL. UL LOGO THERMALLY PROTECTED		<table border="1" style="width:100%; border-collapse: collapse;"> <tr> <td style="width:25%;">-</td> <td style="width:25%;">9.0/11.0 [229/279]</td> <td style="width:25%;">-</td> <td style="width:25%;">-</td> </tr> <tr> <td>-</td> <td>CONNECTED TO CAPACITOR</td> <td>-</td> <td>-</td> </tr> <tr> <td>-</td> <td>CONNECTED TO CAPACITOR</td> <td>-</td> <td>-</td> </tr> <tr> <td>-</td> <td>29.0/32.0 [737/813]</td> <td>-</td> <td>-</td> </tr> <tr> <td>COLOR</td> <td>LONGITUD</td> <td>TERMINAL O LONGITUD DE DESFORRE</td> <td></td> </tr> </table>		-	9.0/11.0 [229/279]	-	-	-	CONNECTED TO CAPACITOR	-	-	-	CONNECTED TO CAPACITOR	-	-	-	29.0/32.0 [737/813]	-	-	COLOR	LONGITUD	TERMINAL O LONGITUD DE DESFORRE	
INFORMACION DE ETIQUETA:	DIAGRAMA DE CONEXION EXTRNA																										
MODEL NO.: F48H95A01 CUST. P/N: FSP4016S HP: 1/5 ROT.: CCWLE RPM: 1050 TYPE: UF FRAME: 48Y VOLTS: 115 PH: 1 AMPS: 3.2 (4.0 MAX) HZ: 60 INS.: A AMB.: 40° C DUTY: AIR OVER CAP.: 5 MFD/250 V ENCL: SEMI-ENCL. UL LOGO THERMALLY PROTECTED																											
-	9.0/11.0 [229/279]	-	-																								
-	CONNECTED TO CAPACITOR	-	-																								
-	CONNECTED TO CAPACITOR	-	-																								
-	29.0/32.0 [737/813]	-	-																								
COLOR	LONGITUD	TERMINAL O LONGITUD DE DESFORRE																									
<table border="1" style="width:100%; border-collapse: collapse;"> <tr> <td>CURVAS DE FUNCIONAMIENTO</td> <td>TORSION @ RPM (25°C)</td> <td>MUESTRA APROBADA</td> <td>COMPONENTE UL</td> <td>CSA</td> </tr> <tr> <td>C31453</td> <td>17.2 OZ. FT.</td> <td>97AC038A</td> <td>E46412 PRGY2</td> <td>-----</td> </tr> </table>		CURVAS DE FUNCIONAMIENTO	TORSION @ RPM (25°C)	MUESTRA APROBADA	COMPONENTE UL	CSA	C31453	17.2 OZ. FT.	97AC038A	E46412 PRGY2	-----	<table border="1" style="width:100%; border-collapse: collapse;"> <tr> <td>CARCASA - LOC</td> <td>-</td> <td rowspan="3">TIPO DE MOTOR</td> <td rowspan="3">CLIENTE</td> </tr> <tr> <td>TAPA - LOC</td> <td>-</td> </tr> <tr> <td>CARCASA - LC</td> <td>-</td> </tr> <tr> <td>TAPA - LC</td> <td>-</td> <td></td> <td></td> </tr> </table>		CARCASA - LOC	-	TIPO DE MOTOR	CLIENTE	TAPA - LOC	-	CARCASA - LC	-	TAPA - LC	-				
CURVAS DE FUNCIONAMIENTO	TORSION @ RPM (25°C)	MUESTRA APROBADA	COMPONENTE UL	CSA																							
C31453	17.2 OZ. FT.	97AC038A	E46412 PRGY2	-----																							
CARCASA - LOC	-	TIPO DE MOTOR	CLIENTE																								
TAPA - LOC	-																										
CARCASA - LC	-																										
TAPA - LC	-																										
<p>INFORMACION DE GEOMETRIA Y SIMBOLOS</p> <p>∠ PLANICIDAD</p> <p>- RECTITUD</p> <p>∠ ANGULARIDAD</p> <p>⊥ PERPENDICULARIDAD (A ESQUADRA)</p> <p>// PARALELISMO</p> <p>○ REDONDEZ (CIRCULARIDAD)</p> <p>⊘ CILINDRICIDAD</p> <p>⊖ PERFIL DE CUALQUIER SUPERFICIE</p> <p>⌒ PERFIL DE CUALQUIER LINEA</p> <p>↑ VARIACION</p> <p>⊕ POSICION REAL</p> <p>⊙ CONCENRICIDAD</p> <p>≡ SIMETRIA</p> <p style="text-align: right;">ASME Y14.5M 1994</p>		<p>REGAL-BELOIT CORPORATION (RBC) PROVEE ASISTENCIA TECNICA A NUESTROS CLIENTES EN VARIAS AREAS. DESDE QUE RBC NO RECIBE TODOS LOS DATOS EN RELACION AL USO Y A LA APLICACION DEL MOTOR, LA APLICACION ADECUADA DEL MOTOR DEBE SER DETERMINADA POR EL CLIENTE.</p> <p>DIMENSIONES SIN TOLERANCIA SON DE REFERENCIA SOLAMENTE</p>																									
<p>DIBUJADO POR: B.ZHAO</p> <p>FECHA EDS: 11-11-2011</p> <p>REVISION: G</p>		<p>APROBADO POR: B.SHEN</p> <p>FECHA: 01-19-2012</p> <p>REV. FORMATO: G</p>																									
<p>DESCRIPCION:</p> <p style="text-align: center;">MODEL-RFHP-48FR OUTLINE</p>		<p>TAMAÑO: C</p> <p>NUMERO DE DIBUJO: FSP4016S</p>																									
<p>ESCALA: NONE</p>		<p>HOJA: 1</p>																									



版本	ECO	编制	日期	批准	日期
A	0024033	B.ZHAO	01-19-2012	B.SHEN	01-19-2012

总技术要求: _____

轴跳动: _____

端部窜动量: _____

轴承: _____

安装位置: _____

电气数据: _____

过载保护: _____

引线: _____

接地线: _____

铭牌数据	外部数据线
MODEL NO.: F48H95A01 CUST. P/N: FSP4016S HP: 1/5 ROT.: CCWLE RPM: 1050 TYPE: UF FRAME: 48Y VOLTS: 115 PH: 1 AMPS: 3.2 (4.0 MAX) HZ: 60 INS.: A AMB.: 40° C DUTY: AIR OVER CAP.: 5 MFD/250 V ENCL: SEMI-ENCL. UL LOGO THERMALLY PROTECTED	2CD LINE 2CD

	9.0/11.0 [229/279]	
	CONNECTED TO CAPACITOR	
	CONNECTED TO CAPACITOR	
	29.0/32.0 [737/813]	

性能曲线编号	转矩在 @ --- RPM (25° C)	批准样品	UL部件	CSA
C31453	17.2 OZ. FT.	97AC038A	E46412 PRGY2	----

形位公差 □ 平面度 — 直线度 < 倾斜度 ⊥ 垂直度 // 平行度 ○ 圆度 ⊙ 圆跳动 ⊖ 圆跳动 ⊕ 圆跳动 ⊖ 同轴度 ⊕ 对称度	REGAL-BELOIT CORPORATION (RBC) 在个别领域为客户提供技术支持。鉴于RBC未收到任何涉及电机使用和应用环境的数据，电机的适用性由客户自己决定。 未注公差尺寸仅供参考。
---	--

颜色	长度	端子或剥线长度
----	----	---------

无引线端机壳	
无引线端盖	
有引线端机壳	
有引线端盖	

密封性	用户
-----	----

形位公差 □ 平面度 — 直线度 < 倾斜度 ⊥ 垂直度 // 平行度 ○ 圆度 ⊙ 圆跳动 ⊖ 圆跳动 ⊕ 圆跳动 ⊖ 同轴度 ⊕ 对称度	ASME Y14.5M 1994	绘图: B.ZHAO 01-19-2012 批准: B.SHEN 01-19-2012 第三角投影 机密: 本图纸及相关信息所有权归REGAL-BELOIT CORPORATION。未经REGAL-BELOIT CORPORATION书面授权，不得泄露、复制、传播或作其他用途。--版权所有	名称: MODEL-RFHP-48FR OUTLINE 图号: FSP4016S 比例: NONE 页号: 1
---	------------------	--	--