

PRODUCT INFORMATION PACKET



Model No:
Catalog No: FSP4006S
MODEL-RFHP-48FR
Direct Drive



Regal and Century are trademarks of Regal Beloit Corporation or one of its affiliated companies.

©2021 Regal Beloit Corporation, All Rights Reserved. MC017097E





Nameplate Specifications

Output HP	1/8 HP	Output KW	0.10 kW
Frequency	60 Hz	Voltage	115 V
Current	2.4 A	Speed	1050 RPM
Service Factor	1	Phase	1
Duty	Air Over	Insulation Class	A
Frame	48Y	Enclosure	Open Enclosed
Overload Protector	Automatic	Ambient Temperature	40 °C
UL	Recognized	CSA	N
CE	N		

Technical Specifications

Electrical Type	Permanent Split Capacitor	Starting Method	Induction Run
Poles	6	Rotation	Counterclockwise Lead End
Mounting	Resilient Rings	Motor Orientation	Horizontal
Drive End Bearing	Sleeve	Opp Drive End Bearing	Sleeve
Frame Material	Rolled Steel	Shaft Type	Flat
Overall Length	10.30 in	Frame Length	3.75 in
Shaft Diameter	0.500 in	Shaft Extension	5.4 FLAT in
Outline Drawing	11760-060-S01	Connection Diagram	614131-231

This is an uncontrolled document once printed or downloaded and is subject to change without notice. Date Created: 01/13/2021

REV	ECO	REV BY	DATE	APPD	DATE
F	0025550	A. ARREOLA	04-27-2012	D. BALDERRAMA	04-27-2012

GENERAL INFORMATION:

SHAFT RUNOUT: .001[.03] T.I.R. PER INCH LENGTH OF EXTENSION.

END PLAY: .010[.25] TO .063[1.60]

BEARINGS: SLEEVE

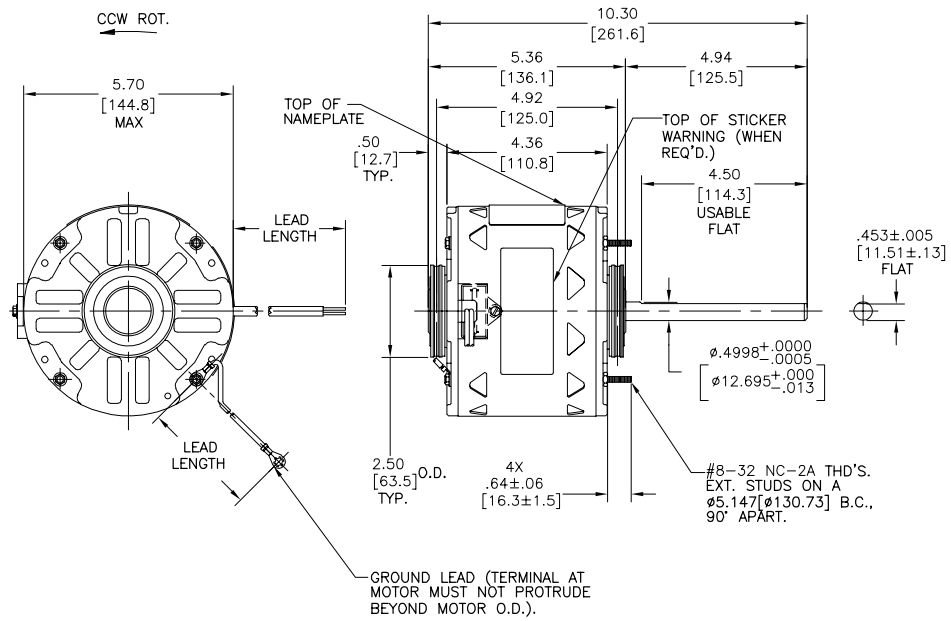
MOUNTING POSITION: HORIZONTAL

ELECTRICAL DATA:

OVERLOAD PROTECTOR: AUTOMATIC RESET (T.I. 7AM 032)

LEADS: NO. 18 GA., .06[1.5] THK., 125°C INSUL.

GROUND LEAD: NO. 18 GA., .03[.8] THK., (GREEN) INSUL.



SEE NOTE 1

NAMEPLATE DATA:	EXTERNAL CONNECTION DIAGRAM
MODEL: F48H22A01 CUST. P/N: <input type="text"/> HP: 1/8 ROT: CCWLE RPM: 1050 TYPE: UF FRAME: 48Y VOLTS: 115 PH: 1 AMPS: 2.4 (2.5 MAX) HZ: 60 INS: A AMB: 40°C DUTY: AIR OVER CAP.: 5 MFD/250 V ENCL: OPEN UL LOGO THERMALLY PROTECTED	CONNECTION DIAGRAM

GREEN(GRD)	9.0/11.0 [229/279]	#10 EYELET
BROWN	CONNECTED TO CAPACITOR	.19[4.8] FEMALE SPADE
BROWN	CONNECTED TO CAPACITOR	.19[4.8] FEMALE SPADE
2 COND RIP CORD	29.0/31.0 [737/787]	.60[15.2] SKIN
COLOR	LENGTH	TERMINAL OR STRIP LENGTH
LEAD DATA		

NOTE:
1. DISTRIBUTION PART NUMBER: FSP4006S
GRAINGER PART NUMBER: 4UU71

MAIN FR.-OLE	OPEN
END FR.-OLE	OPEN
MAIN FR.-LE	OPEN
END FR.-LE	OPEN
ENCLOSURE	

CUST .	DISTRIBUTION SERVICES
--------	-----------------------

PREFORMANCE CURVE NO.	TORQUE @ 1550 RPM(25°C)	APPROVED SAMPLE	UL COMPONENT FILE#	CSA GUIDE#
C31384	13.6 OZ. FT.	96AC218A	E46412	PRGY2 LR43341 206-∅-0

GEOMETRIC CHARACTERISTICS & SYMBOLS

- ▭ FLATNESS
- STRAIGHTNESS
- ∠ ANGULARITY
- ⊥ PERPENDICULARITY (SQUARENESS)
- ∥ PARALLELISM
- ROUNDNESS (CIRCULARITY)
- ∅ CYLINDRICITY
- ⌒ PROFILE OF ANY SURFACE
- ⌒ PROFILE OF ANY LINE
- ⊕ RUNOUT
- ⊕ TRUE POSITION
- ⊙ CONCENTRICITY
- ⊖ SYMMETRY

ASME Y14.5M 1994

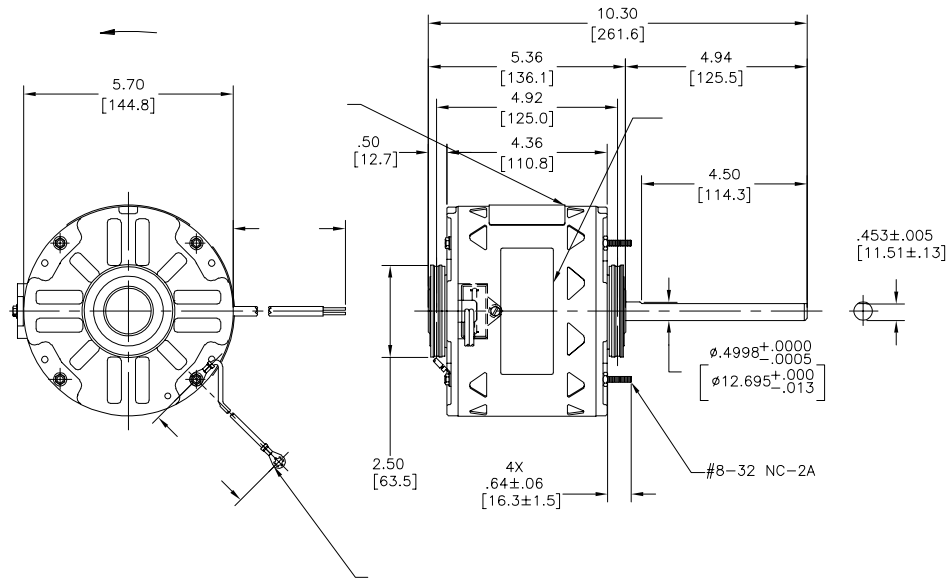
REGAL-BELOIT CORPORATION (RBC) PROVIDES TECHNICAL ASSISTANCE TO OUR CUSTOMERS IN SEVERAL AREAS. SINCE RBC DOES NOT RECEIVE ALL DATA CONCERNING THE USE AND APPLICATION OF THE MOTOR, THE SUITABILITY OF THE MOTOR FOR THE APPLICATION MUST BE DETERMINED BY THE CUSTOMER.

DIMENSIONS WITHOUT TOLERANCES ARE FOR REFERENCE ONLY.

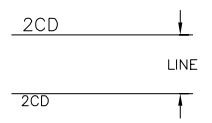
DR BY: D. JONES	09-16-1996
APPD: T. RILE	01-27-1997
THIRD ANGLE PROJECTION	EDS DATE 11-11-2011 FORMAT REV C
CONFIDENTIAL: THIS DRAWING AND ITS INFORMATION ARE THE EXCLUSIVE AND CONFIDENTIAL PROPERTY OF REGAL-BELOIT CORPORATION AND ARE NOT TO BE DISCLOSED, DUPLICATED, DISTRIBUTED OR OTHERWISE USED WITHOUT THE WRITTEN CONSENT OF REGAL-BELOIT CORPORATION. -ALL RIGHTS RESERVED.	

DESCRIPTION	
MODEL-RFHP-48FR OUTLINE	
SIZE C	DWG NO 11760-060
SCALE NONE	SHEET 1

REVISION:	ECO	REVISADO POR:	FECHA:	APROBADO POR:	FECHA:
F	0025550	A. ARREOLA	04-27-2012	D. BALDERRAMA	04-27-2012



MODEL: F48H22A01
 CUST. P/N:
 HP: 1/8
 ROT: CCWLE
 RPM: 1050
 TYPE: UF
 FRAME: 48Y
 VOLTS: 115
 PH: 1
 AMPS: 2.4 (2.5 MAX)
 HZ: 60
 INS: A
 AMB: 40°C
 DUTY: AIR OVER
 CAP.: 5 MFD/250 V
 ENCL: OPEN
 UL LOGO
 THERMALLY PROTECTED



614131-231

	9.0/11.0 [229/279]	
		.19[4.8]
		.19[4.8]
	29.0/31.0 [737/787]	.60[15.2]

C31384	13.6 OZ. FT.	96AC218A	E46412	PRGY2	LR43341	206-0-0
--------	--------------	----------	--------	-------	---------	---------

CARACTERISTICAS DE GEOMETRIA Y SIMBOLOS
 ▮ PLANICIDAD
 - RECTITUD
 < ANGULARIDAD
 ⊥ PERPENDICULARIDAD (A ESCUADRA)
 // PARALELISMO
 ○ REDONDEZ (CIRCULARIDAD)
 / CILINDRICIDAD
 ⊖ PERFIL DE CUALQUIER SUPERFICIE
 ~ PERFIL DE CUALQUIER LINEA
 † VARIACION
 ⊕ POSICION REAL
 ⊙ CONCENTRICIDAD
 ≡ SIMETRIA ASME Y14.5M 1994

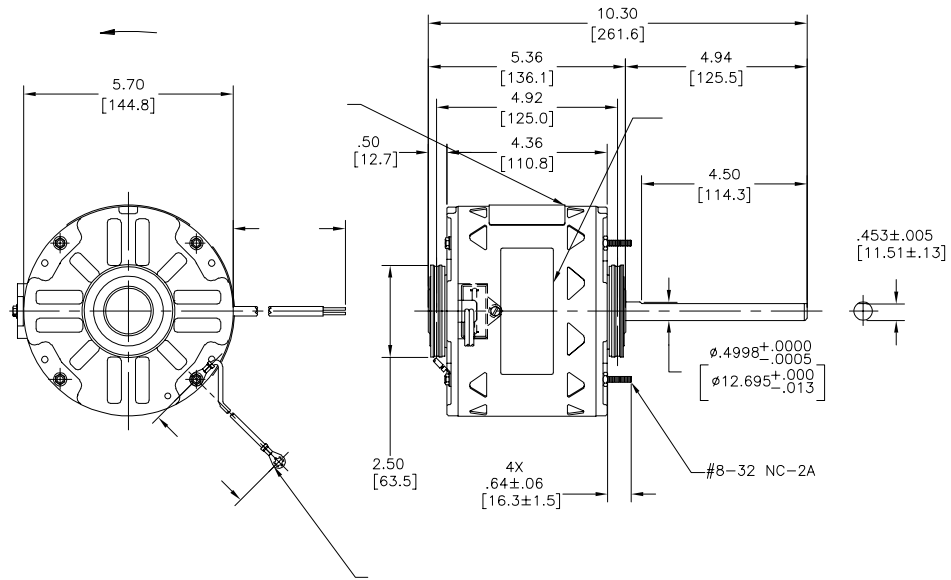
REGAL-BELOIT CORPORATION (RBC)
 PROVEE ASISTENCIA TECNICA A
 NUESTROS CLIENTES EN VARIAS AREAS.
 DESDE QUE RBC NO RECIBE TODOS
 LOS DATOS EN RELACION AL USO Y A
 LA APLICACION DEL MOTOR, LA
 APLICACION ADECUADA DEL MOTOR
 DEBE SER DETERMINADA POR EL
 CLIENTE.

DIMENSIONES SIN TOLERANCIA SON
 DE REFERENCIA SOLAMENTE

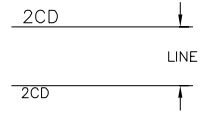
DIBUJADO POR:
 D. JONES 09-16-1996
 APROBADO POR:
 T. RILE 01-27-1997
 TERCER ANGULO DE PROYECCION
 CONFIDENCIAL: ESTE DIBUJO Y SU INFORMACION SON PROPIEDAD DE USO EXCLUSIVO Y CONFIDENCIAL DE REGAL-BELOIT CORPORATION, Y NO DEBERAN SER REVELADOS, DUPLICADOS, DISTRIBUIDOS O USARSE DE OTRA MANERA SIN EL CONSENTIMIENTO ESCRITO DE REGAL-BELOIT CORPORATION. -TODOS LOS DERECHOS RESERVADOS.

DESCRIPCION:
**MODEL-RFHP-48FR
 OUTLINE**
 TAMAÑO: C NUMERO DE DIBUJO:
 11760-060
 ESCALA: NONE HOJA: 1

版本	ECO	编制	日期	批准	日期
F	0025550	A. ARREOLA	04-27-2012	D. BALDERRAMA	04-27-2012



MODEL: F48H22A01
 CUST. P/N:
 HP: 1/8
 ROT: CCWLE
 RPM: 1050
 TYPE: UF
 FRAME: 48Y
 VOLTS: 115
 PH: 1
 AMPS: 2.4 (2.5 MAX)
 HZ: 60
 INS: A
 AMB: 40°C
 DUTY: AIR OVER
 CAP.: 5 MFD/250 V
 ENCL: OPEN
 UL LOGO
 THERMALLY PROTECTED



614131-231

	9.0/11.0 [229/279]	
		.19[4.8]
		.19[4.8]
	29.0/31.0 [737/787]	.60[15.2]

C31384	13.6 OZ. FT.	96AC218A	E46412	PRGY2	LR43341	206-Ø-0
--------	--------------	----------	--------	-------	---------	---------

- 形位公差
- 平面度
- 直线度
- ∠ 倾斜度
- ⊥ 垂直度
- ∥ 平行度
- 圆度
- ⊙ 圆跳动
- ⌒ 面轮廓度
- ⌒ 线轮廓度
- ↻ 圆跳动
- ↻ 位置度
- ↻ 同轴度
- ↻ 对称度

ASME Y14.5M 1994

REGAL-BELOIT CORPORATION
 (RBC) 在个别领域为客户
 提供技术支持。鉴于 RBC
 未收到任何涉及电机使用
 和应用环境的数据，电机的适用性
 由客户自己决定。
 未注公差尺寸仅供参考。

绘图:	D. JONES	09-16-1996
批准:	T. RILE	01-27-1997
第三角投影		图纸格式发布日期 11-11-2011 图纸格式版本 C
机密: 本图纸及相关信息所有权归REGAL-BELOIT CORPORATION 未经REGAL-BELOIT CORPORATION书面授权, 不得泄露、 复制、传播或作其他用途。--版权所有		

名称	MODEL-RFHP-48FR OUTLINE
图幅	C 图号 11760-060
比例	NONE 页号 1