

PRODUCT INFORMATION PACKET



Model No: FS1026S
Catalog No: FS1026S
1/4 HP Condenser Fan Motor, 1075 RPM, 208-230 Volts, 48 Frame, Semi Enclosed
Condenser Fans Motors



Regal and Century are trademarks of Regal Beloit Corporation or one of its affiliated companies.
©2020 Regal Beloit Corporation, All Rights Reserved. MC017097E





Nameplate Specifications

Output HP	1/4 Hp	Output KW	0.19 kW
Frequency	60 Hz	Voltage	208-230 V
Current	1.8 A	Speed	1075 rpm
Service Factor	1	Phase	1
Duty	Air Over	Insulation Class	B
Frame	48Y	Enclosure	Semi Enclosed
Thermal Protection	Automatic	Ambient Temperature	60 °C
UL	Recognized	CSA	Y
CE	N		

Technical Specifications

Electrical Type	Permanent Split Capacitor	Starting Method	Across The Line
Poles	8	Rotation	Reversible
Mounting	Extended Studs	Motor Orientation	Any
Drive End Bearing	Sleeve	Opp Drive End Bearing	Sleeve
Frame Material	Rolled Steel	Shaft Type	Double Flat
Overall Length	10.93 in	Frame Length	3.38 in
Shaft Diameter	0.500 in	Shaft Extension	6.4 in
Outline Drawing	FS1026S-S01	Connection Drawing	614131-115

This is an uncontrolled document once printed or downloaded and is subject to change without notice. Date Created:22/09/2020

GENERAL INFORMATION:

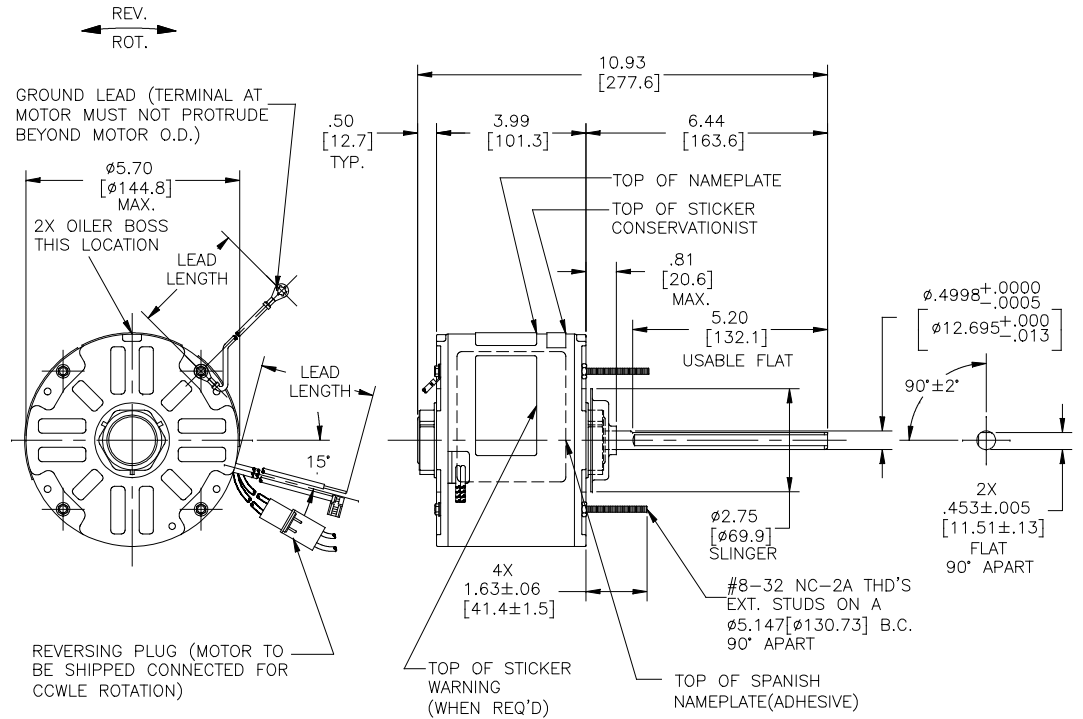
SHAFT RUNOUT: .001 [.03] T.I.R. PER INCH LENGTH OF EXTENSION
 END PLAY: .010 TO .063 [.25 TO 1.60]

BEARINGS: SLEEVE
 MOUNTING POSITION: HORIZONTAL OR VERTICAL SHAFT-UP

ELECTRICAL DATA:

OVERLOAD PROTECTOR: AUTOMATIC RESET (T.I. 7AM 036)
 LINE LEADS: NO. 18 GA., .03 [.8] THK. 125°C INSUL.
 REVERSING LEADS: NO. 18 GA., .03 [.8] THK. CROSS-LINKED. POLYETHELENE, 125°C INSUL.
 GROUND LEAD: NO. 18 GA., .03 [.8] THK. (GREEN) INSUL.

NOTES:
 1. 2X MOUNTING RING 680491-003 TO BE PACKED WITH MOTOR
 2. THE SYMBOL OF CTQ: ▲ (NO CTQ ON THIS DRAWING)
 3. MEET THE REQUIREMENT OF ROHS AND REACH: SEE EP000014_5.1



REVERSING PLUG (MOTOR TO BE SHIPPED CONNECTED FOR CCWLE ROTATION)

NAMEPLATE DATA:	EXTERNAL CONNECTION DIAGRAM																						
MODEL NO.: F48SF6L5 CUST. P/N: FS1026S HP: 1/4 ROT.: REVERSIBLE RPM: 1075 TYPE: UF FRAME: 48Y VOLTS: 208-230 PH: 1 AMPS: 1.8 HZ: 60 INS.: B AMB.: 60°C DUTY: AIR OVER CODE: - CAP.: 5 MFD/370 V ENCL: SEMI-ENCL. UL LOGO CSA LOGO THERMALLY PROTECTED																							
<table border="1"> <thead> <tr> <th>PERFORMANCE CURVE NO.</th> <th>TORQUE @1075 RPM (25°C)</th> <th>APPROVED SAMPLE</th> <th>FILE #</th> <th>CCN #</th> <th>FILE #</th> <th>CLASS #</th> </tr> </thead> <tbody> <tr> <td>C22785</td> <td>27 6 OZ. FT.</td> <td>EX11133</td> <td>E46412</td> <td>PRGY2</td> <td>LR43341</td> <td>4211-01</td> </tr> </tbody> </table>	PERFORMANCE CURVE NO.	TORQUE @1075 RPM (25°C)	APPROVED SAMPLE	FILE #	CCN #	FILE #	CLASS #	C22785	27 6 OZ. FT.	EX11133	E46412	PRGY2	LR43341	4211-01	<table border="1"> <thead> <tr> <th>UL #</th> <th>CCN #</th> <th>FILE #</th> <th>CLASS #</th> </tr> </thead> <tbody> <tr> <td>E46412</td> <td>PRGY2</td> <td>LR43341</td> <td>4211-01</td> </tr> </tbody> </table>	UL #	CCN #	FILE #	CLASS #	E46412	PRGY2	LR43341	4211-01
PERFORMANCE CURVE NO.	TORQUE @1075 RPM (25°C)	APPROVED SAMPLE	FILE #	CCN #	FILE #	CLASS #																	
C22785	27 6 OZ. FT.	EX11133	E46412	PRGY2	LR43341	4211-01																	
UL #	CCN #	FILE #	CLASS #																				
E46412	PRGY2	LR43341	4211-01																				

LEAD DATA		
COLOR	LENGTH	TERMINAL OR STRIP LENGTH
BLACK/WHITE	3.0/5.0 [76/127]	REVERSING PLUG
BLACK	26.0/28.0 [660/711]	.50 [12.7] SKIN
YELLOW	26.0/28.0 [660/711]	.50 [12.7] SKIN
BROWN/WHITE	26.0/28.0 [660/711]	.25 [6.4] FLAG
BROWN	26.0/28.0 [660/711]	.25 [6.4] FLAG
GREEN (GROUND)	12.0/13.0 [305/330]	#10 EYELET

REGAL-BELOIT CORPORATION (RBC) PROVIDES TECHNICAL ASSISTANCE TO OUR CUSTOMERS IN SEVERAL AREAS. SINCE RBC DOES NOT RECEIVE ALL DATA CONCERNING THE USE AND APPLICATION OF THE MOTOR, THE SUITABILITY OF THE MOTOR FOR THE APPLICATION MUST BE DETERMINED BY THE CUSTOMER.
 DIMENSIONS WITHOUT TOLERANCES ARE FOR REFERENCE ONLY.

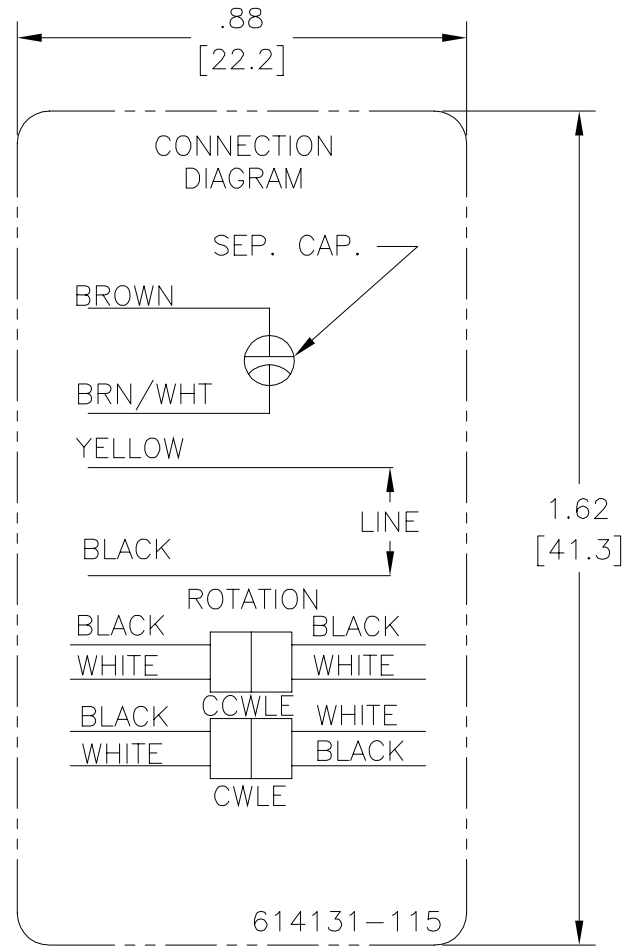
ENCLOSURE	
END FRAME - LE	OPEN
MAIN FRAME - LE	ENCLOSED
END FRAME - OLE	ENCLOSED
MAIN FRAME - OLE	ENCLOSED

CUSTOMER DISTRIBUTION SERVICE

DRAWING REVISION BY: ECO DATE: 03-03-2020 APPROVED BY: KEYUN.GONG DATE: 03-03-2020 ADD SPANISH NAMEPLATE AND NOTES 2&3	DRAWN BY: [Signature] DATE: 11-03-1995 APPROVED BY: D.H.C. DATE: 11-03-1995 PROCESS/FINISH: - THIRD ANGLE PROJECTION	REGAL-BELOIT America, Inc. MODEL-RFHP-48FR OUTLINE SIZE DWG NO: FS1026S SHEET: 1
--	---	---

Uncontrolled Copy

REV	ECO	REV BY	DATE	APPD	DATE
C	0027023	N.HONG	06-25-2012	B.SHEN	06-25-2012

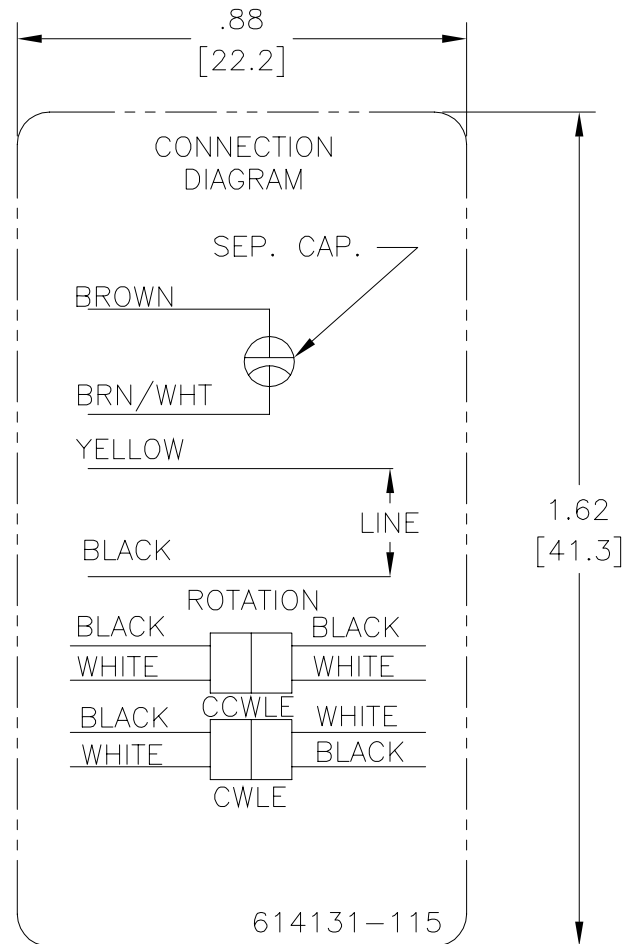


- NOTES:
1. FOR USE WITH 614129 NAMEPLATE BLANK
 2. — — — — — INDICATES DIMENSION LIMITS
 3. DIE TO BE MADE FROM MASTER SUPPLIED BY A. O. SMITH CORPORATION
 4. DIE MUST PRODUCE A LEGIBLE IMPRESSION.

GEOMETRIC CHARACTERISTICS & SYMBOLS ▽ FLATNESS — STRAIGHTNESS ∟ ANGULARITY ⊥ PERPENDICULARITY (SQUARENESS) // PARALLELISM ○ ROUNDNESS (CIRCULARITY) ⊘ CYLINDRICITY △ PROFILE OF ANY SURFACE ▽ PROFILE OF ANY LINE ↗ RUNOUT ⊕ TRUE POSITION ⊙ CONCENTRICITY = SYMMETRY	UNLESS OTHERWISE SPECIFIED DIM. TOLERANCES ARE AS FOLLOWS: INCH X XX XXX XXXX ±.1 ±.02 ±.005 ±.0005 mm ±0.5 ±0.13 ±0.013 ANG. ±.50 DEG REMOVE BURRS & BREAK SHARP EDGES: INCH .003-.015 mm 0.1-0.4 CORNER FILLETS TO: INCH .020 mm 0.5 MACHINE SURFACES: INCH 125 mm 3.2 METRIC DIMS. SHOWN IN [BRACKETS]	DR BY: jrupert	06-24-2010	REGAL-BELOIT CORPORATION	
		APPD: triley	06-24-2010		DESCRIPTION CONN DIAGRAM EXTERNAL
		THIRD ANGLE PROJECTION	EDS DATE 11-11-2011 FORMAT REV H	SIZE A	
		CONFIDENTIAL: THIS DRAWING AND ITS INFORMATION ARE THE EXCLUSIVE AND CONFIDENTIAL PROPERTY OF REGAL-BELOIT CORPORATION AND ARE NOT TO BE DISCLOSED, DUPLICATED, DISTRIBUTED OR OTHERWISE USED WITHOUT THE WRITTEN CONSENT OF REGAL-BELOIT CORPORATION. -ALL RIGHTS RESERVED.			

Uncontrolled Copy

REVISION:	ECO	REVISADO POR:	N.HONG	FECHA:	06-25-2012	APROBADO POR:	B.SHEN	FECHA:	06-25-2012
C	0027023								



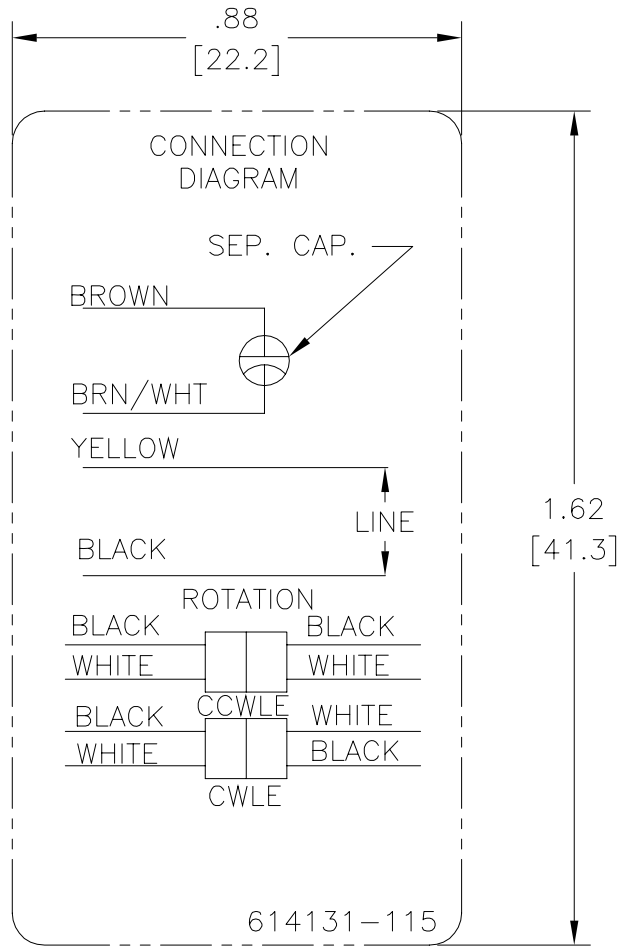
NOTES:

1. FOR USE WITH 614129 NAMEPLATE BLANK
2. — — — — — INDICATES DIMENSION LIMITS
3. DIE TO BE MADE FROM MASTER SUPPLIED BY A. O. SMITH CORPORATION
4. DIE MUST PRODUCE A LEGIBLE IMPRESSION.

CARACTERISTICAS DE GEOMETRIA Y SIMBOLOS Z PLANICIDAD — RECTITUD ∠ ANGULARIDAD ⊥ PERPENDICULARIDAD (A ESCUADRA) // PARALELISMO ○ REDONDEZ (CIRCULARIDAD) ∅ CILINDRICIDAD △ PERFIL DE CUALQUIER SUPERFICIE ∩ PERFIL DE CUALQUIER LINEA ↗ VARIACION ⊕ POSICION REAL ⊙ CONCENTRICIDAD = SIMETRIA	A MENOS QUE SE ESPECIFIQUE DE OTRA MANERA, LAS TOLERANCIAS DE LAS DIMS. SON LAS SIGUIENTES: PULG ±.1 ±.02 ±.005 ±.0005 mm ±0.5 ±0.13 ±0.013 ANG. ±.50 GRADOS ELIMINAR REBABAS Y ORILLAS FILOSAS DEL BORDE. PULG .003-.015 mm 0.1-0.4 FILETEAR ESQUINA: PULG .020 mm 0.5 MAQUINAR SUPERFICIES PULG 125 mm 3.2 DIMS METRICAS MOSTRADAS [PARENTESIS]	DIBUJADO POR: jrupert APROBADO POR: triley TERCER ANGULO DE PROYECCION: FECHA EDS: 11-11-2011 REV. FORMATO: H	06-24-2010 06-24-2010 REGAL REGAL-BELOIT CORPORATION	DESCRIPCION: <h2 style="text-align: center;">CONN DIAGRAM EXTERNAL</h2>
		CONFIDENCIAL: ESTE DIBUJO Y SU INFORMACION SON PROPIEDAD DE USO EXCLUSIVO Y CONFIDENCIAL DE REGAL-BELOIT CORPORATION Y NO DEBERAN SER REVELADOS, DUPLICADOS, DISTRIBUIDOS O USARSE DE OTRA MANERA SIN EL CONSENTIMIENTO ESCRITO DE REGAL-BELOIT CORPORATION.-TODOS LOS DERECHOS RESERVADOS.		TAMANO: A NUMERO DE DIBUJO: 614131-115
		ESCALA: NONE	HOJA: 1	

Uncontrolled Copy

版本	ECO	编制	日期	批准	日期
C	0027023	N.HONG	06-25-2012	B.SHEN	06-25-2012



- NOTES:
1. FOR USE WITH 614129 NAMEPLATE BLANK
 2. — — — — — INDICATES DIMENSION LIMITS
 3. DIE TO BE MADE FROM MASTER SUPPLIED BY A. O. SMITH CORPORATION
 4. DIE MUST PRODUCE A LEGIBLE IMPRESSION.

形位公差 □ 平面度 — 直线度 / 倾斜度 ⊥ 垂直度 // 平行度 ○ 圆度 ⊙ 圆柱度 面轮廓度 线轮廓度 圆跳动 ⊕ 位置度 ⊙ 同轴度 ≡ 对称度	除另有注明 尺寸公差如下: 英寸 X XX XXX XXXX 毫米 ±.1 ±.02 ±.005 ±.0005 毫米 ±0.5 ±0.13 ±0.013 角度 ±.50 度 清理毛刺和尖棱 英寸 .003-.015 毫米 0.1-0.4 内圆角 英寸 .020 毫米 0.5 表面粗糙度 英制 125 米制 3.2 米制尺寸显示在 []	绘图: jrupert 批准: triley 第三角投影	06-24-2010 06-24-2010 图纸格式发布日期 11-11-2011 图纸格式版本 H	REGAL-BELOIT CORPORATION
	名称 CONN DIAGRAM EXTERNAL			
	图幅 A		图号 614131-115	
	比例 NONE		页号 1	

ASME Y14.5M 1994