

# PRODUCT INFORMATION PACKET



Model No: FH1076

Catalog No: FH1076

3/4 HP Condenser Fan Motor, 1075 RPM, 2 Speed, 460 Volts, 48 Frame, Semi Enclosed  
Condenser Fans Motors



Regal and Century are trademarks of Regal Beloit Corporation or one of its affiliated companies.  
©2020 Regal Beloit Corporation, All Rights Reserved. MC017097E

The REGAL logo consists of the word 'REGAL' in a bold, white, sans-serif font, set within a dark grey, trapezoidal shape that tapers to the right. This logo is positioned on a vertical blue gradient bar that runs down the right side of the page, which has a fine, dark grid pattern.



**Nameplate Specifications**

Output HP	<b>3/4 Hp</b>	Output KW	<b>0.56 kW</b>
Frequency	<b>60 Hz</b>	Voltage	<b>460 V</b>
Current	<b>2.2 A</b>	Speed	<b>1075 rpm</b>
Service Factor	<b>1</b>	Phase	<b>1</b>
Duty	<b>Air Over</b>	Insulation Class	<b>B</b>
Frame	<b>48Y</b>	Enclosure	<b>Semi Enclosed</b>
Thermal Protection	<b>Automatic</b>	Ambient Temperature	<b>60 °C</b>
UL	<b>Recognized</b>	CSA	<b>Y</b>
CE	<b>N</b>		

**Technical Specifications**

Electrical Type	<b>Permanent Split Capacitor</b>	Starting Method	<b>Across The Line</b>
Poles	<b>6</b>	Rotation	<b>Reversible</b>
Mounting	<b>Extended Studs</b>	Motor Orientation	<b>Any</b>
Drive End Bearing	<b>Ball</b>	Opp Drive End Bearing	<b>Ball</b>
Frame Material	<b>Rolled Steel</b>	Shaft Type	<b>Double Flat</b>
Overall Length	<b>12.62 in</b>	Frame Length	<b>5.13 in</b>
Shaft Diameter	<b>0.500 in</b>	Shaft Extension	<b>6.4 in</b>
Outline Drawing	<b>FH1076-S01</b>	Connection Drawing	<b>614131-244</b>

This is an uncontrolled document once printed or downloaded and is subject to change without notice. Date Created:22/09/2020

4	3	2	1																																				
<b>GENERAL INFORMATION:</b>  SHAFT RUNOUT: .001[.03] T.I.R. PER INCH LENGTH OF EXTENSION  BEARINGS: BALL  MOUNTING POSITION: HORIZONTAL  <b>ELECTRICAL DATA:</b>  OVERLOAD PROTECTOR: AUTOMATIC RESET (T.I. 7 AM 036)  LEADS: NO. 18 GA., .06[1.5] THK. PVC 105°C INSUL.  REVERSING LEADS: NO. 18 GA., .03[.8] THK. XLP 125°C INSUL.  GROUND LEAD: NO. 18 GA., .03[.8] THK. (GREEN) INSUL.		<table border="1" style="width:100%; border-collapse: collapse;"> <tr> <td>REV</td> <td>ECO</td> <td>REV BY</td> <td>DATE</td> <td>APPD</td> <td>DATE</td> </tr> <tr> <td>B</td> <td>0025548</td> <td>I. ORTIZ</td> <td>04-27-2012</td> <td>D. BALDERRAMA</td> <td>04-27-2012</td> </tr> </table>		REV	ECO	REV BY	DATE	APPD	DATE	B	0025548	I. ORTIZ	04-27-2012	D. BALDERRAMA	04-27-2012																								
REV	ECO	REV BY	DATE	APPD	DATE																																		
B	0025548	I. ORTIZ	04-27-2012	D. BALDERRAMA	04-27-2012																																		
<table border="1" style="width:100%; border-collapse: collapse;"> <tr> <th>NAMEPLATE DATA:</th> <th>EXTERNAL CONNECTION DIAGRAM</th> </tr> <tr> <td>                     MODEL NO.: F48N61A01                      CUST. P/N: FH1076                      HP: 3/4                      ROT.: REVERSIBLE                      RPM: 1075/2 SPD.                      TYPE: UF                      FRAME: 48Y                      VOLTS: 460                      PH: 1                      AMPS: 2.2                      HZ: 60                      INS.: B                      AMB.: 60° C                      DUTY: AIR OVER                      CAP.: 15 MFD/370 V                      ENCL: SEMI-ENCL                      UL LOGO                      CSA LOGO                      THERMALLY PROTECTED                 </td> <td> </td> </tr> </table>		NAMEPLATE DATA:	EXTERNAL CONNECTION DIAGRAM	MODEL NO.: F48N61A01 CUST. P/N: FH1076 HP: 3/4 ROT.: REVERSIBLE RPM: 1075/2 SPD. TYPE: UF FRAME: 48Y VOLTS: 460 PH: 1 AMPS: 2.2 HZ: 60 INS.: B AMB.: 60° C DUTY: AIR OVER CAP.: 15 MFD/370 V ENCL: SEMI-ENCL UL LOGO CSA LOGO THERMALLY PROTECTED																																			
NAMEPLATE DATA:	EXTERNAL CONNECTION DIAGRAM																																						
MODEL NO.: F48N61A01 CUST. P/N: FH1076 HP: 3/4 ROT.: REVERSIBLE RPM: 1075/2 SPD. TYPE: UF FRAME: 48Y VOLTS: 460 PH: 1 AMPS: 2.2 HZ: 60 INS.: B AMB.: 60° C DUTY: AIR OVER CAP.: 15 MFD/370 V ENCL: SEMI-ENCL UL LOGO CSA LOGO THERMALLY PROTECTED																																							
<table border="1" style="width:100%; border-collapse: collapse;"> <tr> <th>PERFORMANCE CURVE NO.</th> <th>TORQUE @ 1075 RPM (25°C)</th> <th>APPROVED SAMPLE</th> <th>UL COMPONENT</th> <th colspan="2">CSA</th> </tr> <tr> <td>C31856</td> <td>67.9 OZ. FT.</td> <td>99AC220A</td> <td>E46412</td> <td>PRGY2</td> <td>LR43341 4211-01</td> </tr> </table>		PERFORMANCE CURVE NO.	TORQUE @ 1075 RPM (25°C)	APPROVED SAMPLE	UL COMPONENT	CSA		C31856	67.9 OZ. FT.	99AC220A	E46412	PRGY2	LR43341 4211-01	<table border="1" style="width:100%; border-collapse: collapse;"> <tr> <th>COLOR</th> <th>LENGTH</th> <th>TERMINAL OR STRIP LENGTH</th> </tr> <tr> <td>GREEN (GROUND)</td> <td>12.0/13.0 [305/330]</td> <td>#10 EYELET</td> </tr> <tr> <td>BLACK/WHITE</td> <td>4.0/6.0 [102/152]</td> <td>REVERSING PLUG</td> </tr> <tr> <td>BROWN</td> <td>26.0/28.0 [660/711]</td> <td>.25[6.4] FLAG</td> </tr> <tr> <td>YELLOW</td> <td>26.0/28.0 [660/711]</td> <td>.60[15.2] SKIN</td> </tr> <tr> <td>BLACK</td> <td>26.0/28.0 [660/711]</td> <td>.60[15.2] SKIN</td> </tr> <tr> <td>ORANGE</td> <td>26.0/28.0 [660/711]</td> <td>.60[15.2] SKIN</td> </tr> <tr> <td>RED</td> <td>26.0/28.0 [660/711]</td> <td>.60[15.2] SKIN</td> </tr> </table>		COLOR	LENGTH	TERMINAL OR STRIP LENGTH	GREEN (GROUND)	12.0/13.0 [305/330]	#10 EYELET	BLACK/WHITE	4.0/6.0 [102/152]	REVERSING PLUG	BROWN	26.0/28.0 [660/711]	.25[6.4] FLAG	YELLOW	26.0/28.0 [660/711]	.60[15.2] SKIN	BLACK	26.0/28.0 [660/711]	.60[15.2] SKIN	ORANGE	26.0/28.0 [660/711]	.60[15.2] SKIN	RED	26.0/28.0 [660/711]	.60[15.2] SKIN
PERFORMANCE CURVE NO.	TORQUE @ 1075 RPM (25°C)	APPROVED SAMPLE	UL COMPONENT	CSA																																			
C31856	67.9 OZ. FT.	99AC220A	E46412	PRGY2	LR43341 4211-01																																		
COLOR	LENGTH	TERMINAL OR STRIP LENGTH																																					
GREEN (GROUND)	12.0/13.0 [305/330]	#10 EYELET																																					
BLACK/WHITE	4.0/6.0 [102/152]	REVERSING PLUG																																					
BROWN	26.0/28.0 [660/711]	.25[6.4] FLAG																																					
YELLOW	26.0/28.0 [660/711]	.60[15.2] SKIN																																					
BLACK	26.0/28.0 [660/711]	.60[15.2] SKIN																																					
ORANGE	26.0/28.0 [660/711]	.60[15.2] SKIN																																					
RED	26.0/28.0 [660/711]	.60[15.2] SKIN																																					
<table border="1" style="width:100%; border-collapse: collapse;"> <tr> <th>GEOMETRIC CHARACTERISTICS &amp; SYMBOLS</th> <th>REGAL-BELOIT CORPORATION (RBC) PROVIDES TECHNICAL ASSISTANCE TO OUR CUSTOMERS IN SEVERAL AREAS. SINCE RBC DOES NOT RECEIVE ALL DATA CONCERNING THE USE AND APPLICATION OF THE MOTOR, THE SUITABILITY OF THE MOTOR FOR THE APPLICATION MUST BE DETERMINED BY THE CUSTOMER.</th> </tr> <tr> <td>                     □ FLATNESS                      - STRAIGHTNESS                      &lt; ANGLARITY                      ⊥ PERPENDICULARITY (SQUARENESS)                      ∥ PARALLELISM                      ○ ROUNDNESS (CIRCULARITY)                      ⌀ CYLINDRICITY                      ~ PROFILE OF ANY SURFACE                      ~ PROFILE OF ANY LINE                      † RUNOUT                      * TRUE POSITION                      ⊙ CONCENTRICITY                      = SYMMETRY                 </td> <td>                     DIMENSIONS WITHOUT TOLERANCES ARE FOR REFERENCE ONLY.                      ASME Y14.5M 1994                 </td> </tr> </table>		GEOMETRIC CHARACTERISTICS & SYMBOLS	REGAL-BELOIT CORPORATION (RBC) PROVIDES TECHNICAL ASSISTANCE TO OUR CUSTOMERS IN SEVERAL AREAS. SINCE RBC DOES NOT RECEIVE ALL DATA CONCERNING THE USE AND APPLICATION OF THE MOTOR, THE SUITABILITY OF THE MOTOR FOR THE APPLICATION MUST BE DETERMINED BY THE CUSTOMER.	□ FLATNESS - STRAIGHTNESS < ANGLARITY ⊥ PERPENDICULARITY (SQUARENESS) ∥ PARALLELISM ○ ROUNDNESS (CIRCULARITY) ⌀ CYLINDRICITY ~ PROFILE OF ANY SURFACE ~ PROFILE OF ANY LINE † RUNOUT * TRUE POSITION ⊙ CONCENTRICITY = SYMMETRY	DIMENSIONS WITHOUT TOLERANCES ARE FOR REFERENCE ONLY. ASME Y14.5M 1994	<table border="1" style="width:100%; border-collapse: collapse;"> <tr> <td>DR BY: A NAJERA</td> <td>05-04-2011</td> </tr> <tr> <td>APPD: J RUPERT</td> <td>05-04-2011</td> </tr> <tr> <td>THRD ANGLE PROJECTION</td> <td>EDS DATE 11-11-2011 FORMAT REV G</td> </tr> </table>		DR BY: A NAJERA	05-04-2011	APPD: J RUPERT	05-04-2011	THRD ANGLE PROJECTION	EDS DATE 11-11-2011 FORMAT REV G																										
GEOMETRIC CHARACTERISTICS & SYMBOLS	REGAL-BELOIT CORPORATION (RBC) PROVIDES TECHNICAL ASSISTANCE TO OUR CUSTOMERS IN SEVERAL AREAS. SINCE RBC DOES NOT RECEIVE ALL DATA CONCERNING THE USE AND APPLICATION OF THE MOTOR, THE SUITABILITY OF THE MOTOR FOR THE APPLICATION MUST BE DETERMINED BY THE CUSTOMER.																																						
□ FLATNESS - STRAIGHTNESS < ANGLARITY ⊥ PERPENDICULARITY (SQUARENESS) ∥ PARALLELISM ○ ROUNDNESS (CIRCULARITY) ⌀ CYLINDRICITY ~ PROFILE OF ANY SURFACE ~ PROFILE OF ANY LINE † RUNOUT * TRUE POSITION ⊙ CONCENTRICITY = SYMMETRY	DIMENSIONS WITHOUT TOLERANCES ARE FOR REFERENCE ONLY. ASME Y14.5M 1994																																						
DR BY: A NAJERA	05-04-2011																																						
APPD: J RUPERT	05-04-2011																																						
THRD ANGLE PROJECTION	EDS DATE 11-11-2011 FORMAT REV G																																						
<table border="1" style="width:100%; border-collapse: collapse;"> <tr> <td>                     MAIN FRAME - OLE ENCLOSED                      END FRAME - OLE ENCLOSED                      MAIN FRAME - LE ENCLOSED                      END FRAME - LE OPEN                 </td> <td>                     CUSTOMER SERVICE                      DISTRIBUTION SERVICE                 </td> </tr> </table>		MAIN FRAME - OLE ENCLOSED END FRAME - OLE ENCLOSED MAIN FRAME - LE ENCLOSED END FRAME - LE OPEN	CUSTOMER SERVICE DISTRIBUTION SERVICE	<table border="1" style="width:100%; border-collapse: collapse;"> <tr> <td colspan="2" style="text-align: center;"> </td> </tr> <tr> <td colspan="2" style="text-align: center;">                 DESCRIPTION  <b>MODEL-RFHP-48FR OUTLINE</b> </td> </tr> <tr> <td>SIZE C</td> <td>DWG NO FH1076</td> </tr> <tr> <td>SCALE NONE</td> <td>SHEET 1</td> </tr> </table>				DESCRIPTION <b>MODEL-RFHP-48FR OUTLINE</b>		SIZE C	DWG NO FH1076	SCALE NONE	SHEET 1																										
MAIN FRAME - OLE ENCLOSED END FRAME - OLE ENCLOSED MAIN FRAME - LE ENCLOSED END FRAME - LE OPEN	CUSTOMER SERVICE DISTRIBUTION SERVICE																																						
DESCRIPTION <b>MODEL-RFHP-48FR OUTLINE</b>																																							
SIZE C	DWG NO FH1076																																						
SCALE NONE	SHEET 1																																						
4	3	2	1																																				

REVISION:	ECO	REVISADO POR:	FECHA:	APROBADO POR:	FECHA:
B	0025548	I. ORTIZ	04-27-2012	D. BALDERRAMA	04-27-2012

INFORMACION GENERAL:

OSCILACION DE FLECHA: .001[.03] L.T.I EXTENSION DE LONGITUD POR PULGADA

BALEROS: BALERO

POSICION DEL MONTAJE: HORIZONTAL

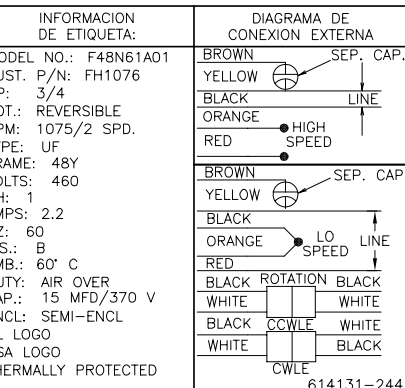
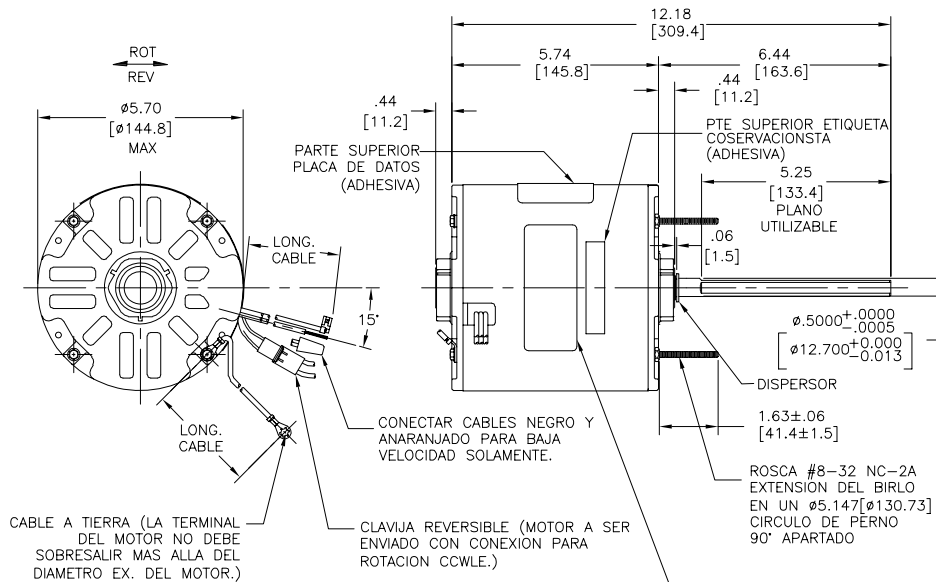
INFORMACION ELECTRICA:

PROTECTOR DE SOBRECARGA: REINICIO AUTOMATICO (T.I. 7AM 036)

CABLES: CALIBRE 18, .06[1.5] DE ESPESOR, LIGADO EN CRUZ, 105°C AISLANTE

CABLES REVERSIBLES: CALIBRE 18, .03[.8] DE ESPESOR, CABLE LIGADO EN CRUZ 125°C AISLANTE.

CABLE DE TIERRA: CALIBRE 18, .03 [.8] ESPESOR (VERDE) AISLANTE



VERDE (TIERRA)	12.0/13.0 [305/330]	OJAL #10
NEGRO/BLANCO	4.0/6.0 [102/152]	CONEXION REVERSIBLE
CAFE	26.0/28.0 [660/711]	.25[6.4] BANDERA
AMARILLO	26.0/28.0 [660/711]	.60[15.2] DESFORRE
NEGRO	26.0/28.0 [660/711]	.60[15.2] DESFORRE
ANARANJADO	26.0/28.0 [660/711]	.60[15.2] DESFORRE
ROJO	26.0/28.0 [660/711]	.60[15.2] DESFORRE
COLOR	LONGITUD	TERMINAL O LONGITUD DE DESFORRE

CARCASA - LOC	CERRADO
TAPA - LOC	CERRADO
CARCASA - LC	CERRADO
TAPA - LC	ABIERTO

TIPO DE MOTOR	CLIENTE	DISTRIBUTION SERVICE
---------------	---------	----------------------

CURVAS DE FUNCIONAMIENTO	TORSION @ 1075 RPM (25°C)	MUESTRA APROBADA	COMPONENTE UL	CSA
C31856	67.9 OZ. FT.	99AC220A	E46412 PRGY2	LR43341 4211-01

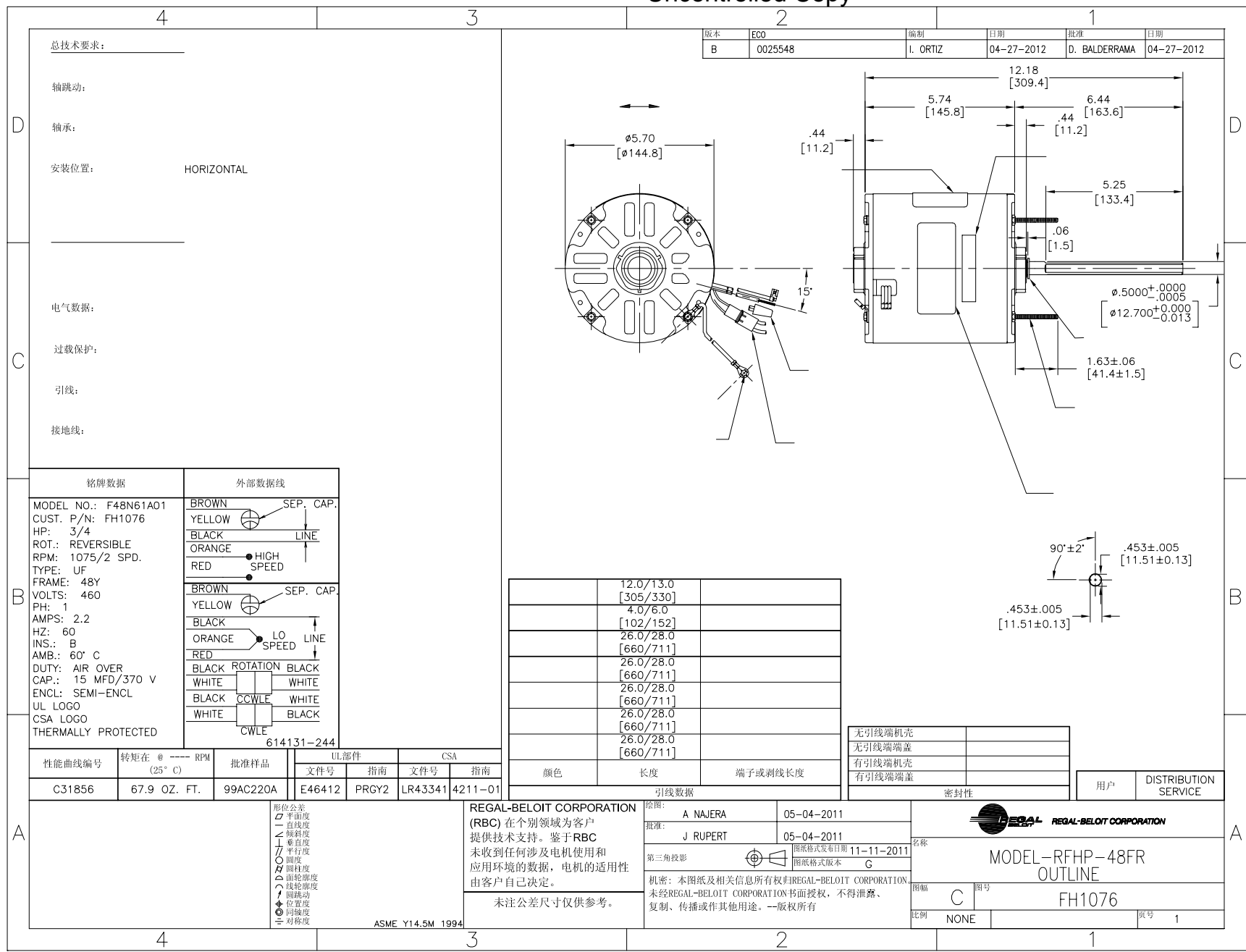
CARACTERISTICAS DE GEOMETRIA Y SIMBOLOS:  
 ▽ PLANICIDAD  
 ⊥ RECTITUD  
 ∠ ANGULARIDAD  
 ⊥ PERPENDICULARIDAD (A ESQUADRA)  
 // PARALELISMO  
 ○ REDONDEZ (CIRCULARIDAD)  
 ⌀ CILINDRICIDAD  
 ⊖ PERFIL DE CUALQUIER SUPERFICIE  
 ⊖ PERFIL DE CUALQUIER LINEA  
 † VARIACION  
 ⊕ POSICION REAL  
 ⊙ CONCENRICIDAD  
 ≡ SIMETRIA

REGAL-BELOIT CORPORATION (RBC) PROVEE ASISTENCIA TECNICA A NUESTROS CLIENTES EN VARIAS AREAS. DESDE QUE RBC NO RECIBE TODOS LOS DATOS EN RELACION AL USO Y A LA APLICACION DEL MOTOR, LA APLICACION ADECUADA DEL MOTOR DEBE SER DETERMINADA POR EL CLIENTE.

DIMENSIONES SIN TOLERANCIA SON DE REFERENCIA SOLAMENTE

DIBUJADO POR:	A NAJERA	05-04-2011
APROBADO POR:	J RUPERT	05-04-2011
TERCER ANGULO DE PROYECCION	FECHA EDS: 11-11-2011	REV. FORMATO: G
CONFIDENCIAL: ESTE DIBUJO Y SU INFORMACION SON PROPIEDAD DE USO EXCLUSIVO Y CONFIDENCIAL DE REGAL-BELOIT CORPORATION. Y NO DEBERAN SER REVELADOS, DUPLICADOS, DISTRIBUIDOS O USARSE DE OTRA MANERA SIN EL CONSENTIMIENTO ESCRITO DE REGAL-BELOIT CORPORATION. -TODOS LOS DERECHOS RESERVADOS.		

DESCRIPCION:	
MODEL-RFHP-48FR OUTLINE	
TAMAÑO:	NUMERO DE DIBUJO:
C	FH1076
ESCALA: NONE	HOJA: 1



版本	ECO	编制	日期	批准	日期
B	0025548	I. ORTIZ	04-27-2012	D. BALDERRAMA	04-27-2012

总技术要求: \_\_\_\_\_

轴跳动: \_\_\_\_\_

轴承: \_\_\_\_\_

安装位置: HORIZONTAL

\_\_\_\_\_

电气数据: \_\_\_\_\_

过载保护: \_\_\_\_\_

引线: \_\_\_\_\_

接地线: \_\_\_\_\_

铭牌数据	外部数据
MODEL NO.: F48N61A01	BROWN SEP. CAP.
CUST. P/N: FH1076	YELLOW LINE
HP: 3/4	BLACK
ROT.: REVERSIBLE	ORANGE HIGH SPEED
RPM: 1075/2 SPD.	RED
TYPE: UF	
FRAME: 48Y	BROWN SEP. CAP.
VOLTS: 460	YELLOW LINE
PH: 1	BLACK
AMPS: 2.2	ORANGE LO SPEED
HZ: 60	RED
INS.: B	BLACK ROTATION BLACK
AMB.: 60° C	WHITE WHITE
DUTY: AIR OVER	BLACK CCWLE WHITE
CAP.: 15 MFD/370 V	WHITE CWLE BLACK
ENCL: SEMI-ENCL	
UL LOGO	
CSA LOGO	
THERMALLY PROTECTED	

颜色	长度	端子或剥线长度
	12.0/13.0	
	[305/330]	
	4.0/6.0	
	[102/152]	
	26.0/28.0	
	[660/711]	
	26.0/28.0	
	[660/711]	
	26.0/28.0	
	[660/711]	
	26.0/28.0	
	[660/711]	

无引线端机壳	
无引线端盖	
有引线端机壳	
有引线端盖	

性能曲线编号	转矩在 @ (25° C) RPM	批准样品	UL部件		CSA	
			文件号	指南	文件号	指南
C31856	67.9 OZ. FT.	99AC220A	E46412	PRGY2	LR43341	4211-01

形位公差	ASME Y14.5M 1994
平面度	
直线度	
倾斜度	
垂直度	
平行度	
圆度	
圆跳动	
位置度	
同轴度	
对称度	

REGAL-BELOIT CORPORATION (RBC) 在个别领域为客户提供技术支持。鉴于RBC未收到任何涉及电机使用和应用环境的数据，电机的适用性由客户自己决定。

未注公差尺寸仅供参考。

绘图:	A NAJERA	05-04-2011
批准:	J RUPERT	05-04-2011
第三角投影		图纸格式发布日期 11-11-2011
		图纸格式版本 C
机密: 本图纸及相关信息所有权归REGAL-BELOIT CORPORATION。未经REGAL-BELOIT CORPORATION书面授权, 不得泄露、复制或传播作其他用途。--版权所有		

名称		MODEL-RFHP-48FR OUTLINE	
图幅	C	图号	FH1076
比例	NONE	页号	1