

PRODUCT INFORMATION PACKET



Model No: FH1024

Catalog No: FH1024

1/4 HP Condenser Fan Motor, 1625 RPM, 2 Speed, 460 Volts, 48 Frame, Semi Enclosed
Condenser Fans Motors



Regal and Century are trademarks of Regal Beloit Corporation or one of its affiliated companies.
©2020 Regal Beloit Corporation, All Rights Reserved. MC017097E

REGAL



Nameplate Specifications

Output HP	1/4 Hp	Output KW	0.19 kW
Frequency	60 Hz	Voltage	460 V
Current	.9 A	Speed	1625 rpm
Service Factor	1	Phase	1
Duty	Air Over	Insulation Class	B
Frame	48Y	Enclosure	Semi Enclosed
Thermal Protection	Automatic	Ambient Temperature	60 °C
UL	Recognized	CSA	Y
CE	N		

Technical Specifications

Electrical Type	Permanent Split Capacitor	Starting Method	Across The Line
Poles	4	Rotation	Reversible
Mounting	Extended Studs	Motor Orientation	Any
Drive End Bearing	Ball	Opp Drive End Bearing	Ball
Frame Material	Rolled Steel	Shaft Type	Flat
Overall Length	11.74 in	Frame Length	4.25 in
Shaft Diameter	0.500 in	Shaft Extension	6.4 in
Outline Drawing	FH1024-S01	Connection Drawing	614131-104

This is an uncontrolled document once printed or downloaded and is subject to change without notice. Date Created:22/09/2020

REV	ECO	REV BY	DATE	APPD	DATE
F	0024317	Y.LIU	03-12-2012	B.SHEN	03-12-2012

GENERAL INFORMATION:

SHAFT RUNOUT: .001[.03] T.I.R. PER INCH LENGTH OF EXTENSION.

BEARINGS: BALL

MOUNTING POSITION: HORIZONTAL

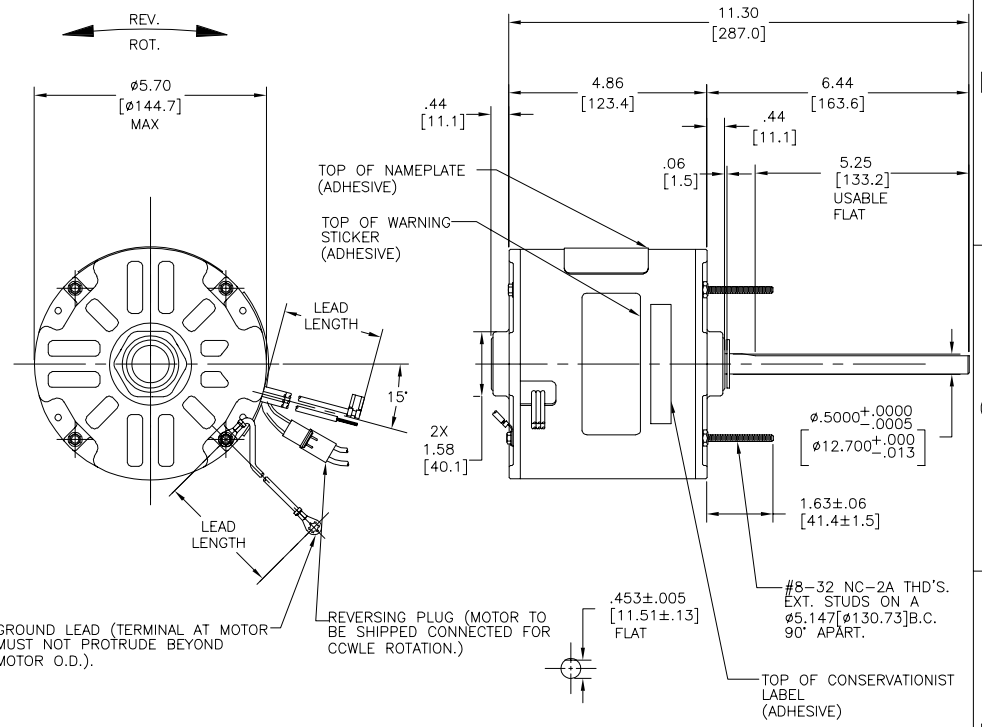
ELECTRICAL DATA:

OVERLOAD PROTECTOR: AUTOMATIC RESET (SENSATA 7AM 036)

LEADS: NO. 18 GA., .06[1.5] THK. XLP 105°C INSUL.

REVERSING LEADS: NO. 18 GA., .03[.8] THK. 125°C INSUL.

GROUND LEAD: NO. 18 GA., .03[.8] THK., (GREEN) INSUL.



NAMEPLATE DATA:	EXTERNAL CONNECTION DIAGRAM
MODEL NO.: F48SJ4V2 CUST. P/N: FH1024 HP: 1/4 ROT.: REVERSIBLE RPM: 1625/2 SPD TYPE: UF FRAME: 48Y VOLTS: 460 PH: 1 AMPS: 0.9(1.2 MAX) HZ: 60 INS.: B AMB.: 60° C DUTY: AIR OVER CAP.: 5MFD/370V ENCL: SEMI-ENCLOSED UL LOGO CSA LOGO THERMALLY PROTECTED	SEP. CAP. BROWN YELLOW BLACK RED HI LO LINE ROTATION BLACK WHITE BLACK WHITE CCWLE CWLE

GREEN(GRD)	12.0/13.0 [305/330]	#10 EYELET
BLACK/WHITE	4.0/6.0 [102/152]	REVERSING PLUG
BROWN	26.0/28.0 [660/711]	.25[6.4] FLAG
YELLOW	26.0/28.0 [660/711]	.60[15] SKIN
BLACK	26.0/28.0 [660/711]	.60[15] SKIN
RED	26.0/28.0 [660/711]	.60[15] SKIN
COLOR	LENGTH	TERMINAL OR STRIP LENGTH

MAIN FRAME - OLE	ENCLOSED
END FRAME - OLE	ENCLOSED
MAIN FRAME - LE	ENCLOSED
END FRAME - LE	OPEN

PERFORMANCE CURVE NO.	TORQUE @ 1625 RPM (25°C)	APPROVED SAMPLE	UL COMPONENT	CSA
C23151	19.8 OZ. FT.	89AE921	E46412 PRGY2	LR43341 4211-01

GEOMETRIC CHARACTERISTICS & SYMBOLS

- FLATNESS
- STRAIGHTNESS
- ANGULARITY
- PERPENDICULARITY (SQUARENESS)
- PARALLELISM
- ROUNDNESS (CIRCULARITY)
- CYLINDRICITY
- PROFILE OF ANY SURFACE
- PROFILE OF ANY LINE
- RUNOUT
- TRUE POSITION
- CONCENTRICITY
- SYMMETRY

ASME Y14.5M 1994

REGAL-BELOIT CORPORATION (RBC) PROVIDES TECHNICAL ASSISTANCE TO OUR CUSTOMERS IN SEVERAL AREAS. SINCE RBC DOES NOT RECEIVE ALL DATA CONCERNING THE USE AND APPLICATION OF THE MOTOR, THE SUITABILITY OF THE MOTOR FOR THE APPLICATION MUST BE DETERMINED BY THE CUSTOMER.

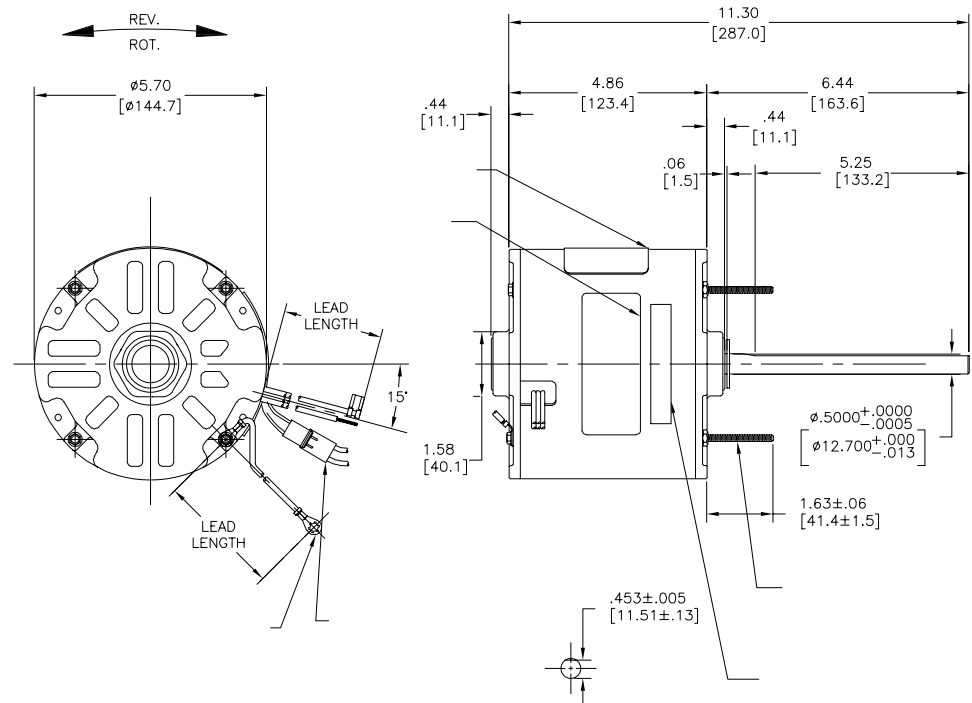
DIMENSIONS WITHOUT TOLERANCES ARE FOR REFERENCE ONLY.

DR BY:	Y.LIU	03-12-2012
APPD:	B.SHEN	03-12-2012
THIRD ANGLE PROJECTION	EDS DATE 11-11-2011 FORMAT REV G	

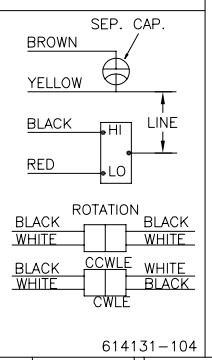
CONFIDENTIAL: THIS DRAWING AND ITS INFORMATION ARE THE EXCLUSIVE AND CONFIDENTIAL PROPERTY OF REGAL-BELOIT CORPORATION AND ARE NOT TO BE DISCLOSED, DUPLICATED, DISTRIBUTED OR OTHERWISE USED WITHOUT THE WRITTEN CONSENT OF REGAL-BELOIT CORPORATION. -ALL RIGHTS RESERVED.

DESCRIPTION	
MODEL-RFHP-48FR OUTLINE	
SIZE	DWG NO
C	FH1024
SCALE	SHEET
NONE	1

REVISION:	ECO	REVISADO POR:	FECHA:	APROBADO POR:	FECHA:
F	0024317	Y.LIU	03-12-2012	B.SHEN	03-12-2012



MODEL NO.: F48SJ4V2
 CUST. P/N: FH1024
 HP: 1/4
 ROT.: REVERSIBLE
 RPM: 1625/2 SPD
 TYPE: UF
 FRAME: 48Y
 VOLTS: 460
 PH: 1
 AMPS: 0.9(1.2 MAX)
 HZ: 60
 INS.: B
 AMB.: 60° C
 DUTY: AIR OVER
 CAP.: 5MFD/370V
 ENCL: SEMI-ENCLOSED
 UL LOGO
 CSA LOGO
 THERMALLY PROTECTED



614131-104

	12.0/13.0	
	[305/330]	
	4.0/6.0	
	[102/152]	
	26.0/28.0	
	[660/711]	
	26.0/28.0	
	[660/711]	
	26.0/28.0	
	[660/711]	
	26.0/28.0	
	[660/711]	

C23151	19.8 OZ. FT.	89AE921	E46412	PRGY2	LR43341	4211-01
--------	--------------	---------	--------	-------	---------	---------

DISTRIBUTION SERVICE

CARACTERISTICAS DE GEOMETRIA Y SIMBOLOS
 ▽ PLANICIDAD
 — RECTITUD
 ∠ ANGULARIDAD
 ⊥ PERPENDICULARIDAD (A ESCUADRA)
 ∥ PARALELISMO
 ○ REDONDEZ (CIRCULARIDAD)
 / CILINDRICIDAD
 ⊖ PERFIL DE CUALQUIER SUPERFICIE
 ⊖ PERFIL DE CUALQUIER LINEA
 † VARIACION
 ⊕ POSICION REAL
 ⊙ CONCENTRICIDAD
 = SIMETRIA ASME Y14.5M 1994

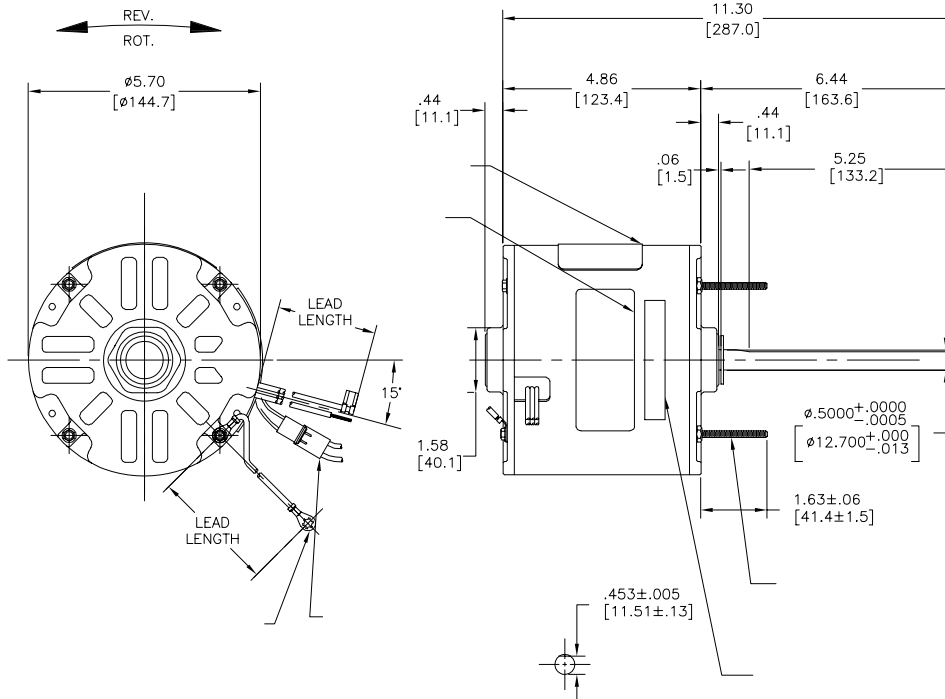
REGAL-BELOIT CORPORATION (RBC)
 PROVEE ASISTENCIA TECNICA A
 NUESTROS CLIENTES EN VARIAS AREAS.
 DESDE QUE RBC NO RECIBE TODOS
 LOS DATOS EN RELACION AL USO Y A
 LA APLICACION DEL MOTOR, LA
 APLICACION ADECUADA DEL MOTOR
 DEBE SER DETERMINADA POR EL
 CLIENTE.

DIMENSIONES SIN TOLERANCIA SON
 DE REFERENCIA SOLAMENTE

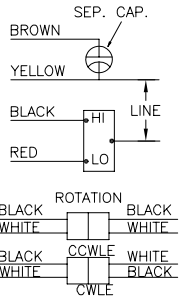
DIBUJADO POR:
 Y.LIU
 03-12-2012
 APROBADO POR:
 B.SHEN
 03-12-2012
 TERCER ANGULO DE PROYECCION
 CONFIDENCIAL: ESTE DIBUJO Y SU INFORMACION SON PROPIEDAD DE USO EXCLUSIVO Y CONFIDENCIAL DE REGAL-BELOIT CORPORATION. Y NO DEBERAN SER REVELADOS, DUPLICADOS, DISTRIBUIDOS O USARSE DE OTRA MANERA SIN EL CONSENTIMIENTO ESCRITO DE REGAL-BELOIT CORPORATION. -TODOS LOS DERECHOS RESERVADOS.

REGAL-BELOIT CORPORATION
 DESCRIPCION:
 MODEL-RFHP-48FR
 OUTLINE
 TAMAÑO: C
 NUMERO DE DIBUJO:
 FH1024
 ESCALA: NONE
 HOJA: 1

版本	ECO	编制	日期	批准	日期
F	0024317	Y.LIU	03-12-2012	B.SHEN	03-12-2012



MODEL NO.: F48SJ4V2
 CUST. P/N: FH1024
 HP: 1/4
 ROT.: REVERSIBLE
 RPM: 1625/2 SPD
 TYPE: UF
 FRAME: 48Y
 VOLTS: 460
 PH: 1
 AMPS: 0.9(1.2 MAX)
 HZ: 60
 INS.: B
 AMB.: 60° C
 DUTY: AIR OVER
 CAP.: 5MFD/370V
 ENCL: SEMI-ENCLOSED
 UL LOGO
 CSA LOGO
 THERMALLY PROTECTED



614131-104

	12.0/13.0	
	[305/330]	
	4.0/6.0	
	[102/152]	
	26.0/28.0	
	[660/711]	
	26.0/28.0	
	[660/711]	
	26.0/28.0	
	[660/711]	
	26.0/28.0	
	[660/711]	

C23151	19.8 OZ. FT.	89AE921	E46412	PRGY2	LR43341	4211-01
--------	--------------	---------	--------	-------	---------	---------

- 形位公差
- 平面度
- 直线度
- ∠ 倾斜度
- ⊥ 垂直度
- ∥ 平行度
- 圆度
- ⊙ 圆跳动
- ⊖ 圆轮廓度
- ⊖ 线轮廓度
- ⊖ 圆跳动
- ⊖ 圆轮廓度
- ⊖ 同轴度
- ⊖ 对称度

ASME Y14.5M 1994

REGAL-BELOIT CORPORATION (RBC) 在个别领域为客户提供技术支持。鉴于RBC未收到任何涉及电机使用和应用环境的数据，电机的适用性由客户自己决定。

未注公差尺寸仅供参考。

绘图:	Y.LIU	03-12-2012
批准:	B.SHEN	03-12-2012
第三角投影		图纸格式发布日期 11-11-2011 图纸格式版本 G
机密: 本图及相关信息所有权归REGAL-BELOIT CORPORATION。未经REGAL-BELOIT CORPORATION书面授权, 不得泄露、复制、传播或作其他用途。--版权所有		

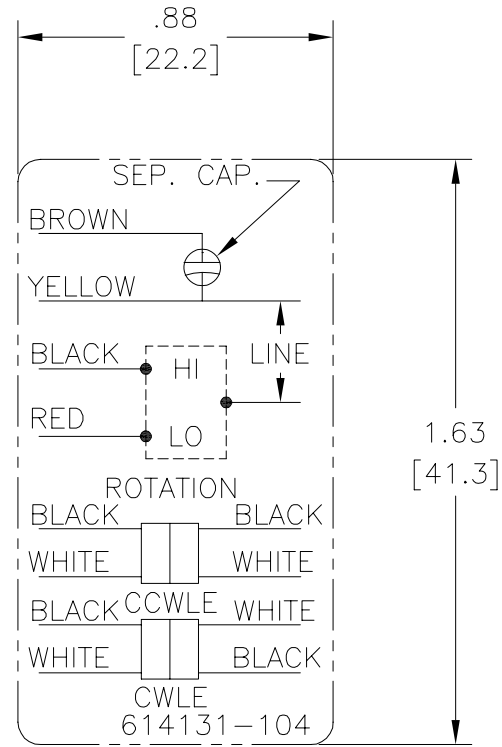


MODEL-RFHP-48FR
 OUTLINE

名称	MODEL-RFHP-48FR OUTLINE	
图幅	C	图号 FH1024
比例	NONE	页号 1

Uncontrolled Copy

REV	ECO	REV BY	DATE	APPD	DATE
A	ECO-0018859	jrupert	02-21-011	triley	02-21-2011



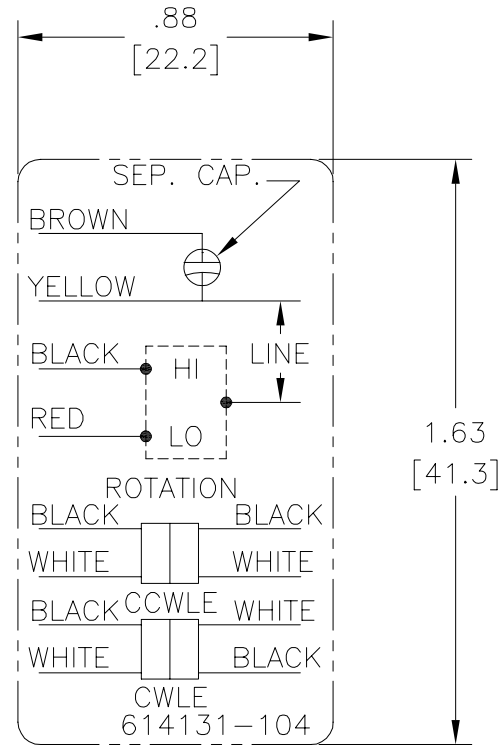
NOTES:

1. FOR USE WITH 614129 NAMEPLATE BLANK
2. — — — — — INDICATES DIMENSION LIMITS
3. DIE TO BE MADE FROM MASTER SUPPLIED BY A. O. SMITH CORPORATION
4. DIE MUST PRODUCE A LEGIBLE IMPRESSION.

GEOMETRIC CHARACTERISTICS & SYMBOLS ▽ FLATNESS — STRAIGHTNESS ∠ ANGULARITY ⊥ PERPENDICULARITY (SQUARENESS) ∥ PARALLELISM ○ ROUNDNESS (CIRCULARITY) ⌀ CYLINDRICITY △ PROFILE OF ANY SURFACE ▽ PROFILE OF ANY LINE ↗ RUNOUT ⊕ TRUE POSITION ⊙ CONCENTRICITY = SYMMETRY	UNLESS OTHERWISE SPECIFIED DIM. TOLERANCES ARE AS FOLLOWS: INCH X XX XXX XXXX ±.1 ±.02 ±.005 ±.0005 mm ±0.5 ±0.13 ±0.013 ANG. ±.50 DEG REMOVE BURRS & BREAK SHARP EDGES: INCH .003-.015 mm 0.1-0.4 CORNER FILLETS TO: INCH .020 mm 0.5 MACHINE SURFACES: INCH 125 mm 3.2 METRIC DIMS. SHOWN IN [BRACKETS]	DR BY: jrupert APPD: triley THIRD ANGLE PROJECTION	02-21-2011 02-21-2011 EDS DATE 02-22-2008 FORMAT REV F	ELECTRICAL PRODUCTS COMPANY <small>A DIVISION OF A. O. SMITH CORPORATION</small>	DESCRIPTION <h2 style="text-align: center;">CONN DIAGRAM EXTERNAL</h2>
				SIZE A	DWG NO 614131-104
				SCALE NONE	SHEET 1

Uncontrolled Copy

REVISION:	ECO	REVISADO POR:	FECHA:	APROBADO POR:	FECHA:
A	ECO-0018859	jrupert	02-21-011	triley	02-21-2011

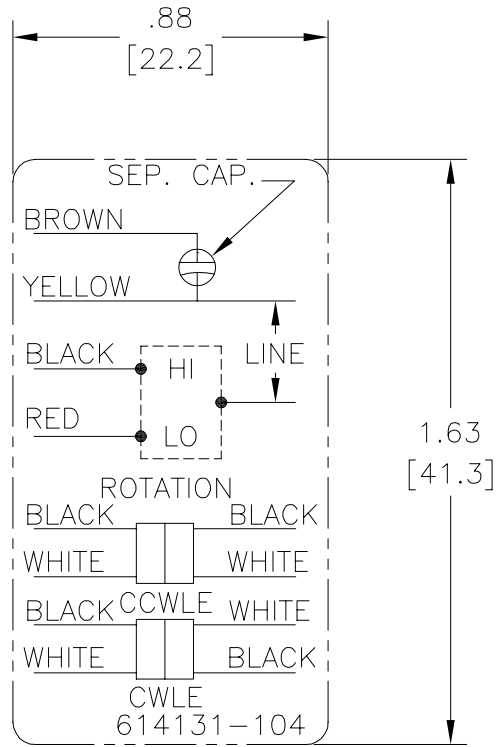


NOTES:

1. FOR USE WITH 614129 NAMEPLATE BLANK
2. — — — — — INDICATES DIMENSION LIMITS
3. DIE TO BE MADE FROM MASTER SUPPLIED BY A. O. SMITH CORPORATION
4. DIE MUST PRODUCE A LEGIBLE IMPRESSION.

CARACTERISTICAS DE GEOMETRIA Y SIMBOLOS Z PLANICIDAD — RECTITUD < ANGULARIDAD ⊥ PERPENDICULARIDAD (A ESCUADRA) // PARALELISMO ○ REDONDEZ (CIRCULARIDAD) ∅ CILINDRICIDAD △ PERFIL DE CUALQUIER SUPERFICIE ∩ PERFIL DE CUALQUIER LINEA / VARIACION ⊕ POSICION REAL ⊙ CONCENTRICIDAD = SIMETRIA	A MENOS QUE SE ESPECIFIQUE DE OTRA MANERA, LAS TOLERANCIAS DE LAS DIMS. SON LAS SIGUIENTES: x xx xxx xxxx PULG ±.1 ±.02 ±.005 ±.0005 mm ±0.5 ±0.13 ±0.013 ANG. ±.50 GRADOS ELIMINAR REBABAS Y ORILLAS FILOSAS DEL BORDE. PULG .003-.015 mm 0.1-0.4 FILETEAR ESQUINA: PULG .020 mm 0.5 MAQUINAR SUPERFICIES PULG 125 mm 3.2 DIMS METRICAS MOSTRADAS [PARENTESIS]	DIBUJADO POR: jrupert APROBADO POR: triley TERCER ANGULO DE PROYECCION 	02-21-2011 02-21-2011 FECHA EDS: 02-22-2008 REV. FORMATO: F	ELECTRICAL PRODUCTS COMPANY <small>A DIVISION OF A. O. SMITH CORPORATION</small>	DESCRIPCION: CONN DIAGRAM EXTERNAL TAMANO: A NUMERO DE DIBUJO: 614131-104 ESCALA: NONE HOJA: 1
	CONFIDENCIAL: ESTE DIBUJO Y SU INFORMACION SON PROPIEDAD DE USO EXCLUSIVO Y CONFIDENCIAL DE A.O.SMITH CORP. Y NO DEBERAN SER REVELADOS, DUPLICADOS, DISTRIBUIDOS O USARSE DE OTRA MANERA SIN EL CONSENTIMIENTO ESCRITO DE A.O. SMITH CORP. -TODOS LOS DERECHOS RESERVADOS.ASME Y14.5M 1994				

??	ECO	??	??	??	??
A	ECO-0018859	jrupert	02-21-011	triley	02-21-2011



NOTES:

- FOR USE WITH 614129 NAMEPLATE BLANK
- — — — — INDICATES DIMENSION LIMITS
- DIE TO BE MADE FROM MASTER SUPPLIED BY A. O. SMITH CORPORATION
- DIE MUST PRODUCE A LEGIBLE IMPRESSION.

□??? —??? △??? ⊥??? //??? ○?? ⊙?? △?? (???) /?? ⊕?? ⊖?? =??	?????? ?????? X XX XXX XXXX ?? ±.1 ±.02 ±.005 ±.0005 ?? ±0.5 ±0.13 ±0.013 ?? ±.50 ? ?????? ?? .003-.015 ?? 0.1-0.4 ??? ?? .020 ?? 0.5 ?????? ?? 125 ?? 3.2 ???????[]	??: jrupert 02-21-2011 ??: triley 02-21-2011 ??????	02-22-2008 F ??: ??????????A.O.SMITH????? ??A.O.SMITH????????????????? ??????—?????	AC Smith innovation has a name. ELECTRICAL PRODUCTS COMPANY A DIVISION OF A. O. SMITH CORPORATION
	CONN DIAGRAM EXTERNAL			?? A ?? 614131-104
	ASME Y14.5M 1994			?? NONE ?? 1