

PRODUCT INFORMATION PACKET



Model No: FEH1056S
Catalog No: FEH1056S
1/2 HP OEM Replacement Motor, 1050 RPM, 460 Volts, 48 Frame, TEAO
HVAC/R OEM Replacement Motors



Regal and Century are trademarks of Regal Beloit Corporation or one of its affiliated companies.
©2020 Regal Beloit Corporation, All Rights Reserved. MC017097E





Nameplate Specifications

Output HP	1/2 Hp	Output KW	0.37 kW
Frequency	60 Hz	Voltage	460 V
Current	.90 A	Speed	1050 rpm
Service Factor	1	Phase	1
Duty	Air Over	Insulation Class	B
Frame	48Y	Enclosure	Totally Enclosed
Thermal Protection	Automatic	Ambient Temperature	60 °C
UL	Recognized	CSA	Y
CE	N		

Technical Specifications

Electrical Type	Permanent Split Capacitor	Starting Method	Across The Line
Poles	6	Rotation	Reversible
Mounting	Extended Studs	Motor Orientation	Any
Drive End Bearing	Ball	Opp Drive End Bearing	Ball
Frame Material	Rolled Steel	Shaft Type	Double Flat
Overall Length	9.24 in	Frame Length	5.00 in
Shaft Diameter	0.500 in	Shaft Extension	3.3 in
Outline Drawing	F48SQ6V64A1-S01	Connection Drawing	614131-150

This is an uncontrolled document once printed or downloaded and is subject to change without notice. Date Created:06/11/2020

GENERAL INFORMATION:

SHAFT RUNOUT: .001/1.00 [.03/25.4] T.I.R. PER LENGTH OF EXTENSION

BEARINGS: BALL

MOUNTING POSITION: ALL ANGLE

ELECTRICAL DATA:

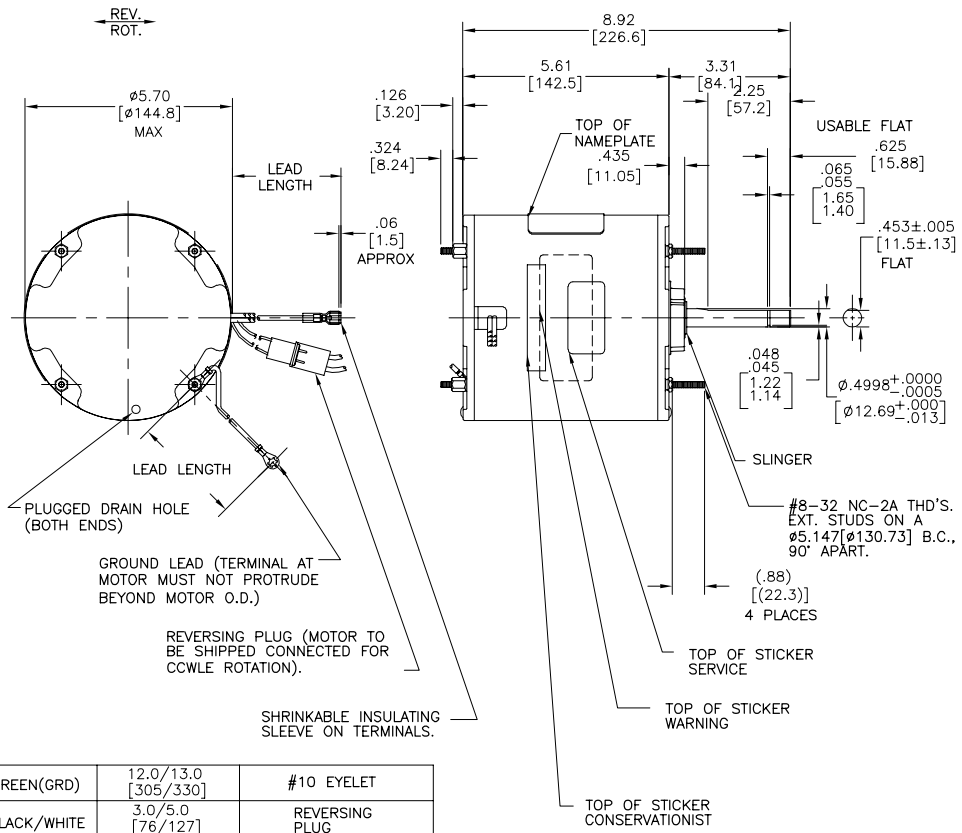
OVERLOAD PROTECTOR: AUTOMATIC RESET (T.I. 7AM 036)

LEADS: NO. 16 GA., .06[1.5] THK., PVC 105°C INSUL. (BLACK AND YELLOW LEADS)
NO. 18 GA., .06[1.5] THK., PVC 105°C INSUL. (BROWN LEAD)

REVERSING LEADS: NO. 18 GA., .03[.8] THK., CROSS-LINKED POLYETHYLENE, 125°C INSUL.

GROUND LEAD: NO. 16 GA., .03[.8] THK., (GREEN) INSUL.

REV	ECO	REV BY	DATE	APPD	DATE
B	0025548	I. ORTIZ	04-27-2012	D. BALDERRAMA	04-27-2012



GROUND LEAD (TERMINAL AT MOTOR MUST NOT PROTRUDE BEYOND MOTOR O.D.)

REVERSING PLUG (MOTOR TO BE SHIPPED CONNECTED FOR CCWLE ROTATION).

SHRINKABLE INSULATING SLEEVE ON TERMINALS.

NOTE:
- LEADS TO BE ON HORIZONTAL q ±5 AS SHOWN.

GREEN(GRD)	12.0/13.0 [305/330]	#10 EYELET
BLACK/WHITE	3.0/5.0 [76/127]	REVERSING PLUG
BROWN	26.0/28.0 [660/711]	.25 FEMALE SPADE
YELLOW	26.0/28.0 [660/711]	.25 FEMALE SPADE
BLACK	26.0/28.0 [660/711]	.25 FEMALE SPADE
COLOR	LENGTH	TERMINAL OR STRIP LENGTH

MAIN FRAME - OLE	ENCLOSED
END FRAME - OLE	ENCLOSED WITH DRAIN HOLE
MAIN FRAME - LE	ENCLOSED
END FRAME - LE	ENCLOSED WITH DRAIN HOLE

CUSTOMER	DISTRIBUTION SERVICES
----------	-----------------------

NAMEPLATE DATA:	EXTERNAL CONNECTION DIAGRAM
MODEL: F48SQ6V64A1 CUST. P/N: FEH1056S HP: 1/2 ROT: REVERSIBLE RPM: 1050 TYPE: UF FRAME: 48Y VOLTS: 460 PH: 1 AMPS: .90 (1.15 MAX) HZ: 60 INS: B AMB: 60°C DUTY: AIR OVER CODE: - CAP.: 10 MFD/370V ENCL: ENCLOSED UL LOGO CSA LOGO THERMALLY PROTECTED	CONNECTION DIAGRAM SEP. CAP. BROWN YELLOW BLACK ROTATION BLACK WHITE BLACK WHITE CWLE 614131-150

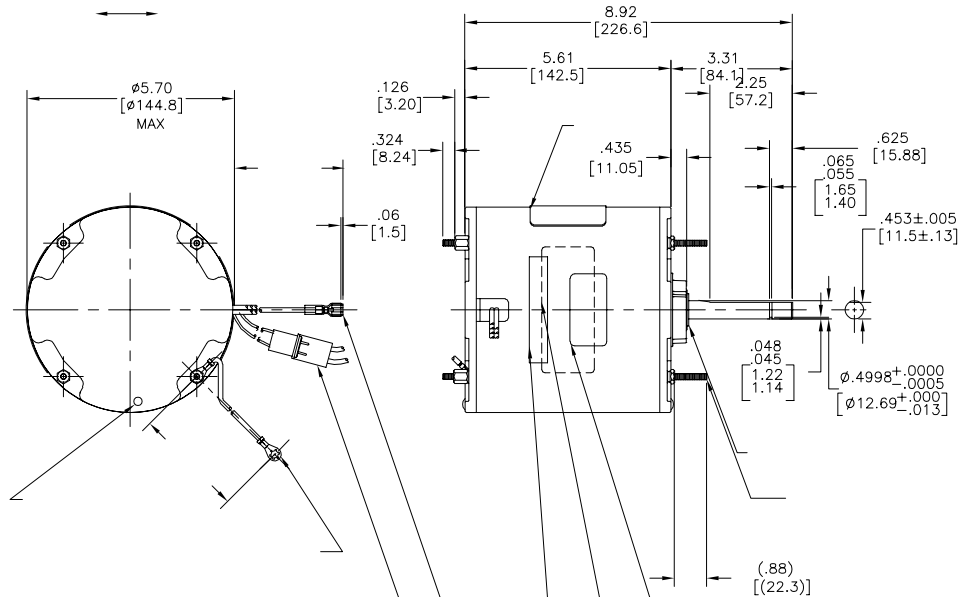
PERFORMANCE CURVE NO.	TORQUE @1050 RPM (25°C)	APPROVED SAMPLE	UL COMPONENT	CSA
C23714	31.0 OZ. FT.	EX-11709	E46412 PRGY2	LR43341 4211-01

GEOMETRIC CHARACTERISTICS & SYMBOLS	REGAL-BELOIT CORPORATION (RBC) PROVIDES TECHNICAL ASSISTANCE TO OUR CUSTOMERS IN SEVERAL AREAS. SINCE RBC DOES NOT RECEIVE ALL DATA CONCERNING THE USE AND APPLICATION OF THE MOTOR, THE SUITABILITY OF THE MOTOR FOR THE APPLICATION MUST BE DETERMINED BY THE CUSTOMER.
□ FLATNESS - STRAIGHTNESS < ANGLARITY ⊥ PERPENDICULARITY (SQUARENESS) // PARALLELISM ○ ROUNDNESS (CIRCULARITY) ∅ CYLINDRICITY ~ PROFILE OF ANY SURFACE ~ PROFILE OF ANY LINE † RUNOUT * TRUE POSITION ⊙ CONCENTRICITY = SYMMETRY	DIMENSIONS WITHOUT TOLERANCES ARE FOR REFERENCE ONLY.

DR BY: TH	04-20-2011
APPD: BS	04-20-2011
THIRD ANGLE PROJECTION	EDS DATE 11-11-2011 FORMAT REV G

DESCRIPTION	
MODEL-RFHP-48FR OUTLINE	
SIZE C	DWG NO F48SQ6V64A1
SCALE NONE	SHEET 1

REVISION: ECO	REVISADO POR: I. ORTIZ	FECHA: 04-27-2012	APROBADO POR: D. BALDERRAMA	FECHA: 04-27-2012
B	0025548			



MODEL: F48SQ6V64A1	CONNECTION DIAGRAM
CUST. P/N: FEH1056S	
HP: 1/2	SEP. CAP.
ROT: REVERSIBLE	BROWN
RPM: 1050	YELLOW
TYPE: UF	LINE
FRAME: 48Y	BLACK
VOLTS: 460	
PH: 1	
AMPS: .90 (1.15 MAX)	ROTATION
HZ: 60	BLACK
INS: B	WHITE
AMB: 60°C	COWLE
DUTY: AIR OVER	WHITE
CODE: -	BLACK
CAP.: 10 MFD/370V	WHITE
ENCL: ENCLOSED	BLACK
UL LOGO	CWLE
CSA LOGO	
THERMALLY PROTECTED	

12.0/13.0	[305/330]
3.0/5.0	[76/127]
26.0/28.0	[660/711]
26.0/28.0	[660/711]
26.0/28.0	[660/711]
26.0/28.0	[660/711]

C23714	31.0 OZ. FT.	EX-11709	E46412	PRGY2	LR43341	4211-01
--------	--------------	----------	--------	-------	---------	---------

CARACTERISTICAS DE GEOMETRIA Y SIMBOLOS
 ▽ PLANICIDAD
 — RECTITUD
 ∠ ANGULARIDAD
 ⊥ PERPENDICULARIDAD (A ESCUADRA)
 // PARALELISMO
 ○ REDONDEZ (CIRCULARIDAD)
 ∅ CILINDRICIDAD
 ⊖ PERFIL DE CUALQUIER SUPERFICIE
 ⊖ PERFIL DE CUALQUIER LINEA
 † VARIACION
 ⊕ POSICION REAL
 ⊙ CONCENRICIDAD
 = SIMETRIA

REGAL-BELOIT CORPORATION (RBC) PROVEE ASISTENCIA TECNICA A NUESTROS CLIENTES EN VARIAS AREAS. DESDE QUE RBC NO RECIBE TODOS LOS DATOS EN RELACION AL USO Y A LA APLICACION DEL MOTOR, LA APLICACION ADECUADA DEL MOTOR DEBE SER DETERMINADA POR EL CLIENTE.

DIMENSIONES SIN TOLERANCIA SON DE REFERENCIA SOLAMENTE

DIBUJADO POR: TH 04-20-2011
 APROBADO POR: BS 04-20-2011
 TERCER ANGULO DE PROYECCION
 CONFIDENCIAL: ESTE DIBUJO Y SU INFORMACION SON PROPIEDAD DE USO EXCLUSIVO Y CONFIDENCIAL DE REGAL-BELOIT CORPORATION. Y NO DEBERAN SER REVELADOS, DUPLICADOS, DISTRIBUIDOS O USARSE DE OTRA MANERA SIN EL CONSENTIMIENTO ESCRITO DE REGAL-BELOIT CORPORATION. -TODOS LOS DERECHOS RESERVADOS.

REGAL-BELOIT CORPORATION
 DESCRIPCION: MODEL-RFHP-48FR OUTLINE
 TAMAÑO: C NUMERO DE DIBUJO: F48SQ6V64A1
 ESCALA: NONE HOJA: 1

版本	ECO	编制	日期	批准	日期
B	0025548	I. ORTIZ	04-27-2012	D. BALDERRAMA	04-27-2012

总要求:

轴跳动: .001/1.00 [.03/25.4] (外伸轴)

轴承: 球轴承

安装位置: 全方位

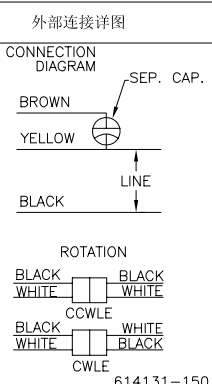
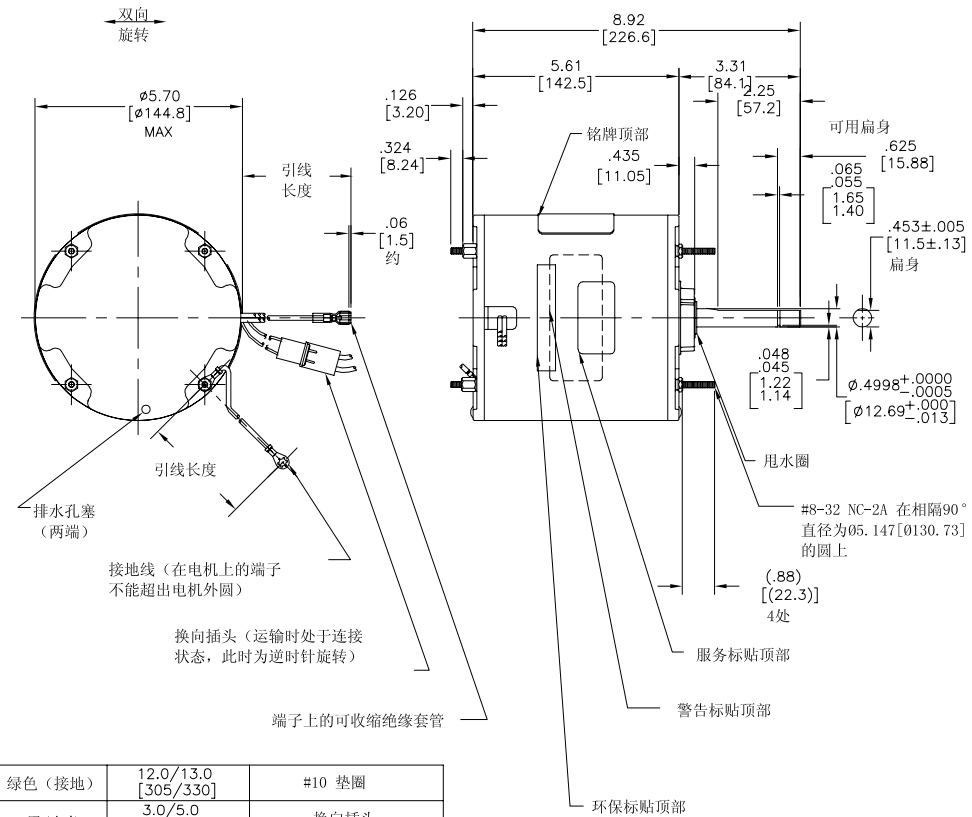
电气数据:

过载保护: 自动复位 (7AM036)

引线: 16 GA., .06 [1.5] 厚. PVC 105° C 绝缘 (黑色和黄色引线)
18 GA., .06 [1.5] 厚. PVC 105° C 绝缘 (棕色引线)

换向引线: 18 GA., .03 [.8] 厚. 交叉连接 聚乙烯 125° C 绝缘

接地线: 16 GA., .03 [.8] 厚. (绿色) 绝缘



绿色 (接地)	12.0/13.0 [305/330]	#10 垫圈
黑/白色	3.0/5.0 [76/127]	换向插头
棕色	26.0/28.0 [660/711]	.25 [6.4] 母铲形插
黄色	26.0/28.0 [660/711]	.25 [6.4] 母铲形插
黑色	26.0/28.0 [660/711]	.25 [6.4] 母铲形插
颜色	长度	端子或剥线长度

技术要求:
- 引线在水平方向上±5° 如图所示

非引线端机壳	封闭
非引线端端盖	封闭 (有排水孔)
引线端机壳	封闭
引线端端盖	封闭 (有排水孔)

开启方式

用户	分销
----	----

铭牌数据	外部连接详图			
MODEL: F48SQ6V64A1 CUST. P/N: FEH1056S HP: 1/2 ROT: REVERSIBLE RPM: 1050 TYPE: UF FRAME: 48Y VOLTS: 460 PH: 1 AMPS: .90 (1.15 MAX) HZ: 60 INS: B AMB: 60°C DUTY: AIR OVER CODE: - CAP.: 10 MFD/370V ENCL: ENCLOSED UL LOGO CSA LOGO THERMALLY PROTECTED	CONNECTION DIAGRAM SEP. CAP. BROWN YELLOW BLACK LINE ROTATION BLACK WHITE BLACK WHITE WHITE COWLE BLACK WHITE WHITE BLACK CWLE			
性能曲线编号	转矩在1050RPM (25° C)	批准样品	UL部件	CSA
C23714	31.0 OZ. FT.	EX-11709	E46412 PRG2	LR43341 4211-01

形位公差	ASME Y14.5M 1994
□ 平面度	
— 直线度	
∠ 倾斜度	
⊥ 垂直度	
∥ 平行度	
○ 圆度	
⊙ 圆跳动	
⊘ 面轮廓度	
⊘ 线轮廓度	
↻ 圆跳动	
↻ 位置度	
↻ 同轴度	
↻ 对称度	

REGAL-BELOIT CORPORATION (RBC) 在个别领域为客户提供技术支持。鉴于RBC未收到任何涉及电机使用和应用环境的数据, 电机的适用性由客户自己决定。

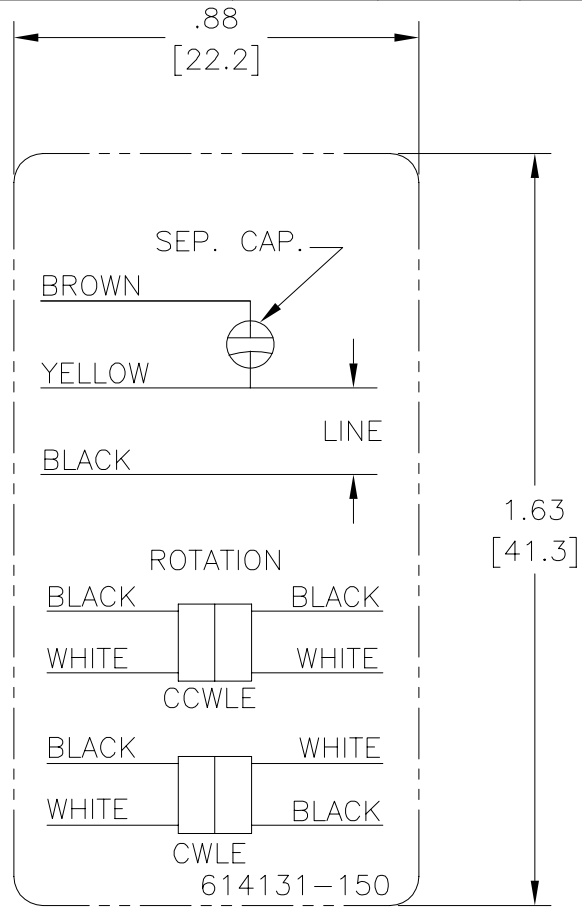
未注公差尺寸仅供参考。

除图:	TH	04-20-2011
批准:	BS	04-20-2011
第三角投影	⊕	图版格式发布日期 11-11-2011 图版格式版本 C
机密: 本图版及相关信息所有权归REGAL-BELOIT CORPORATION。未经REGAL-BELOIT CORPORATION书面授权, 不得泄露、复制、传播或作其他用途。--版权所有		

名称	MODEL-RFHP-48FR OUTLINE
图号	F48SQ6V64A1
图幅	C
比例	NONE
版号	1

Uncontrolled Copy

REV	ECO	REV BY	DATE	APPD	DATE
B	ECO-0026863	jrupert	08-09-2012	jrupert	08-09-2012



NOTES:

1. FOR USE WITH 614129 NAMEPLATE BLANK
2. — — — — — INDICATES DIMENSION LIMITS
3. DIE TO BE MADE FROM MASTER SUPPLIED BY REGAL BELOIT CORPORATION
4. DIE MUST PRODUCE A LEGIBLE IMPRESSION.

GEOMETRIC CHARACTERISTICS & SYMBOLS ▽ FLATNESS — STRAIGHTNESS ⊥ ANGULARITY ⊥ PERPENDICULARITY (SQUARENESS) // PARALLELISM ○ ROUNDNESS (CIRCULARITY) ⊘ CYLINDRICITY △ PROFILE OF ANY SURFACE ▽ PROFILE OF ANY LINE ⌀ RUNOUT ⊕ TRUE POSITION ⊙ CONCENTRICITY = SYMMETRY	UNLESS OTHERWISE SPECIFIED DIM. TOLERANCES ARE AS FOLLOWS: INCH X XX XXX XXXX ±.1 ±.02 ±.005 ±.0005 mm ±0.5 ±0.13 ±0.013 ANG. ±.50 DEG REMOVE BURRS & BREAK SHARP EDGES: INCH .003-.015 mm 0.1-0.4 CORNER FILLETS TO: INCH .020 mm 0.5 MACHINE SURFACES: INCH 125 mm 3.2 METRIC DIMS. SHOWN IN [BRACKETS]	DR BY: jrupert	08-09-2012	REGAL-BELOIT CORPORATION	
		APPD: jrupert	08-09-2012		DESCRIPTION CONN DIAGRAM-NAMEPLATE
		THIRD ANGLE PROJECTION	EDS DATE 11-11-2011 FORMAT REV H	SIZE A	
		CONFIDENTIAL: THIS DRAWING AND ITS INFORMATION ARE THE EXCLUSIVE AND CONFIDENTIAL PROPERTY OF REGAL-BELOIT CORPORATION AND ARE NOT TO BE DISCLOSED, DUPLICATED, DISTRIBUTED OR OTHERWISE USED WITHOUT THE WRITTEN CONSENT OF REGAL-BELOIT CORPORATION. -ALL RIGHTS RESERVED.			