

# PRODUCT INFORMATION PACKET



Model No: FE6003F

Catalog No: FE6003F

1/2-1/5 HP Condenser Fan Motor, 825 RPM, 2 Speed, 208-230 Volts, 48 Frame, TEAO  
Condenser Fans Motors



Regal and Century are trademarks of Regal Beloit Corporation or one of its affiliated companies.  
©2020 Regal Beloit Corporation, All Rights Reserved. MC017097E

The REGAL logo is a grey rectangular box with the word 'REGAL' in white, bold, uppercase letters. The box is tilted slightly to the right. The background of the page features a blue and black halftone pattern on the right side.

REGAL



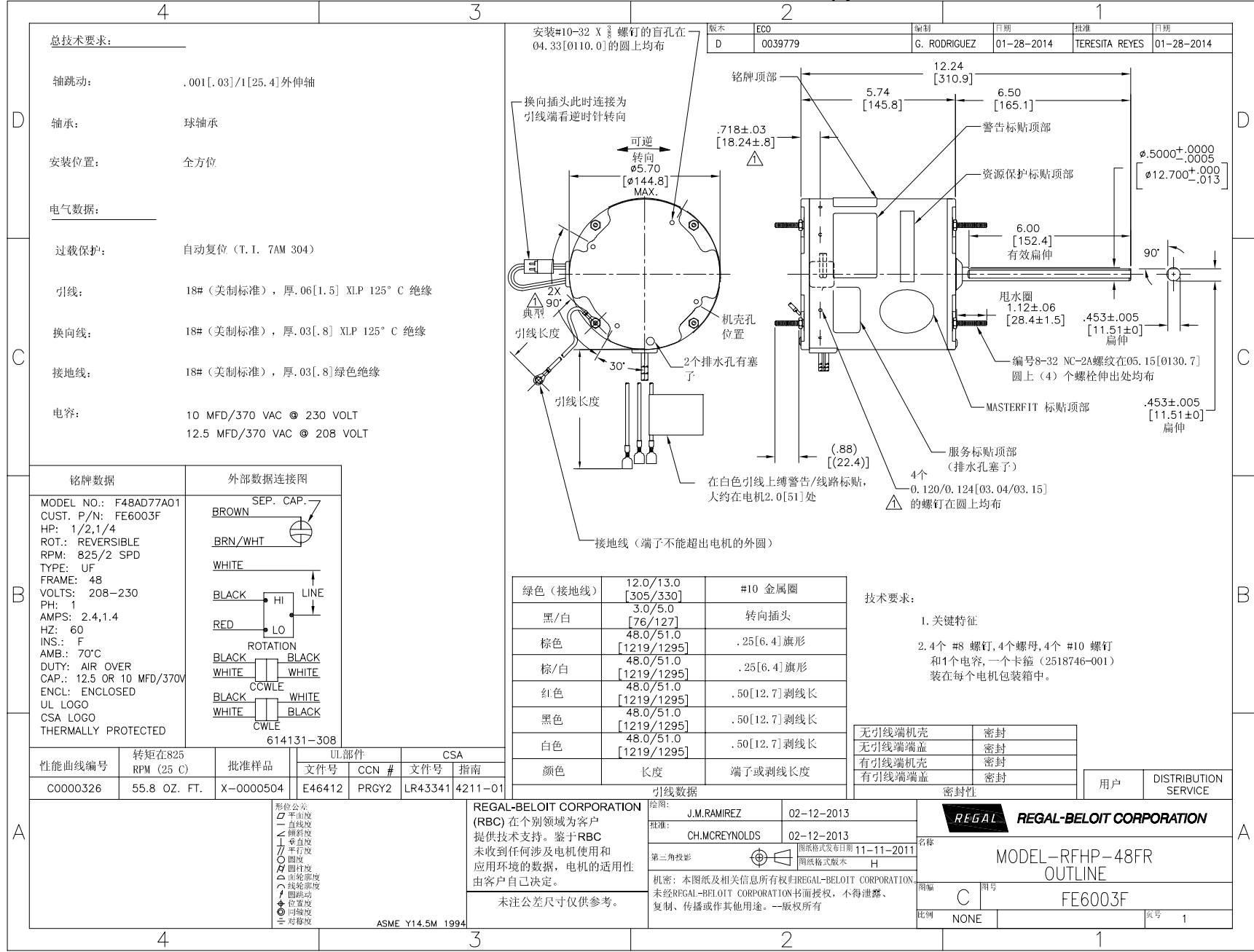
**Nameplate Specifications**

Output HP	1/2, 1/4 Hp	Output KW	0.37 kW
Frequency	60 Hz	Voltage	208-230 V
Current	2.4,1.4 A	Speed	825 rpm
Service Factor	1	Phase	1
Duty	Air Over	Insulation Class	F
Frame	48	Enclosure	Totally Enclosed
Thermal Protection	Automatic	Ambient Temperature	70 °C
UL	Recognized	CSA	Y
CE	N		

**Technical Specifications**

Electrical Type	Permanent Split Capacitor	Starting Method	Across The Line
Poles	8	Rotation	Reversible
Mounting	Extended Studs	Motor Orientation	Any
Drive End Bearing	Ball	Opp Drive End Bearing	Ball
Frame Material	Rolled Steel	Shaft Type	Double Flat
Overall Length	13.12 in	Frame Length	5.13 in
Shaft Diameter	0.500 in	Shaft Extension	6.5 in
Outline Drawing	FE6003F-S01	Connection Drawing	614131-308

This is an uncontrolled document once printed or downloaded and is subject to change without notice. Date Created:06/11/2020



总技术要求:

轴跳动: .001[.03]/1[25.4]外伸轴

轴承: 球轴承

安装位置: 全方位

电气数据:

过载保护: 自动复位 (T. I. 7AM 304)

引线: 18# (美制标准), 厚.06[1.5] XLP 125° C 绝缘

换向线: 18# (美制标准), 厚.03[.8] XLP 125° C 绝缘

接地线: 18# (美制标准), 厚.03[.8] 绿色绝缘

电容: 10 MFD/370 VAC @ 230 VOLT  
12.5 MFD/370 VAC @ 208 VOLT

铭牌数据	外部数据连接图
MODEL NO.: F48AD77A01 CUST. P/N: FE6003F HP: 1/2, 1/4 ROT.: REVERSIBLE RPM: 825/2 SPD TYPE: UF FRAME: 48 VOLTS: 208-230 PH: 1 AMPS: 2.4, 1.4 HZ: 60 INS.: F AMB.: 70°C DUTY: AIR OVER CAP.: 12.5 OR 10 MFD/370V ENCL: ENCLOSED UL LOGO CSA LOGO THERMALLY PROTECTED	SEP. CAP. BROWN BRN/WHT WHITE BLACK HI RED LO ROTATION BLACK WHITE WHITE BLACK BLACK CCWLE WHITE CWLE 614131-308

颜色	长度	端子或剥线长度
绿色 (接地线)	12.0/13.0 [305/330]	#10 金属圈
黑/白	3.0/5.0 [76/127]	转向插头
棕色	48.0/51.0 [1219/1295]	.25[6.4] 旗形
棕/白	48.0/51.0 [1219/1295]	.25[6.4] 旗形
红色	48.0/51.0 [1219/1295]	.50[12.7] 剥线长
黑色	48.0/51.0 [1219/1295]	.50[12.7] 剥线长
白色	48.0/51.0 [1219/1295]	.50[12.7] 剥线长

技术要求:

1. 关键特征

2. 4个 #8 螺钉, 4个螺母, 4个 #10 螺钉和1个电容, 一个卡箍 (2518746-001) 装在每个电机包装箱中。

密封性	用户	DISTRIBUTION SERVICE
无引线端机壳 密封		
无引线端端盖 密封		
有引线端机壳 密封		
有引线端端盖 密封		

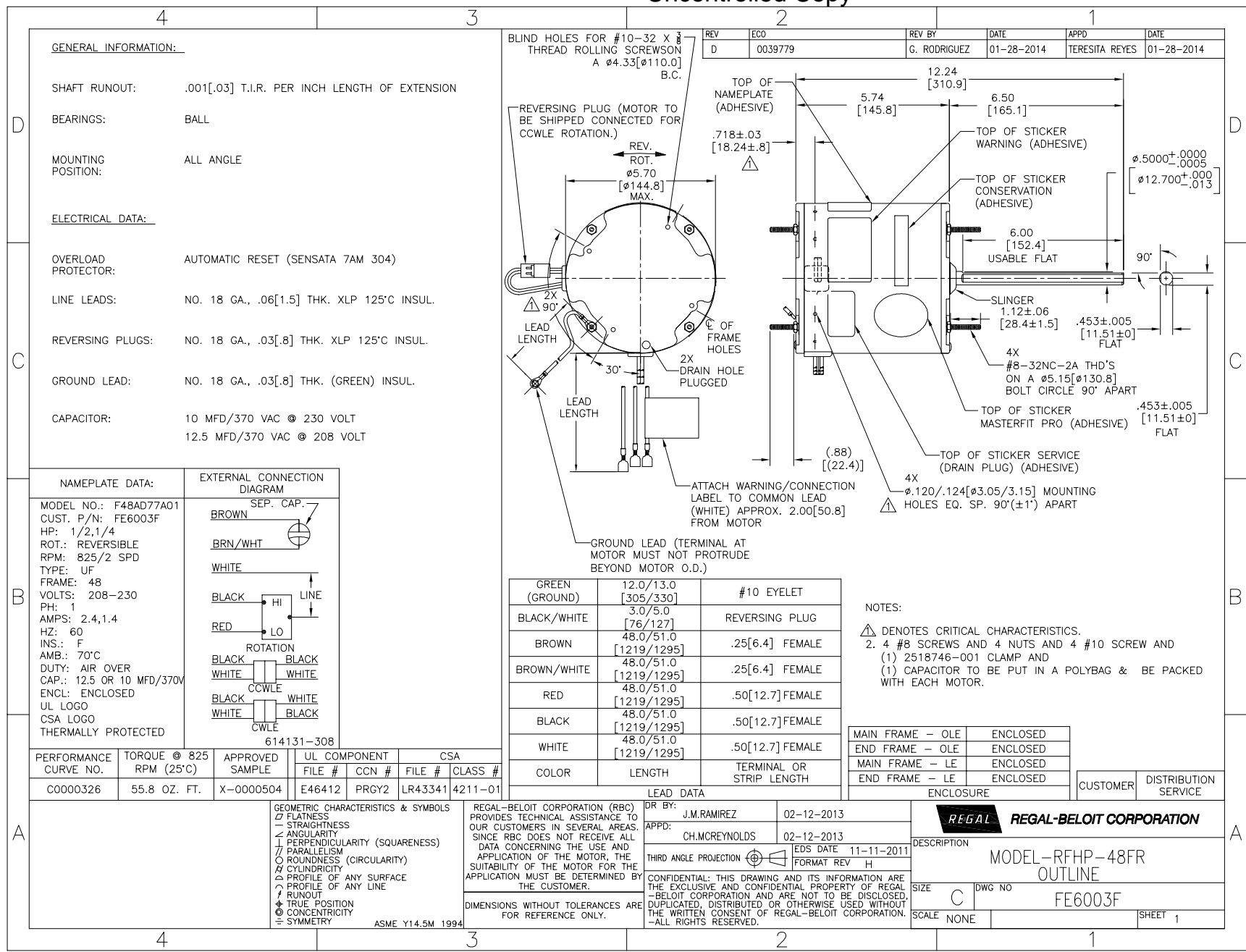
文件号	CCN #	文件号	指南
E46412	PRGY2	LR43341	4211-01

REGAL-BELOIT CORPORATION (RBC) 在个别领域为客户提供技术支持。鉴于 RBC 未收到任何涉及电机使用和应用环境的数据, 电机的适用性由客户自己决定。

未注公差尺寸仅供参考。

日期	姓名	图号
J.M. RAMIREZ 02-12-2013	CH. MCREYNOLDS 02-12-2013	MODEL-RFHP-48FR OUTLINE
11-11-2011	H	FE6003F

比例 NONE 页号 1



**GENERAL INFORMATION:**

SHAFT RUNOUT: .001[.03] T.I.R. PER INCH LENGTH OF EXTENSION

BEARINGS: BALL

MOUNTING POSITION: ALL ANGLE

**ELECTRICAL DATA:**

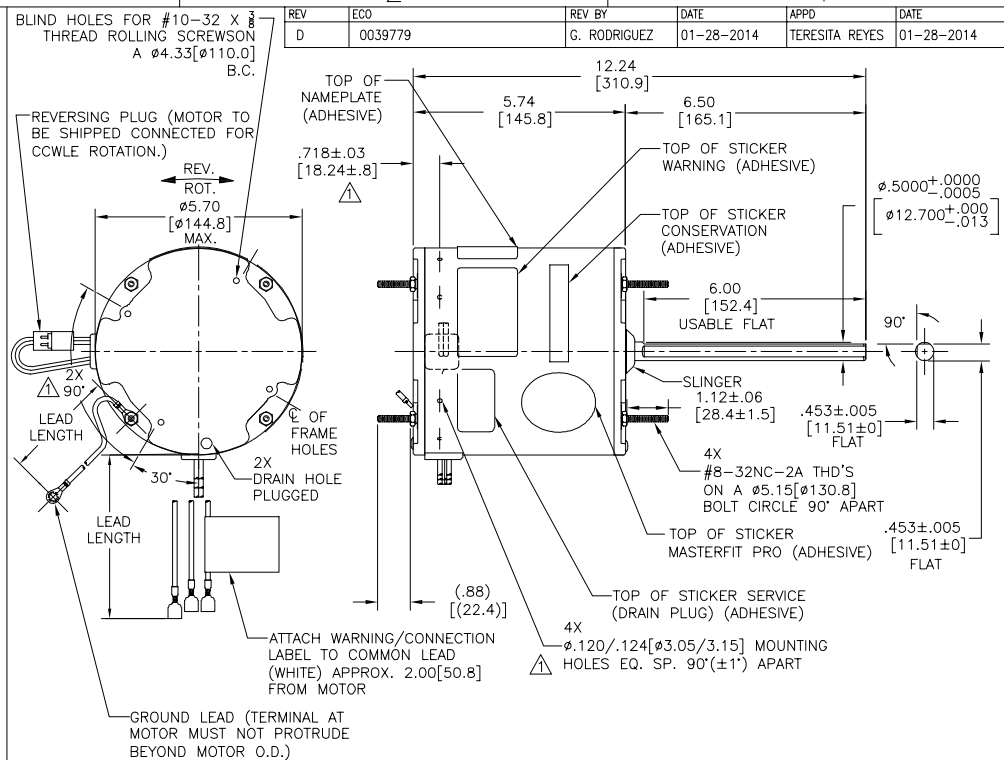
OVERLOAD PROTECTOR: AUTOMATIC RESET (SENSATA 7AM 304)

LINE LEADS: NO. 18 GA., .06[1.5] THK. XLP 125°C INSUL.

REVERSING PLUGS: NO. 18 GA., .03[.8] THK. XLP 125°C INSUL.

GROUND LEAD: NO. 18 GA., .03[.8] THK. (GREEN) INSUL.

CAPACITOR: 10 MFD/370 VAC @ 230 VOLT  
12.5 MFD/370 VAC @ 208 VOLT



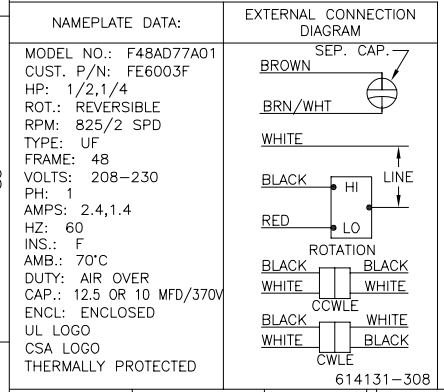
GREEN (GROUND)	12.0/13.0 [305/330]	#10 EYELET
BLACK/WHITE	3.0/5.0 [76/127]	REVERSING PLUG
BROWN	48.0/51.0 [1219/1295]	.25[6.4] FEMALE
BROWN/WHITE	48.0/51.0 [1219/1295]	.25[6.4] FEMALE
RED	48.0/51.0 [1219/1295]	.50[12.7] FEMALE
BLACK	48.0/51.0 [1219/1295]	.50[12.7] FEMALE
WHITE	48.0/51.0 [1219/1295]	.50[12.7] FEMALE
COLOR	LENGTH	TERMINAL OR STRIP LENGTH

NOTES:

△ DENOTES CRITICAL CHARACTERISTICS.

2. 4 #8 SCREWS AND 4 NUTS AND 4 #10 SCREW AND (1) 2518746-001 CLAMP AND (1) CAPACITOR TO BE PUT IN A POLYBAG & BE PACKED WITH EACH MOTOR.

MAIN FRAME - OLE	ENCLOSED
END FRAME - OLE	ENCLOSED
MAIN FRAME - LE	ENCLOSED
END FRAME - LE	ENCLOSED



PERFORMANCE CURVE NO.	TORQUE @ 825 RPM (25°C)	APPROVED SAMPLE	UL COMPONENT	CSA
C0000326	55.8 OZ. FT.	X-0000504	E46412 PRGY2	LR43341 4211-01

**GEOMETRIC CHARACTERISTICS & SYMBOLS**

□ FLATNESS

— STRAIGHTNESS

∠ ANGULARITY

⊥ PERPENDICULARITY (SQUARENESS)

∥ PARALLELISM

○ ROUNDNESS (CIRCULARITY)

∅ CYLINDRICITY

⌒ PROFILE OF ANY SURFACE

⌒ PROFILE OF ANY LINE

⊕ RUNOUT

⊕ TRUE POSITION

⊙ CONCENTRICITY

≡ SYMMETRY

ASME Y14.5M 1994

REGAL-BELOIT CORPORATION (RBC) PROVIDES TECHNICAL ASSISTANCE TO OUR CUSTOMERS IN SEVERAL AREAS. SINCE RBC DOES NOT RECEIVE ALL DATA CONCERNING THE USE AND APPLICATION OF THE MOTOR, THE SUITABILITY OF THE MOTOR FOR THE APPLICATION MUST BE DETERMINED BY THE CUSTOMER.

DIMENSIONS WITHOUT TOLERANCES ARE FOR REFERENCE ONLY.

DR BY: J.M.RAMIREZ 02-12-2013

APPD: CH.MCREYNOLDS 02-12-2013

THRD ANGLE PROJECTION

EDS DATE 11-11-2011  
FORMAT REV H

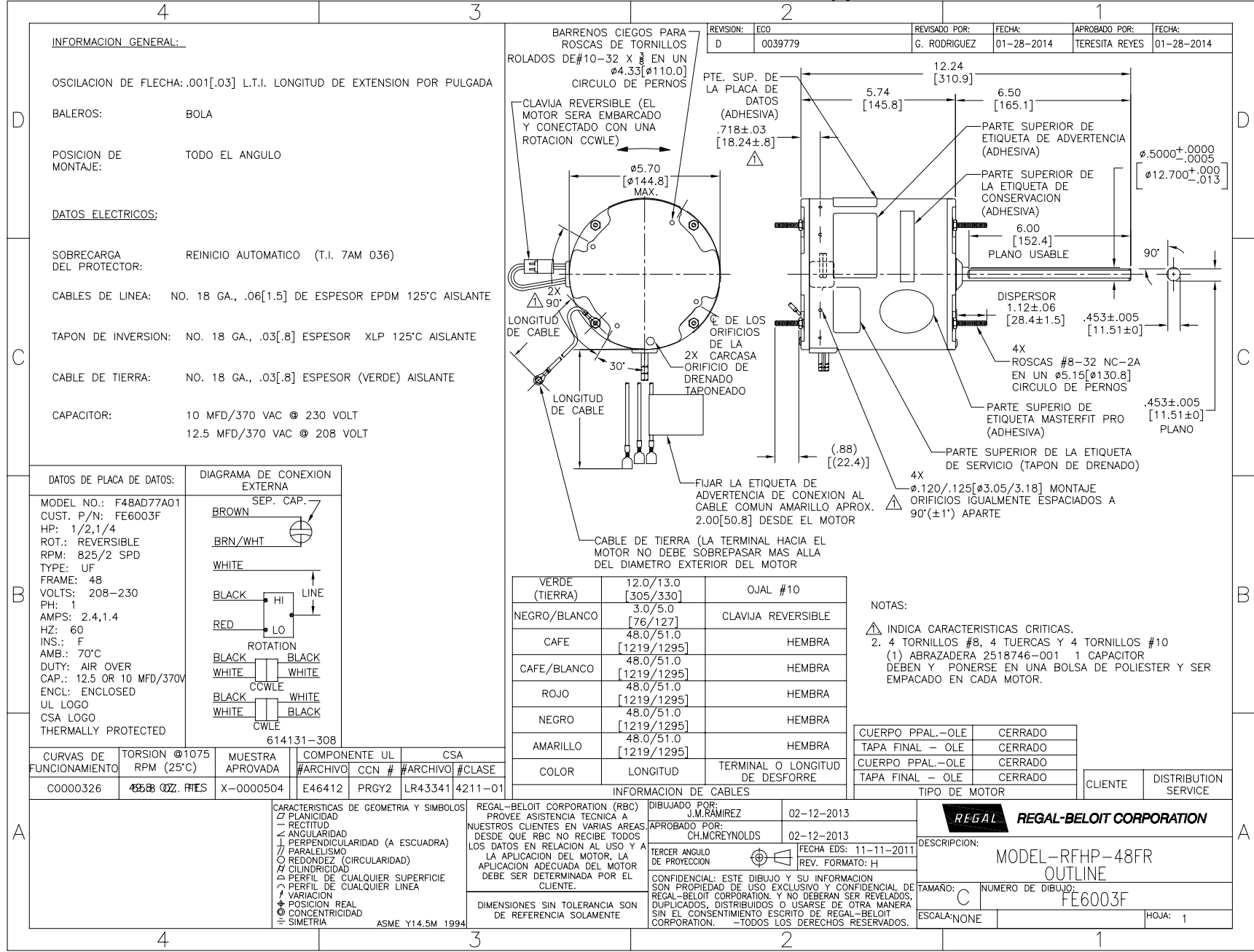
CONFIDENTIAL: THIS DRAWING AND ITS INFORMATION ARE THE EXCLUSIVE AND CONFIDENTIAL PROPERTY OF REGAL-BELOIT CORPORATION AND ARE NOT TO BE DISCLOSED, DUPLICATED, DISTRIBUTED OR OTHERWISE USED WITHOUT THE WRITTEN CONSENT OF REGAL-BELOIT CORPORATION. -ALL RIGHTS RESERVED.

**REGAL REGAL-BELOIT CORPORATION**

DESCRIPTION: MODEL-RFHP-48FR OUTLINE

SIZE: C DWG NO: FE6003F

SCALE: NONE SHEET: 1

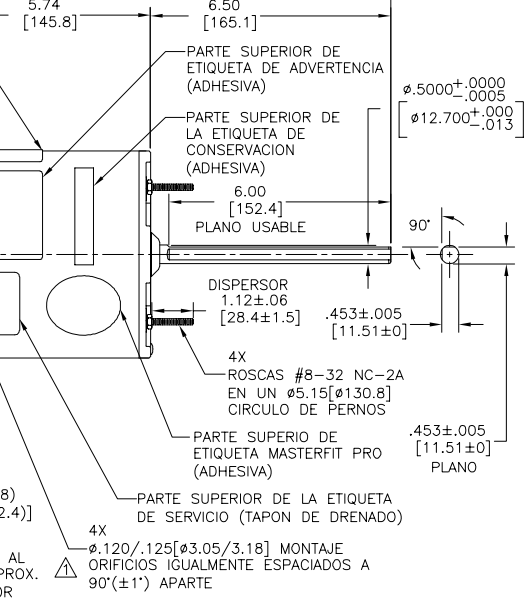
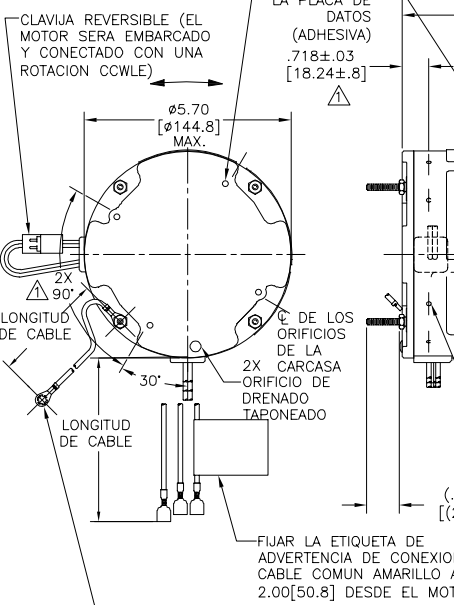


**INFORMACION GENERAL:**  
 OSCILACION DE FLECHA: .001[.03] L.T.I. LONGITUD DE EXTENSION POR PULGADA  
 BALEROS: BOLA  
 POSICION DE MONTAJE: TODO EL ANGULO

**DATOS ELECTRICOS:**  
 SOBRECARGA DEL PROTECTOR: REINICIO AUTOMATICO (T.I. 7AM 036)  
 CABLES DE LINEA: NO. 18 GA., .06[1.5] DE ESPESOR EPDM 125°C AISLANTE  
 TAPON DE INVERSION: NO. 18 GA., .03[.8] ESPESOR XLP 125°C AISLANTE  
 CABLE DE TIERRA: NO. 18 GA., .03[.8] ESPESOR (VERDE) AISLANTE  
 CAPACITOR: 10 MFD/370 VAC @ 230 VOLT  
 12.5 MFD/370 VAC @ 208 VOLT

REVISION: ECO	REVISADO POR: G. RODRIGUEZ	FECHA: 01-28-2014	APROBADO POR: TERESITA REYES	FECHA: 01-28-2014
D	0039779			

BARRENOS CIEGOS PARA ROSCAS DE TORNILLOS ROLADOS DE #10-32 X  $\frac{3}{8}$  EN UN  $\phi 4.33[\phi 110.0]$  CIRCULO DE PERNOS

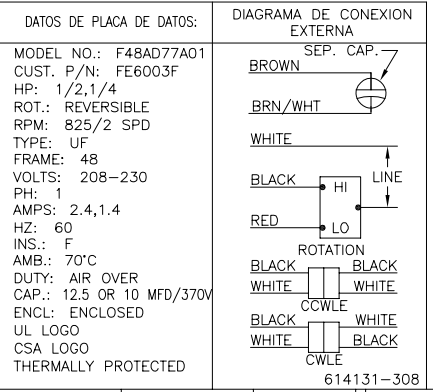


VERDE (TIERRA)	12.0/13.0 [305/330]	OJAL #10
NEGRO/BLANCO	3.0/5.0 [76/127]	CLAVIJA REVERSIBLE
CAFE	48.0/51.0 [1219/1295]	HEMBRA
CAFE/BLANCO	48.0/51.0 [1219/1295]	HEMBRA
ROJO	48.0/51.0 [1219/1295]	HEMBRA
NEGRO	48.0/51.0 [1219/1295]	HEMBRA
AMARILLO	48.0/51.0 [1219/1295]	HEMBRA
COLOR	LONGITUD	TERMINAL O LONGITUD DE DESFORRE

NOTAS:  
 Δ INDICA CARACTERISTICAS CRITICAS.  
 2. 4 TORNILLOS #8, 4 TUERCAS Y 4 TORNILLOS #10 (1) ABRAZADERA 2518746-001 1 CAPACITOR DEBEN Y PONERSE EN UNA BOLSA DE POLIESTER Y SER EMPACADO EN CADA MOTOR.

CUERPO PPAL.-OLE	CERRADO
TAPA FINAL - OLE	CERRADO
CUERPO PPAL.-OLE	CERRADO
TAPA FINAL - OLE	CERRADO

CLIENTE	DISTRIBUTION SERVICE
---------	----------------------



CURVAS DE FUNCIONAMIENTO	TORSION @1075 RPM (25°C)	MUESTRA APROVADA	COMPONENTE UL	CSA
C0000326	4558 OZ. PES	X-0000504	E46412 PRGY2	LR43341 4211-01

**INFORMACION DE CABLES**

CARACTERISTICAS DE GEOMETRIA Y SIMBOLOS:  
 ▽ PLANICIDAD  
 ⊥ RECTITUD  
 ∠ ANGULARIDAD  
 ⊥ PERPENDICULARIDAD (A ESCUADRA)  
 // PARALELISMO  
 ○ REDONDEZ (CIRCULARIDAD)  
 ∅ CILINDRICIDAD  
 ⊖ PERFIL DE CUALQUIER SUPERFICIE  
 ⊖ PERFIL DE CUALQUIER LINEA  
 ∠ VARIACION  
 ⊕ POSICION REAL  
 ⊕ CONCENTRICIDAD  
 ⊖ SIMETRIA

ASME Y14.5M 1994

REGAL-BELOIT CORPORATION (RBC) PROVEE ASISTENCIA TECNICA A NUESTROS CLIENTES EN VARIAS AREAS. DESDE QUE RBC NO RECIBE TODOS LOS DATOS EN RELACION AL USO Y A LA APLICACION DEL MOTOR, LA APLICACION ADECUADA DEL MOTOR DEBE SER DETERMINADA POR EL CLIENTE.

DIMENSIONES SIN TOLERANCIA SON DE REFERENCIA SOLAMENTE

DIBUJADO POR: J.M. RAMIREZ 02-12-2013  
 APROBADO POR: CH. McREYNOLDS 02-12-2013  
 TERCER ANGULO DE PROYECCION  
 FECHA EDS: 11-11-2011  
 REV. FORMATO: H

CONFIDENCIAL: ESTE DIBUJO Y SU INFORMACION SON PROPIEDAD DE USO EXCLUSIVO Y CONFIDENCIAL DE REGAL-BELOIT CORPORATION. Y NO DEBERAN SER REVELADOS, DUPLICADOS, DISTRIBUIDOS O USARSE DE OTRA MANERA SIN EL CONSENTIMIENTO ESCRITO DE REGAL-BELOIT CORPORATION. -TODOS LOS DERECHOS RESERVADOS.

**REGAL REGAL-BELOIT CORPORATION**

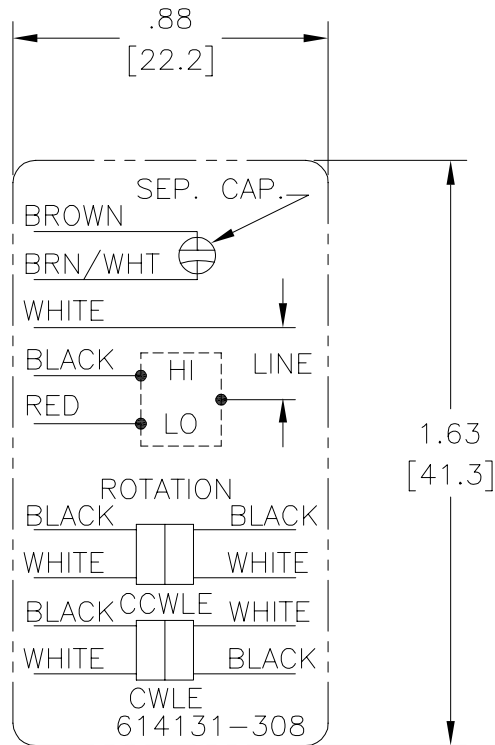
DESCRIPCION: MODEL-RFHP-48FR OUTLINE

TAMAÑO: C NUMERO DE DIBUJO: FE6003F

ESCALA: NONE HOJA: 1

# Uncontrolled Copy

REV	ECO	REV BY	DATE	APPD	DATE
B	ECO-0021670	jrupert	07-22-2011	jrupert	07-22-2011



**NOTES:**

1. FOR USE WITH 614129 NAMEPLATE BLANK
2. — — — — — INDICATES DIMENSION LIMITS
3. DIE TO BE MADE FROM MASTER SUPPLIED BY A. O. SMITH CORPORATION
4. DIE MUST PRODUCE A LEGIBLE IMPRESSION.

**GEOMETRIC CHARACTERISTICS & SYMBOLS**

- ▭ FLATNESS
- STRAIGHTNESS
- ∠ ANGULARITY
- ⊥ PERPENDICULARITY (SQUARENESS)
- ∥ PARALLELISM
- ROUNDNESS (CIRCULARITY)
- ⊘ CYLINDRICITY
- △ PROFILE OF ANY SURFACE
- ▽ PROFILE OF ANY LINE
- ⌀ RUNOUT
- ⊕ TRUE POSITION
- ⊙ CONCENTRICITY
- ≡ SYMMETRY

**UNLESS OTHERWISE SPECIFIED DIM. TOLERANCES ARE AS FOLLOWS:**

INCH	±.1	±.02	±.005	±.0005
mm	±0.5	±0.13	±0.013	

ANG. ±.50 DEG

REMOVE BURRS & BREAK SHARP EDGES:  
INCH .003-.015 mm 0.1-0.4

CORNER FILLETS TO:  
INCH .020 mm 0.5

MACHINE SURFACES:  
INCH 125 mm 3.2

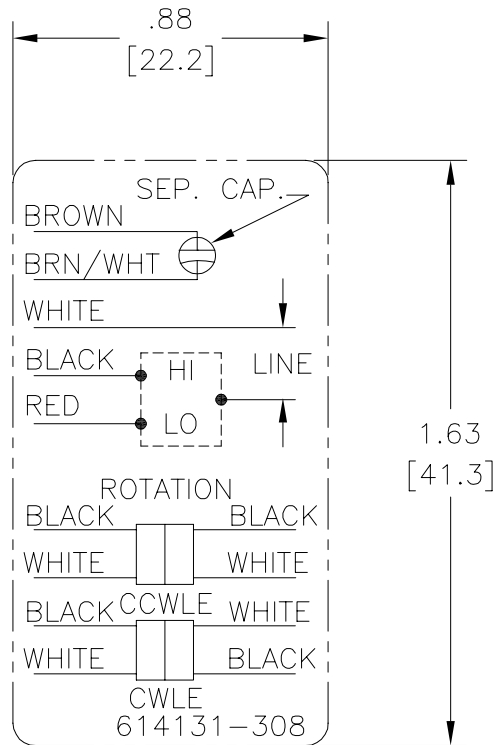
METRIC DIMS. SHOWN IN [BRACKETS]

DR BY:	jrupert	DATE	07-22-2011
APPD:	jrupert	DATE	07-22-2011
THIRD ANGLE PROJECTION		EDS DATE	02-22-2008
		FORMAT	REV F
<p>CONFIDENTIAL: THIS DRAWING AND ITS INFORMATION ARE THE EXCLUSIVE AND CONFIDENTIAL PROPERTY OF A.O. SMITH CORP. AND ARE NOT TO BE DISCLOSED, DUPLICATED, DISTRIBUTED OR OTHERWISE USED WITHOUT THE WRITTEN CONSENT OF A.O. SMITH CORP.</p> <p style="text-align: right;">-ALL RIGHTS RESERVED. ASME Y14.5M 1994</p>			

		<b>ELECTRICAL PRODUCTS COMPANY</b>	
<small>innovation has a name.</small>		<small>A DIVISION OF A. O. SMITH CORPORATION</small>	
DESCRIPTION			
CONN DIAGRAM NAMEPLATE			
SIZE	A	DWG NO	614131-308
SCALE	NONE		SHEET 1

# Uncontrolled Copy

REVISION:	ECO	REVISADO POR:	FECHA:	APROBADO POR:	FECHA:
B	ECO-0021670	jrupert	07-22-2011	jrupert	07-22-2011



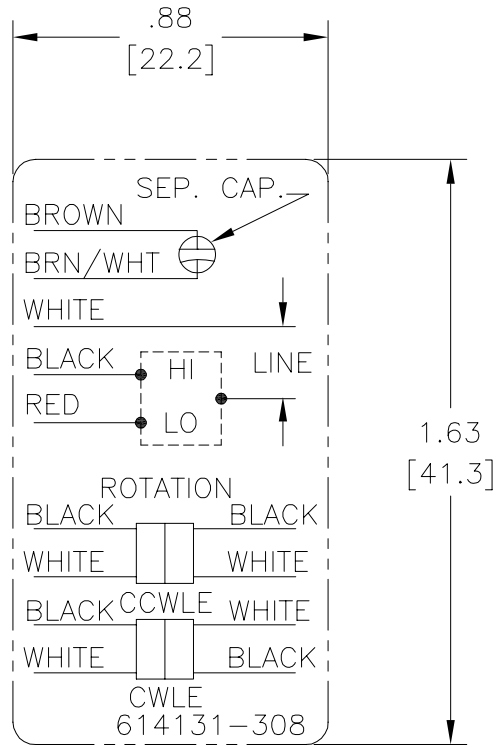
**NOTES:**

1. FOR USE WITH 614129 NAMEPLATE BLANK
2. — — — — — INDICATES DIMENSION LIMITS
3. DIE TO BE MADE FROM MASTER SUPPLIED BY A. O. SMITH CORPORATION
4. DIE MUST PRODUCE A LEGIBLE IMPRESSION.

CARACTERISTICAS DE GEOMETRIA Y SIMBOLOS Z PLANICIDAD — RECTITUD < ANGULARIDAD ⊥ PERPENDICULARIDAD (A ESCUADRA) // PARALELISMO ○ REDONDEZ (CIRCULARIDAD) ∅ CILINDRICIDAD △ PERFIL DE CUALQUIER SUPERFICIE ∩ PERFIL DE CUALQUIER LINEA / VARIACION ⊕ POSICION REAL ⊙ CONCENTRICIDAD = SIMETRIA	A MENOS QUE SE ESPECIFIQUE DE OTRA MANERA, LAS TOLERANCIAS DE LAS DIMS. SON LAS SIGUIENTES: x xx xxx xxxx PULG ±.1 ±.02 ±.005 ±.0005 mm ±0.5 ±0.13 ±0.013 ANG. ±.50 GRADOS ELIMINAR REBABAS Y ORILLAS FILOSAS DEL BORDE. PULG .003-.015 mm 0.1-0.4 FILETEAR ESQUINA: PULG .020 mm 0.5 MAQUINAR SUPERFICIES PULG 125 mm 3.2 DIMS METRICAS MOSTRADAS [PARENTESIS]	DIBUJADO POR: jrupert	07-22-2011	<b>ELECTRICAL PRODUCTS COMPANY</b> <small>A DIVISION OF A. O. SMITH CORPORATION</small> DESCRIPCION: CONN DIAGRAM NAMEPLATE TAMAÑO: A    NUMERO DE DIBUJO: 614131-308 ESCALA: NONE    HOJA: 1	
	APROBADO POR: jrupert	07-22-2011	TERCER ANGULO DE PROYECCION 		FECHA EDS: 02-22-2008 REV. FORMATO: F
	CONFIDENCIAL: ESTE DIBUJO Y SU INFORMACION SON PROPIEDAD DE USO EXCLUSIVO Y CONFIDENCIAL DE A.O.SMITH CORP. Y NO DEBERAN SER REVELADOS, DUPLICADOS, DISTRIBUIDOS O USARSE DE OTRA MANERA SIN EL CONSENTIMIENTO ESCRITO DE A.O. SMITH CORP. -TODOS LOS DERECHOS RESERVADOS.ASME Y14.5M 1994				

# Uncontrolled Copy

版本	ECO	编制	日期	批准	日期
B	ECO-0021670	jrupert	07-22-2011	jrupert	07-22-2011



**NOTES:**

1. FOR USE WITH 614129 NAMEPLATE BLANK
2. — — — — — INDICATES DIMENSION LIMITS
3. DIE TO BE MADE FROM MASTER SUPPLIED BY A. O. SMITH CORPORATION
4. DIE MUST PRODUCE A LEGIBLE IMPRESSION.

形位公差 □ 平面度 — 直线度 ∠ 倾斜度 ⊥ 垂直度 // 平行度 ○ 圆度 ⊙ 圆柱度 面轮廓度 线轮廓度 圆跳动 位置度 同轴度 对称度	除另有注明 尺寸公差如下: 英寸 X XX XXX XXXX 毫米 ±.1 ±.02 ±.005 ±.0005 毫米 ±0.5 ±0.13 ±0.013 角度 ±.50 度 清理毛刺和尖棱 英寸 .003-.015 毫米 0.1-0.4 内圆角 英寸 .020 毫米 0.5 表面粗糙度 英制 125 米制 3.2 米制尺寸显示在 [ ]	绘图: jrupert 批准: jrupert 第三角投影	07-22-2011 07-22-2011 图纸格式发布日期 02-22-2008 图纸格式版本 F	<b>ELECTRICAL PRODUCTS COMPANY</b> <small>A DIVISION OF A. O. SMITH CORPORATION</small> 名称 CONN DIAGRAM NAMEPLATE 图幅 A 图号 614131-308 比例 NONE 页号 1
	机密: 本图纸及相关信息所有权归A. O. SMITH公司所有。 未经A. O. SMITH公司书面授权, 不得泄露、复制、传播或作 其他用途。--版权所有			
	ASME Y14.5M 1994			